

3900 Series Trim Conversion Installation Instructions

TOOLS NEEDED:

Level



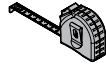
Slotted screwdriver



Hex wrench

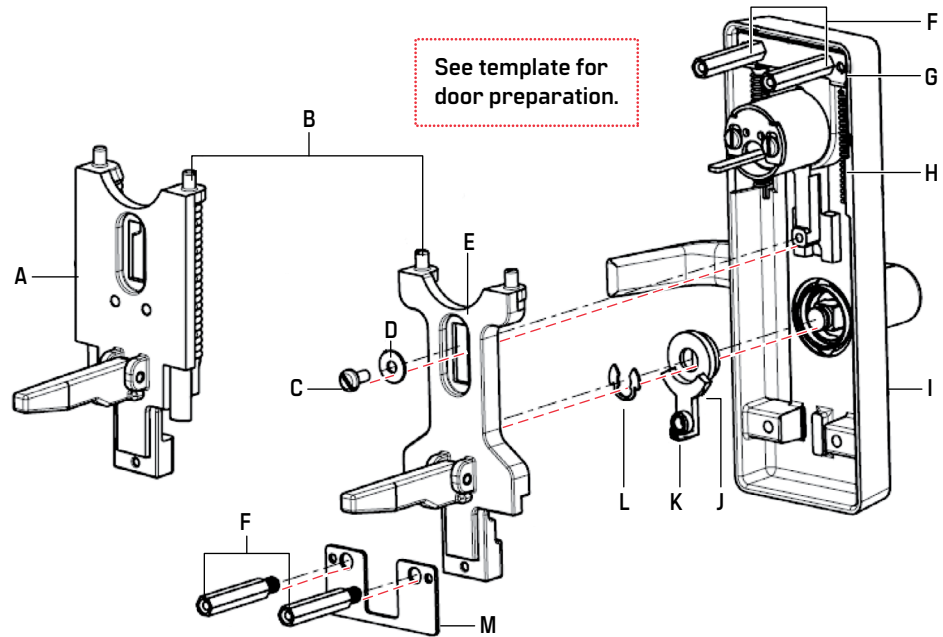


Tape measure



OVERVIEW

- A** Vandal yoke assembly
- B** Bosses
- C** Pan head screws
- D** Washer
- E** Yoke assembly
- F** Hex studs (x4)
- G** Spring bracket
- H** Springs
- I** Trim plate
- J** Beam
- K** Roller
- L** Retaining ring
- M** Bottom hold down



1 CHANGING 3902/3903 TRIM TO 3908/3914 KIT #FC-08 OR VFC-08

1.1 See appropriate template for door preparation.

Disassemble

- 1.2 Disengage beam from lever by removing retaining ring.
- 1.3 Remove top and bottom hex studs.

Reassemble

- 1.1 Rotate beam 180° and secure to lever with retaining ring.
- 1.2 Place roller onto beam.
- 1.3 Attach spring bracket and springs with top studs as shown.
- 1.4 Insert yoke bosses into springs, then push up to seat yoke assembly into trim plate and secure with screw and washer.
- 1.5 Secure bottom hold-down with hex studs.

2 CHANGING 3908 TO V39038 KIT #B-39-01

2.1 See appropriate template for door preparation.

Disassemble

- 2.2 Remove bottom hex studs and hold-down.
- 2.3 Pull out yoke assembly by removing screw and washer.

Reassemble

- 2.1 Insert vandal yoke bosses into springs and push up to seat yoke assembly into trim plate.
- 2.2 Secure with screw and washer.
- 2.3 Secure bottom hold-down with hex studs.



Document translations available.

Scan for product details and downloads.

Call 1-800-392-5209 or visit

<https://dhwsupport.dormakaba.com/hc/en-us>

for assistance and warranty information.

⚠ WARNING! This Manufacturer advises that no lock can provide complete security by itself. This lock may be defeated by forcible or technical means, or evaded by entry elsewhere on the property. No lock can substitute for caution, awareness of your environment, and common sense. Builder's hardware is available in multiple performance grades to suit the application. In order to enhance security and reduce risk, you should consult a qualified locksmith or other security professional.