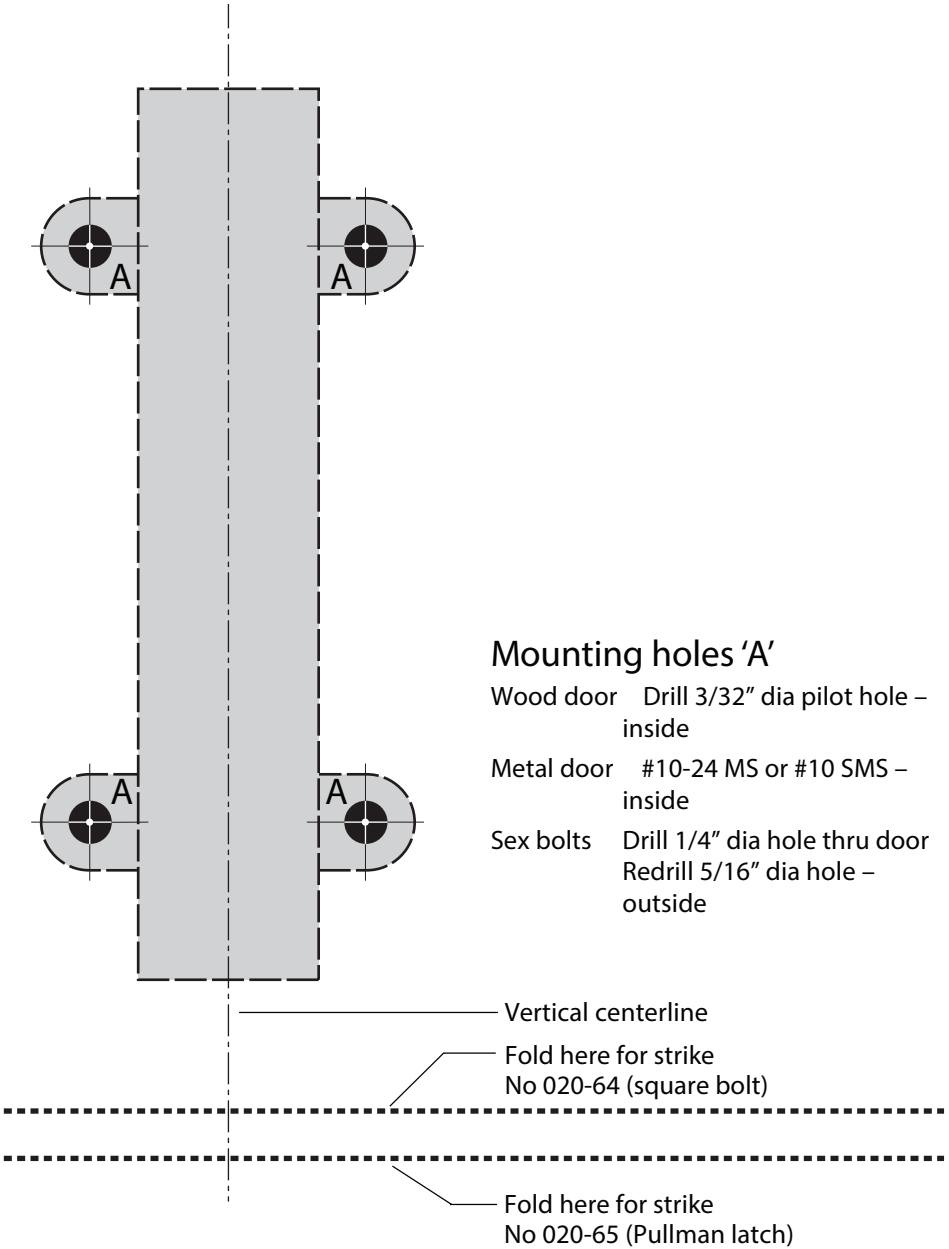


TOT-4A Bottom H-Latch Template
2200, FL2200, 200 & FL200 Series



Not to scale 1:1.

Measurements are for reference only.