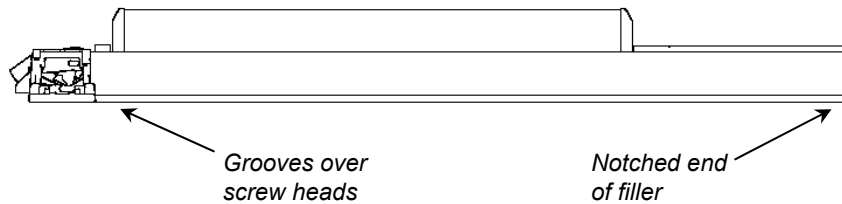
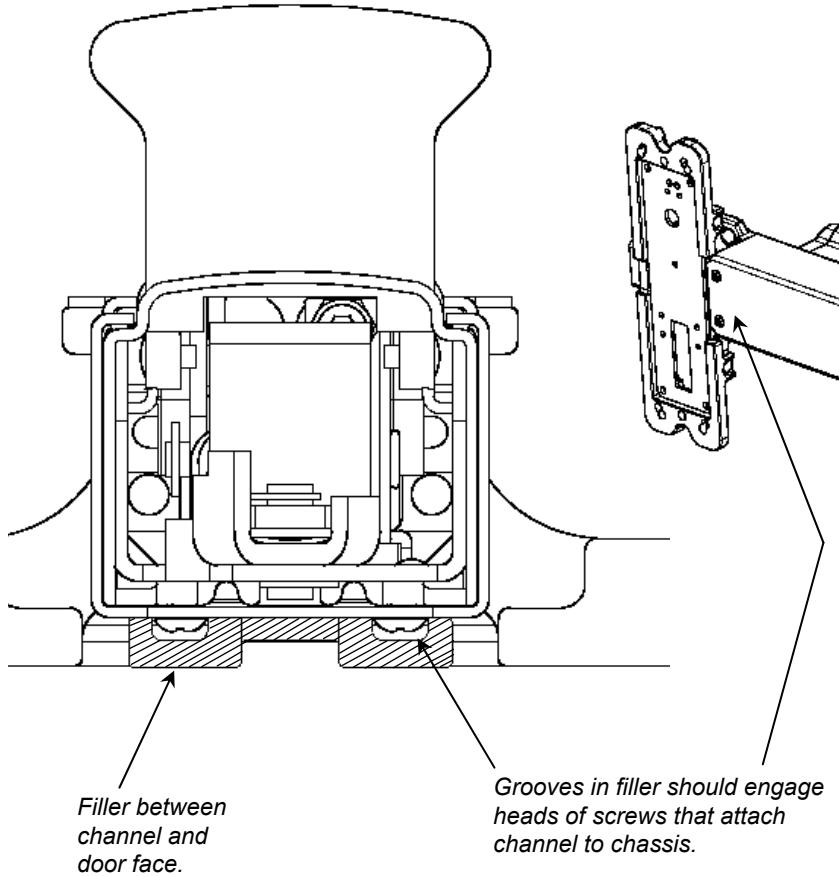




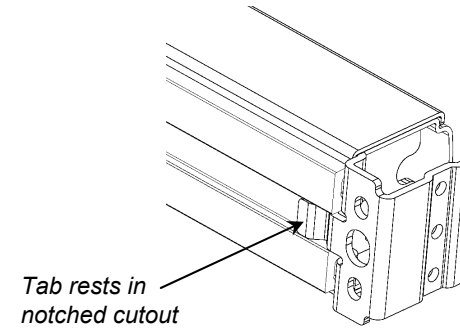
4

**APEX:** Insert filler behind channel with single-groove-side against door face and notched end toward hinge.



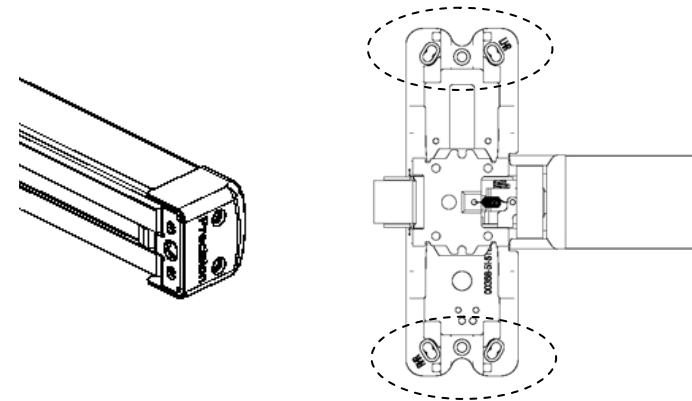
5

**APEX:** Re-install endcap mounting bracket to door, engaging bracket tab into filler notch.



6

**APEX:** Re-install device endcap to mounting bracket and re-tighten chassis mounting screws.

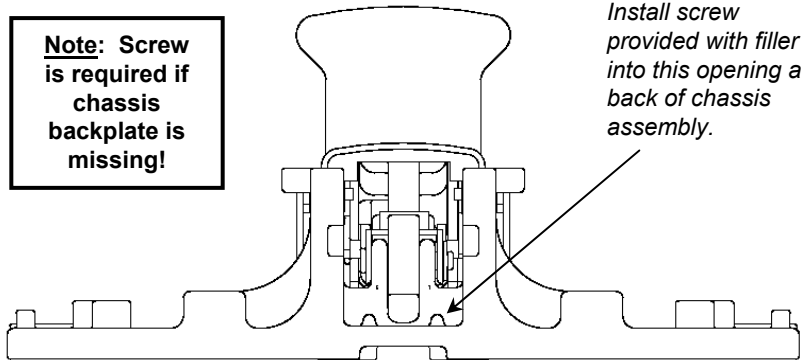


7

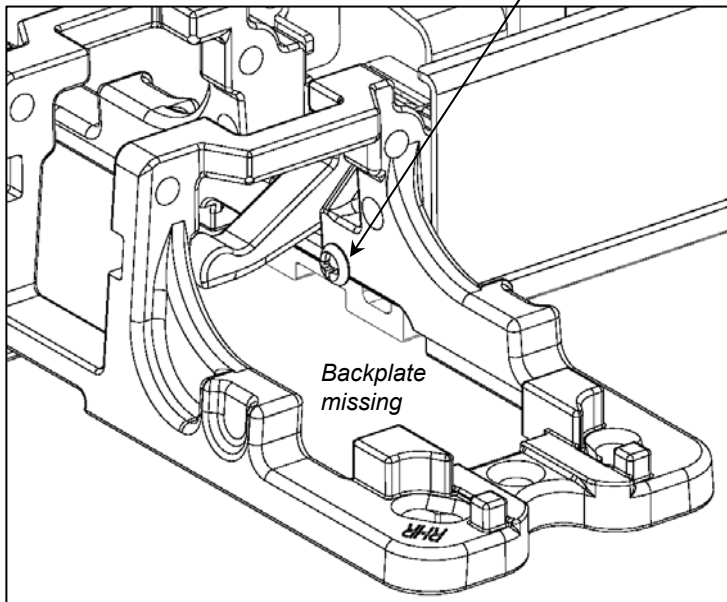
**APEX:** Install retainer screw (only required for devices without a chassis backplate, such as 2300 Series mortise devices).

**Note:** Screw is required if chassis backplate is missing!

Install screw provided with filler into this opening at back of chassis assembly.

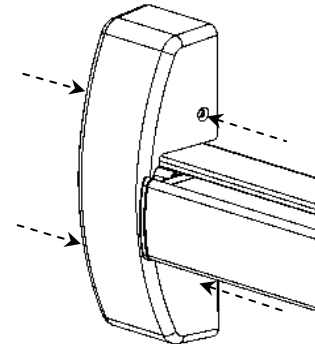


Screw acts as horizontal stop if backplate is not installed.



8

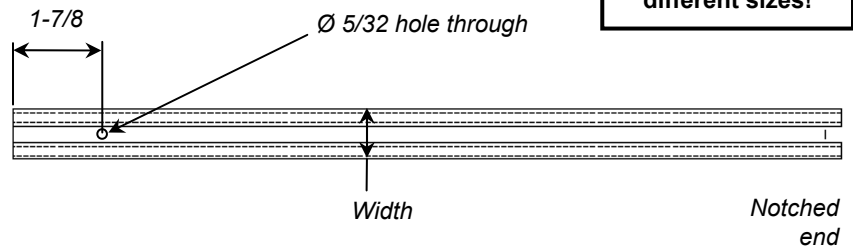
**APEX:** Re-install chassis cover and test device function.



9

**RELIANT:** Drill hole through filler, centered across width, for screw attachment to channel.

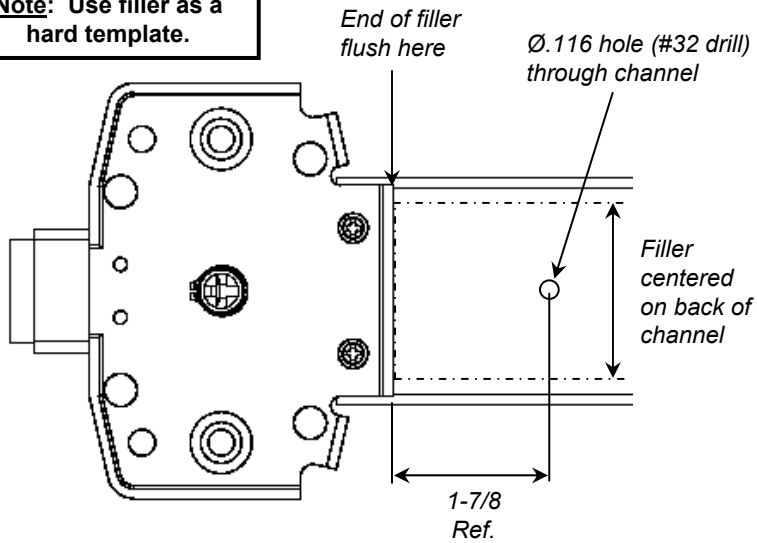
**Note:** Holes drilled in steps 9 and 10 are different sizes!



10

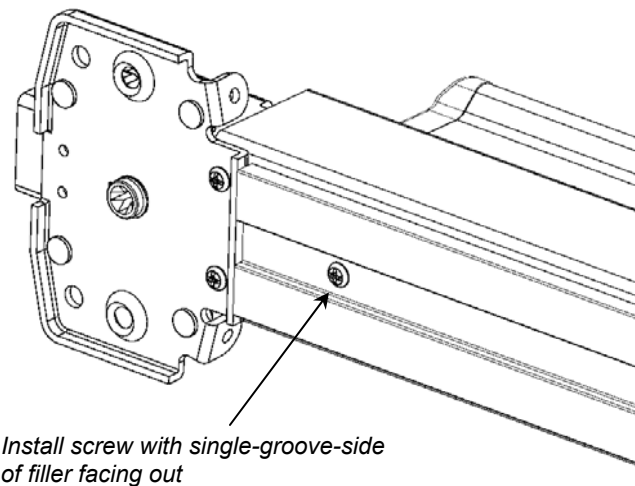
**RELIANT:** Drill hole through channel to receive sheet metal screw. (Device must be removed from door.)

**Note:** Use filler as a hard template.



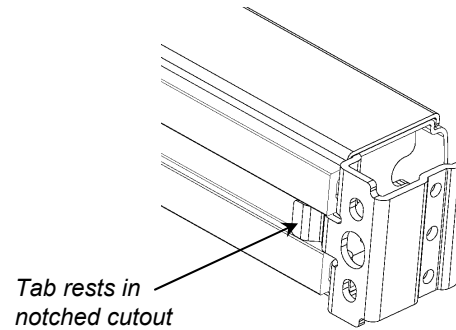
11

**RELIANT:** Attach filler to channel as shown with sheet metal screw provided.



12

**RELIANT:** Install device to door, engaging endcap mounting bracket tab into filler notch.



13

**RELIANT:** Install device endcap and chassis cover, then test device for proper function.

*This space intentionally left blank.*