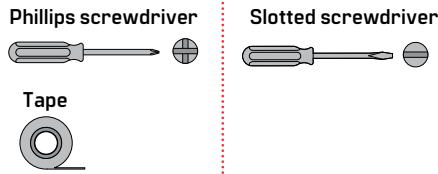
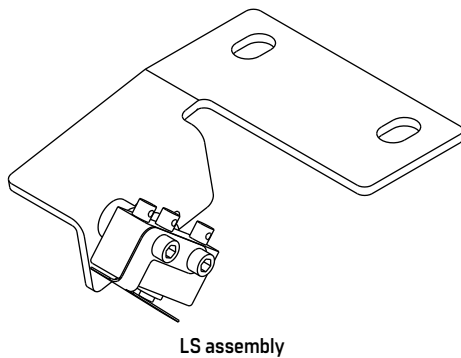


Latch Bolt Monitoring for Vertical Rod Devices LSVK910 Conversion Kit Installation Instructions

TOOLS NEEDED:



OVERVIEW



2 INSTALLING LATCH BOLT MONITORING ASSEMBLY

- 2.1 Remove two #8-32 MS top plate screws and install latch bolt monitoring assembly, as shown in Fig. 4.
- 2.2 Position switch leaf under "Top" side of rod carriage cutout, as shown in Fig. 5.

NOTE: When rod carriage is pushed up, a switch closure should appear across tan and yellow wires.

Figure 4

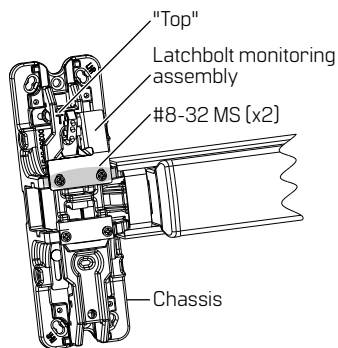
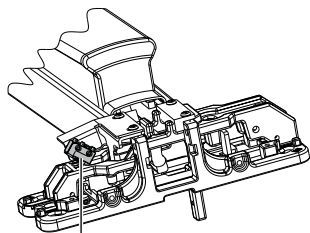


Figure 5



Switch leaf should be resting on cutout of rod carriage.

1 REMOVING CHANNEL

- 1.1 Remove two #8-32 MS channel screws, as shown in Fig. 1.
- 1.2 Loosen set screw, as shown in Fig. 2.
- 1.3 Slide device channel away from chassis, as shown in Fig. 3.

Figure 1

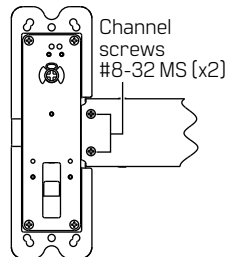


Figure 2

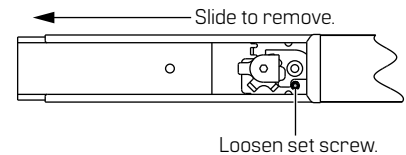


Figure 3

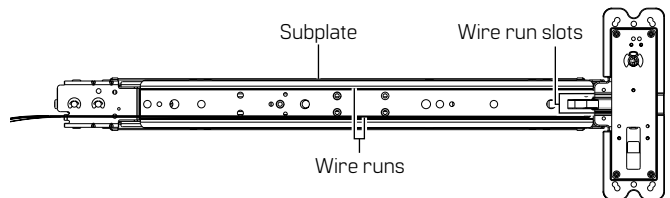


3 ROUTING WIRES AND INSTALLING CHANNEL

- 3.1 Carefully route wires through chassis, into wire run slots, and down subplate, as shown in Fig. 6.
- 3.2 Secure wires with tape.
- 3.3 Slide device channel back onto chassis and secure with two #8-32 MS channel screws.
- 3.4 Tighten set screw and slide in hinge filler.

NOTE: See document T93658 for wiring details and electrical information.

Figure 6



Document translations available.

Scan for product details and downloads.

Call 1-800-392-5209 or visit

<https://dhwsupport.dormakaba.com/hc/en-us>

for assistance and warranty information.

WARNING! This Manufacturer advises that no lock can provide complete security by itself. This lock may be defeated by forcible or technical means, or evaded by entry elsewhere on the property. No lock can substitute for caution, awareness of your environment, and common sense. Builder's hardware is available in multiple performance grades to suit the application. In order to enhance security and reduce risk, you should consult a qualified locksmith or other security professional.