

# Touchbar Monitoring Switch | TSK309, TDSK310 Conversion Kit Installation Instructions

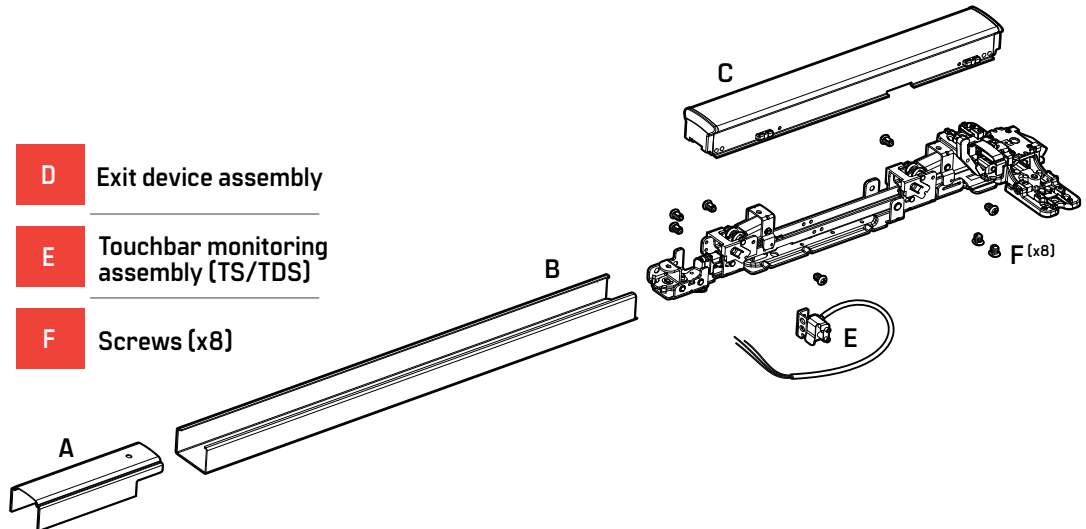
## TOOLS NEEDED

Phillips screwdriver



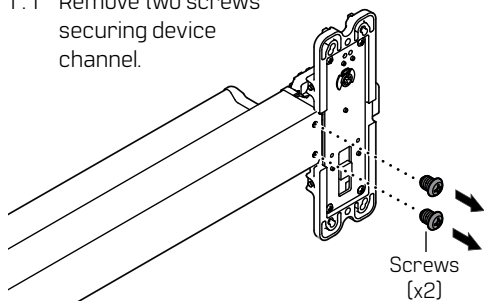
## OVERVIEW

- |                         |  |
|-------------------------|--|
| <b>A</b> Hinge filler   | <b>D</b> Exit device assembly                  |
| <b>B</b> Device channel | <b>E</b> Touchbar monitoring assembly (TS/TDS) |
| <b>C</b> Touchbar       | <b>F</b> Screws (x8)                           |



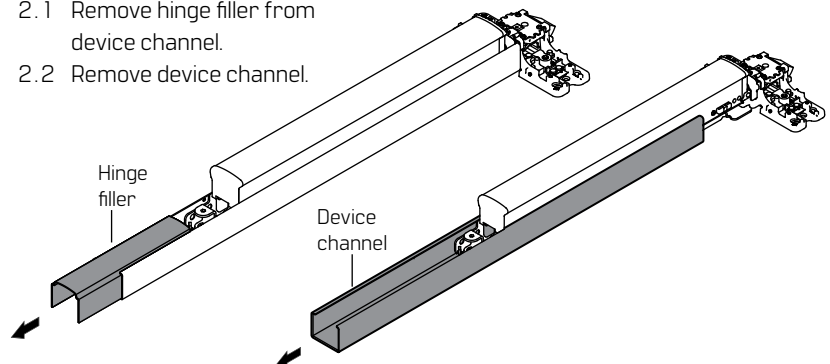
### 1 REMOVING SCREWS

- 1.1 Remove two screws securing device channel.



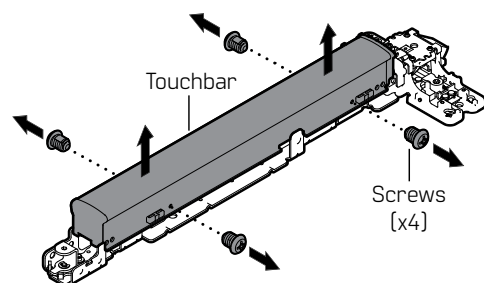
### 2 REMOVING HINGE FILLER AND DEVICE CHANNEL

- 2.1 Remove hinge filler from device channel.  
2.2 Remove device channel.



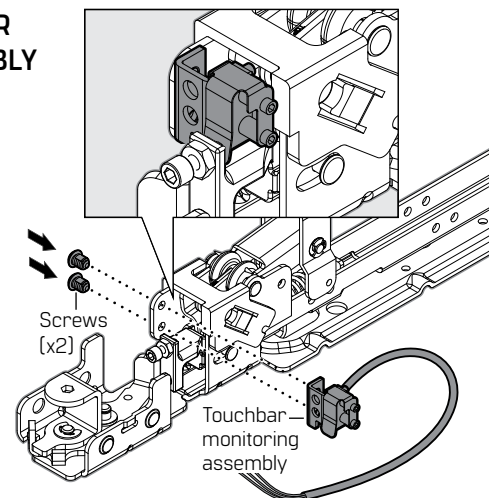
### 3 REMOVING TOUCHBAR

- 3.1 Remove screws (x4) to release touchbar and set aside for use in Step 7.  
3.2 Lift touchbar to remove.



### 4 SECURING TOUCHBAR MONITORING ASSEMBLY

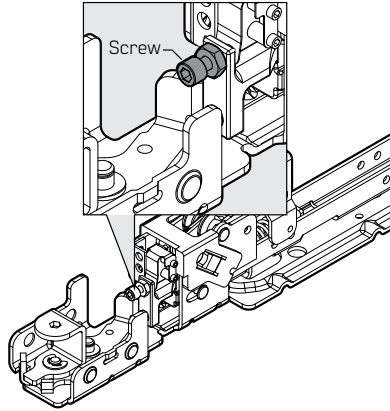
- 4.1 Align holes of touchbar monitoring assembly to bracket and secure with screws (2x)



## 5 ADJUSTING SCREW TO ACTIVATE SWITCH

- 5.1 Adjust screw to activate switch.

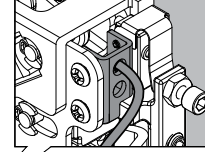
**NOTE:** When adjusting screw, ensure there is no hard contact.



## 6 ROUTING WIRES

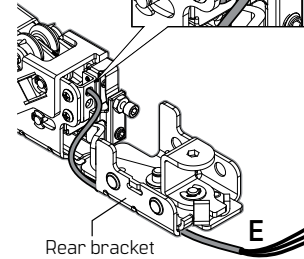
- 6.1 For two hole bracket, route wire through top hole.

**Two hole bracket:**

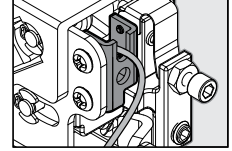


- 6.2 For bracket with a slotted hole, route wires through top slotted hole.

- 6.3 Route wire under rear bracket towards hinge side.

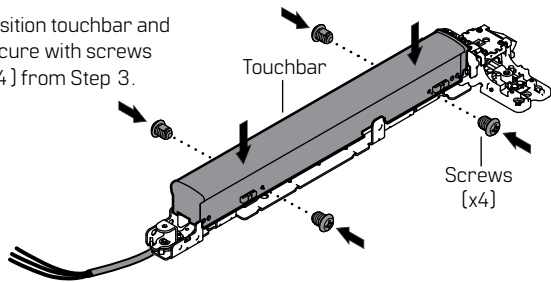


**Slotted hole bracket:**



## 7 REINSTALLING TOUCHBAR

- 7.1 Position touchbar and secure with screws (x4) from Step 3.

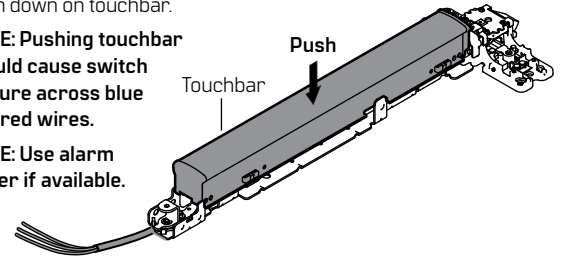


## 8 CHECKING OPERATION

- 8.1 Push down on touchbar.

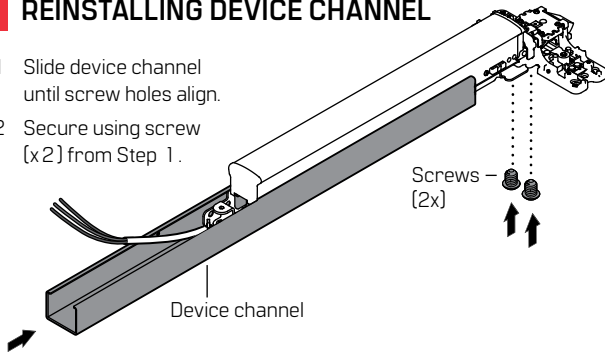
**NOTE:** Pushing touchbar should cause switch closure across blue and red wires.

**NOTE:** Use alarm tester if available.



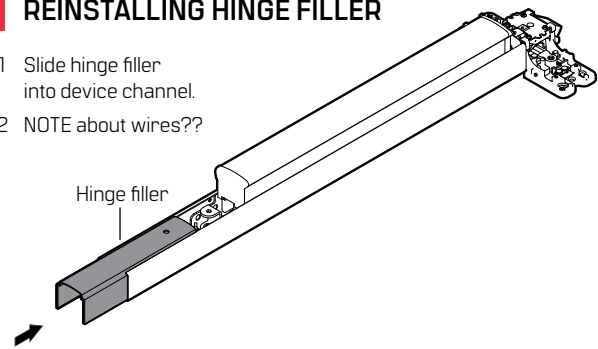
## 9 REINSTALLING DEVICE CHANNEL

- 9.1 Slide device channel until screw holes align.
- 9.2 Secure using screw (x2) from Step 1.



## 10 REINSTALLING HINGE FILLER

- 10.1 Slide hinge filler into device channel.
- 10.2 **NOTE** about wires??



## 11 TS SWITCH WIRING (HINGE SIDE)

Red (normally open)  
Blue (common)  
Violet (normally closed)

E

## 12 TDS SWITCH WIRING (HINGE SIDE) (D.P.D.T OPTION)

**NOTE:** Refer to TS and TDS Series Wiring Details (T93657) for complete wiring installation.

Red/White (normally open)  
Blue/White (common)  
Violet/White (normally closed)

E

Red (normally open)  
Blue (common)  
Violet (normally closed)

E



Document translations available.  
Scan for product details and downloads.  
Call 1-800-392-5209 or visit  
<https://dhwsupport.dormakaba.com/hc/en-us>  
for assistance and warranty information.

**⚠ WARNING!** This Manufacturer advises that no lock can provide complete security by itself. This lock may be defeated by forcible or technical means, or evaded by entry elsewhere on the property. No lock can substitute for caution, awareness of your environment, and common sense. Builder's hardware is available in multiple performance grades to suit the application. In order to enhance security and reduce risk, you should consult a qualified locksmith or other security professional.