

Series: TS, TDS Touchbar Monitoring Switch Installation Instructions

TOOLS NEEDED:

Ruler



Phillips screwdriver



Drill



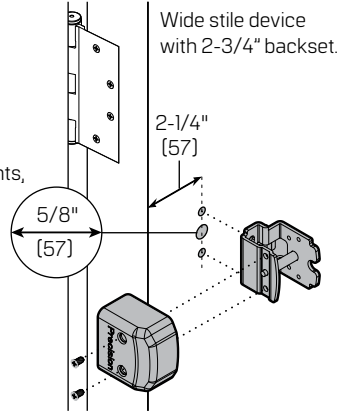
Drill bit

5/8" [57 mm]

1

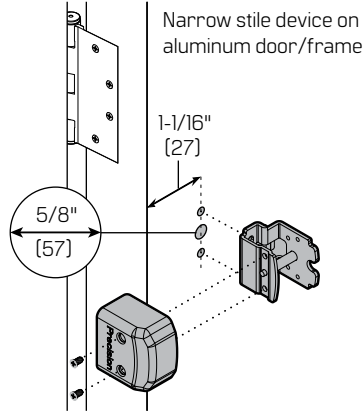
For Standard 3' and 4' Doors.

For installation with mullion and other backset requirements, add/subtract from dimensions shown.



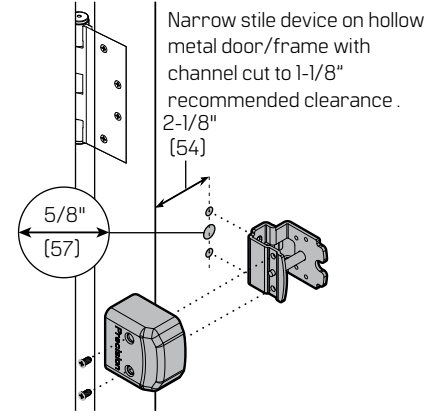
Wide stile device with 2-3/4" backset.

2-1/4" [57]



Narrow stile device on aluminum door/frame

1-1/16" [27]



Narrow stile device on hollow metal door/frame with channel cut to 1-1/8" recommended clearance.

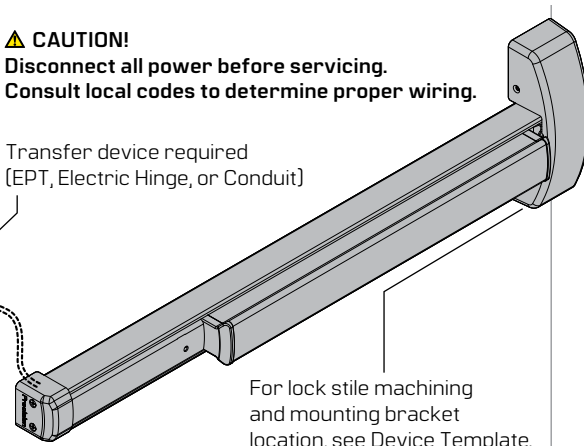
2-1/8" [54]

2 TOUCHBAR, WIRING & HINGE OVERVIEW

CAUTION!
Disconnect all power before servicing.
Consult local codes to determine proper wiring.

Transfer device required
(EPT, Electric Hinge, or Conduit)

Field wiring
(by others)



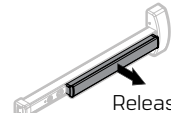
For lock stile machining and mounting bracket location, see Device Template.

3 REMOVING TOUCHBAR

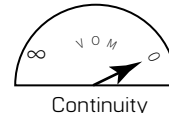
Operation: Normally Open Circuit across red and blue wires.



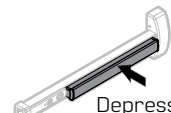
No continuity



Released

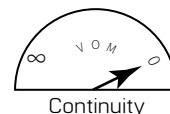


Continuity

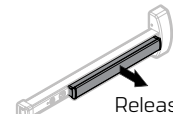


Depressed

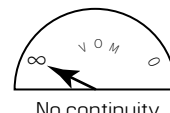
Operation: Normally Closed Circuit across violet and blue wires.



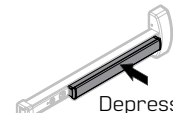
Continuity



Released



No continuity



Depressed

3 TS/TDS SWITCH WIRING

TS Switch wiring from hinge side of device

Red [normally open]
Blue [common]
Violet [normally closed]

TDS Switch wiring from hinge side of device (D.P.D.T. Option)

Red/White [normally open]
Blue/White [common]
Violet/White [normally closed]

Red [normally open]
Blue [common]
Violet [normally closed]



Document translations available.
Scan for product details and downloads.
Call 1-800-392-5209 or visit
<https://dhwsupport.dormakaba.com/hc/en-us>
for assistance and warranty information.

WARNING! This Manufacturer advises that no lock can provide complete security by itself. This lock may be defeated by forcible or technical means, or evaded by entry elsewhere on the property. No lock can substitute for caution, awareness of your environment, and common sense. Builder's hardware is available in multiple performance grades to suit the application. In order to enhance security and reduce risk, you should consult a qualified locksmith or other security professional.