

Latch Bolt Monitoring Switch Installation Instructions

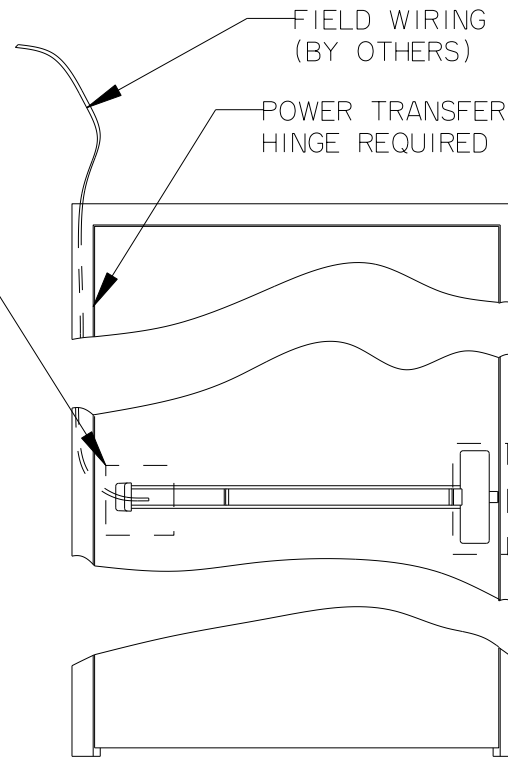
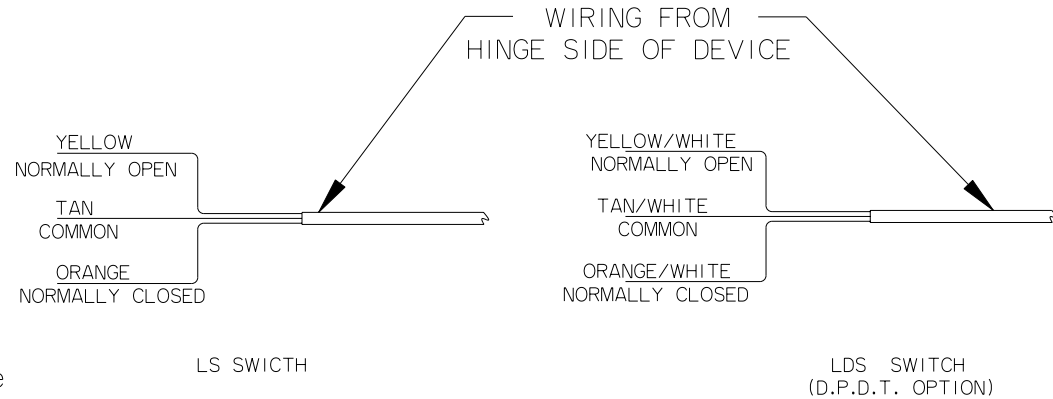
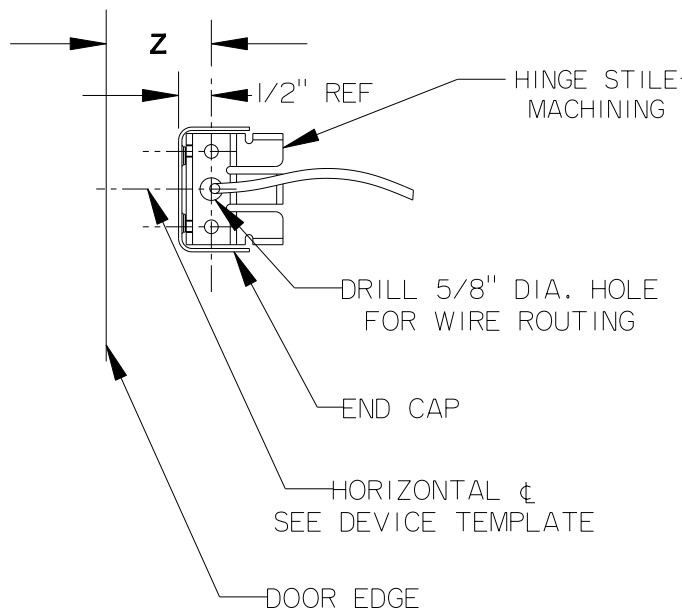
LS and LDS Series Wiring Details

For online instructions, assistance or warranty information:
Call 1-800-392-5209 or visit <https://dhwsupport.dormakaba.com/hc/en-us>

FOR STANDARD 3' OR 4' DOORS:

- Wide stile device with 2-3/4" backset:
Z = 2-1/4"
- Narrow stile device on Aluminum door/frame
with 1-1/16" backset: **Z = 1-1/16"**
- Narrow stile device on Hollow metal door/frame
with channel cut to 1-1/8" recommended clearance
Z = 2-1/8"

(For installation with mullion and other backset requirements, add or subtract from dimension shown.)



WIRING:
Disconnect all power before servicing.
Consult local codes to determine proper wiring

OPERATION:
Normally Open Circuit:
(across tan and yellow wires)
Touchbar Released = open circuit
Touchbar Depressed = closed circuit

Normally Closed Circuit:
(across tan and orange wires)
Touchbar Released = closed circuit
Touchbar Depressed = open circuit

For Lock Stile machining and Mounting Bracket location see Device Template

Not to scale 1:1. Measurements are for reference only.
Not a drilling template.