

# Latch Bolt Monitoring Switch | LS, LDS Wiring Details

**⚠ WARNING! Disconnect all power before servicing.**

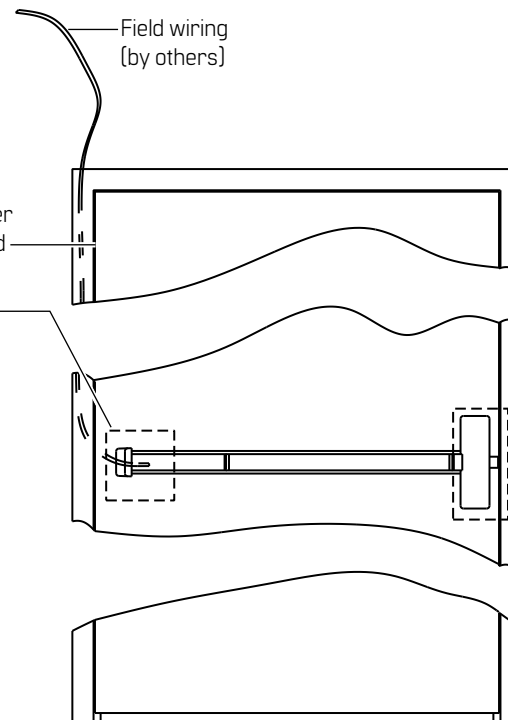
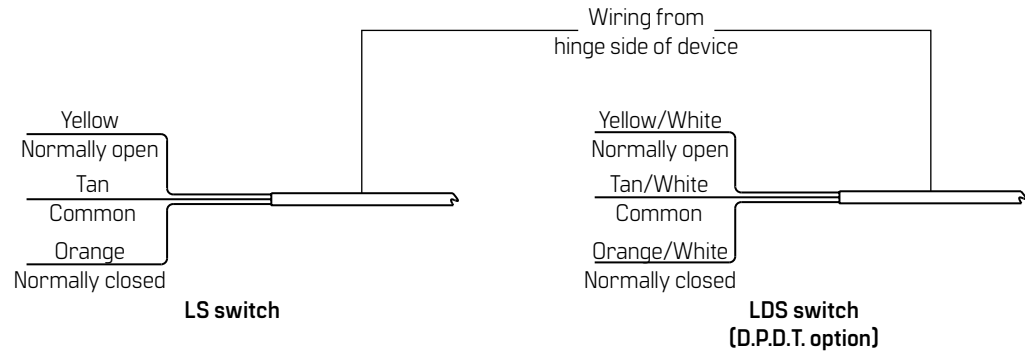
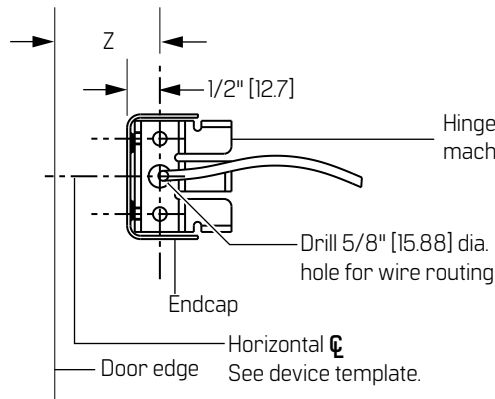
**NOTICE**

Consult local codes to determine proper wiring.

**For standard 3' or 4' doors:**

- Wide stile device with 2-3/4" [69.85] backset:  
Z = 2-1/4" [57.15]
- Narrow stile device on aluminum door/frame with 1-1/16" [26.99] backset:  
Z = 1-1/16" [26.99]
- Narrow stile device on hollow metal door/frame with channel cut to 1-1/8" recommended clearance:  
Z = 2-1/8" [53.98]

**NOTE: For installation with mullion and other backset requirements, add or subtract from dimension shown.**



**Operation**

- Normally open circuit (across tan and yellow wires):
- Touchbar released = open circuit
  - Touchbar depressed = closed circuit
- Normally closed circuit (across tan and orange wires):
- Touchbar released = closed circuit
  - Touchbar depressed = open circuit



Document translations available.  
Scan for product details and downloads.  
Call 1-800-392-5209 or visit  
<https://dhwsupport.dormakaba.com/hc/en-us>  
for assistance and warranty information.

**⚠ WARNING! This Manufacturer advises that no lock can provide complete security by itself. This lock may be defeated by forcible or technical means, or evaded by entry elsewhere on the property. No lock can substitute for caution, awareness of your environment, and common sense. Builder's hardware is available in multiple performance grades to suit the application. In order to enhance security and reduce risk, you should consult a qualified locksmith or other security professional.**