

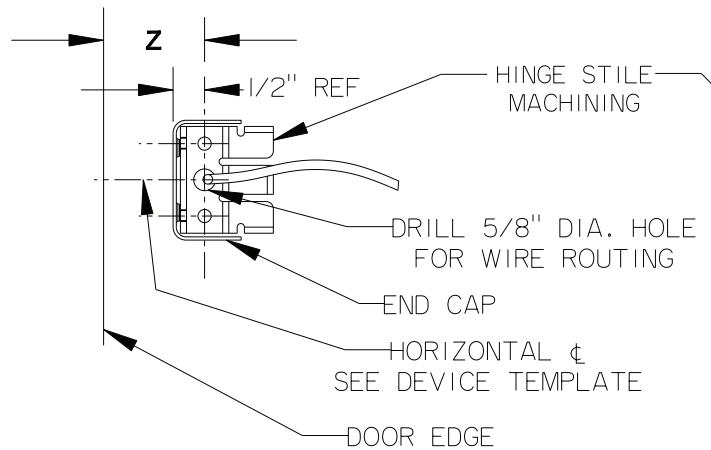
Installation Instructions Electric Latch Retraction Wiring Details

For online instructions, assistance or warranty information:
Call 1-800-392-5209 or visit <https://dhwsupport.dormakaba.com/hc/en-us>

FOR STANDARD 3' OR 4' DOORS:

- Wide stile device with 2-3/4" backset:
Z = 2-1/4"
- Narrow stile device on Aluminum door/frame
with 1-1/16" backset: **Z = 1-1/16"**
- Narrow stile device on Hollow metal door/frame
with channel cut to 1-1/8" recommended clearance
Z = 2-1/8"

(For installation with mullion and other backset requirements, add or subtract from dimension shown.)



NOTE:

- Disconnect all power before servicing.
- Consult local codes to determine proper wiring
- ELR devices requires I50 series power supply
- Refer to installation instruction for detailed wiring

