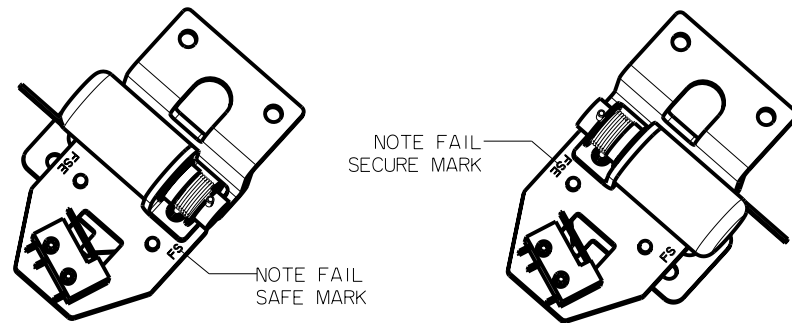
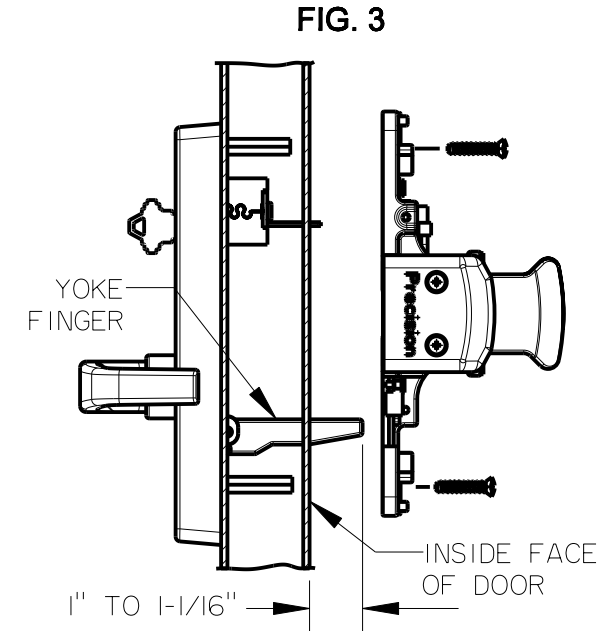
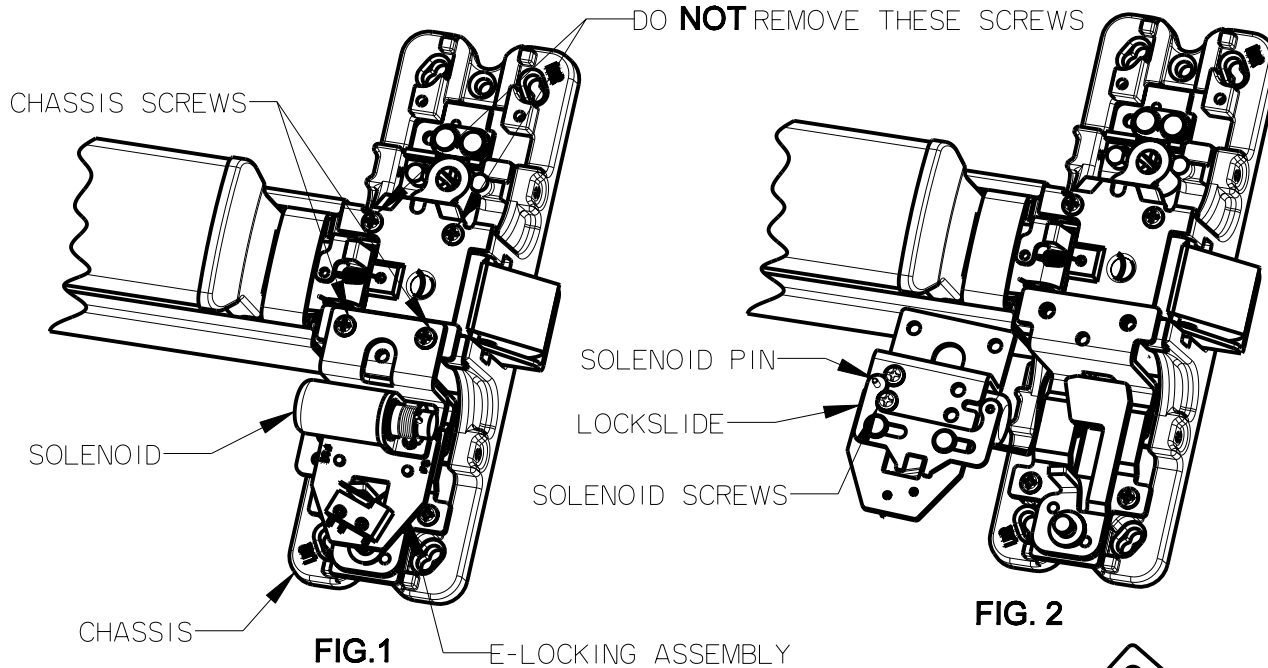


Installation Instructions: E-2103 Electric Rim Device - Lock / Unlock Fail Safe / Fail Secure Conversion

For online instructions, assistance or warranty information:
Call 1-800-392-5209 or visit <https://dhwsupport.dormakaba.com/hc/en-us>



FAIL SAFE
(POWER OFF = TRIM UNLOCKED)

FAIL SECURE
(POWER OFF = TRIM LOCKED)

1. Remove 2 Chassis screws to remove the E-Locking assembly (Fig. 1)
2. Remove 2 Solenoid screws, slide Solenoid pin out of the Lockslide. (Fig. 2)
3. Reassemble with Solenoid pin to opposite side of the Lockslide, reattach with Solenoid screws
4. Reattach E-locking assembly with Chassis screws.