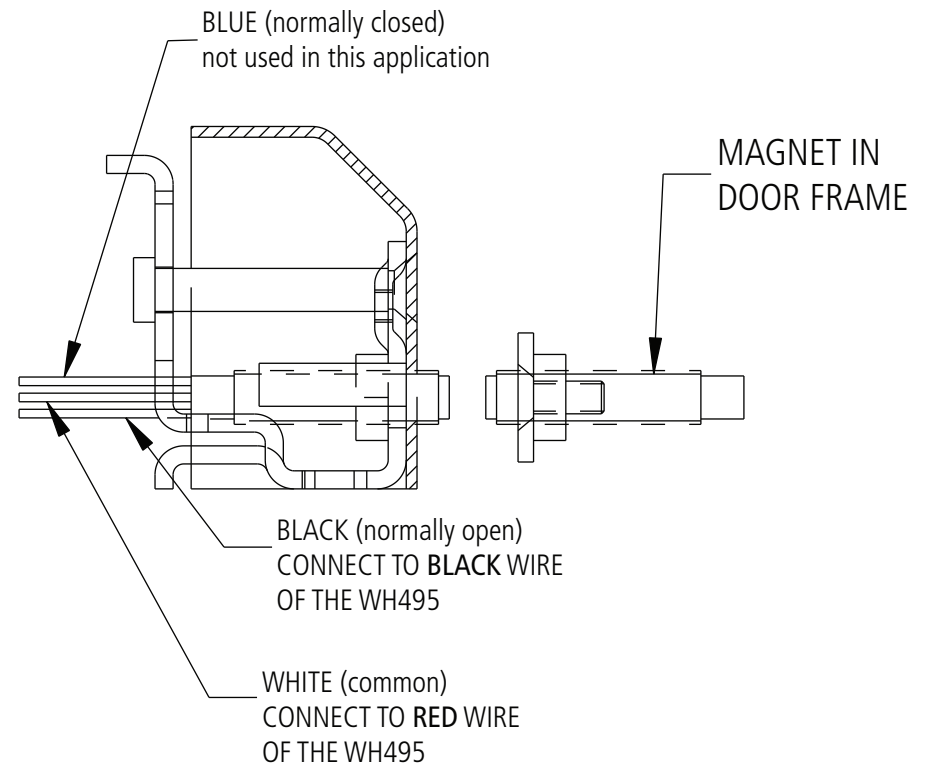
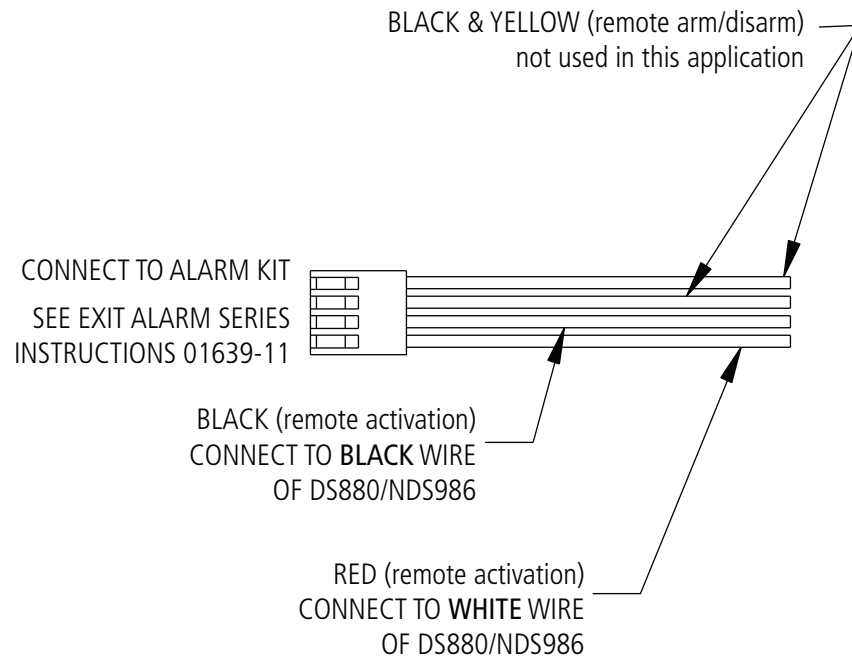


Instructions for Door Position Switch with Alarm Kit

For online instructions, assistance or warranty information:
Call 1-800-392-5209 or visit <https://dhwsupport.dormakaba.com/hc/en-us>

WH495

DS880/NDS986



NOTE:

Recommended gap between the magnet and the door position switch in installed position is 1/16" - 1/8". Please consider the distance between exit device end cap and frame. Depending on your application, the strike, and the template used, the switch and magnet can be adjusted and may extend from the device and/or frame. Please consult the factory for installation consideration.

FUNCTION:

THE DS-170 DOOR POSITION SWITCH WILL TRIGGER AN EXIT ALARM (NOT SHOWN) USING THE WH495 WIRE HARNESS