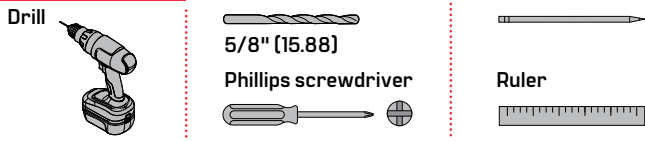


ALK, NALK, ALW and NALW Series Exit Alarm Installation Instructions

TOOLS NEEDED:



Options

NOTE: WH-495 wiring harness and a power transfer are required.

Remote activation

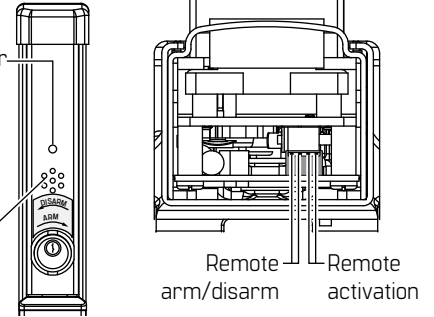
The alarm is triggered by external inputs, such as a door position switch.

Remote arm/disarm

The alarm can be armed or disarmed remotely, such as a control panel.

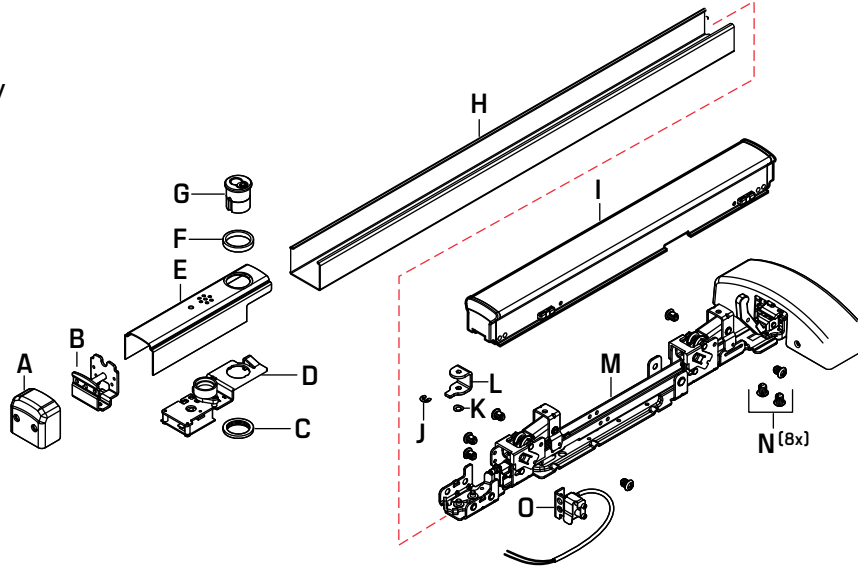
Arm/disarm indicator
Armed
Slow flashing red
Arming (20 sec.)
Flashing green

ALK and NALK units have an audible low battery indicator.



OVERVIEW

- A** Endcap
- B** Bracket
- C** Cylinder nut
- D** Alarm chassis assembly
- E** Filler
- F** Blocking ring
- G** Cylinder
- H** Channel
- I** Touchbar
- J** E-Clip
- K** Spring washer
- L** Dogging bracket
- M** Exit device assembly
- N** Screws (x8)
- O** Touchbar monitoring assembly



Power Requirements

- ALK and NALK are battery operated exit alarms.
- ALW and NALW are remote power-operated exit alarms.
- ALW and NALW require:
 - An external power source of 12VDC to 24VDC or 24VAC at .25A.
 - A power transfer (part no. EPT-2 or EPT-5) or a two-conductor power transfer hinge.

NOTE: Check minimum door width. If door width is less than shown, exit alarm cannot be installed.

Precision 2000 wide stile series

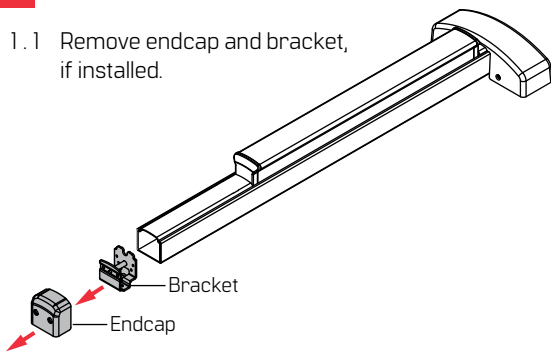
Device length	2'-6" std.	3' std.	4' std.
Minimum door width	30" [762]	36" [914.4]	40" [1016]

Precision 2000 narrow stile series

Device length	2'-6" std.	3' std.	4' std.
Minimum door width	N/A	34" [863.6]	38" [965.2]

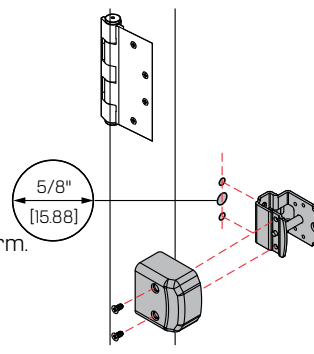
1 REMOVING ENDCAP AND BRACKET

- 1.1 Remove endcap and bracket, if installed.



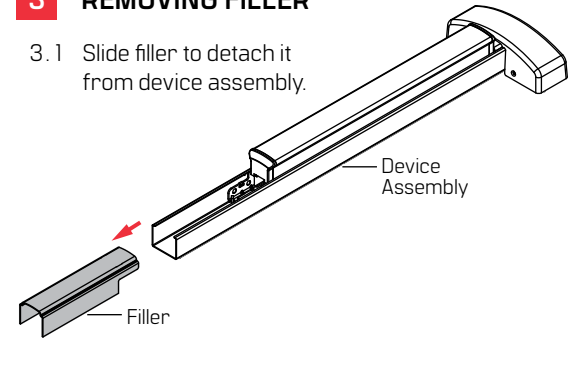
2 DRILLING FOR WIRE ROUTING

- 2.1 Drill a 5/8" (15.88) dia. hole for wire routing during installation if using remote power, remote activation or remote arm/disarm.



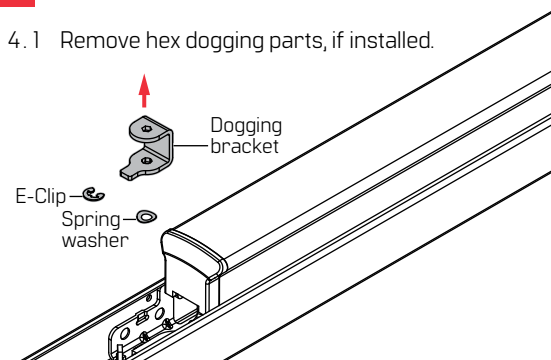
3 REMOVING FILLER

- 3.1 Slide filler to detach it from device assembly.



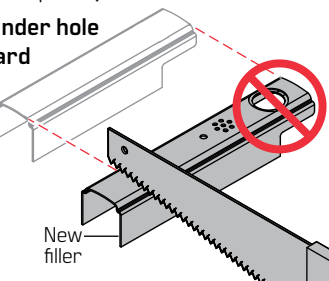
4 REMOVING HEX DOGGING

- 4.1 Remove hex dogging parts, if installed.



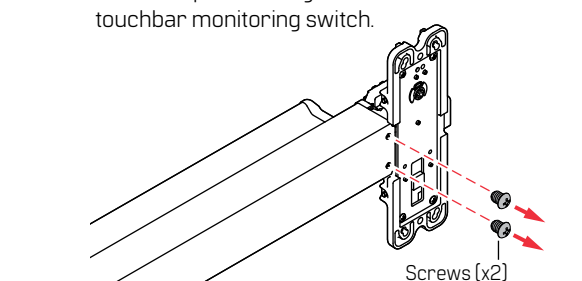
5 CUTTING FILLER

- 5.1 Cut new filler to match length of old hinge filler, if required.
NOTE: Ensure cylinder hole is positioned toward touchbar. Do not cut this end.



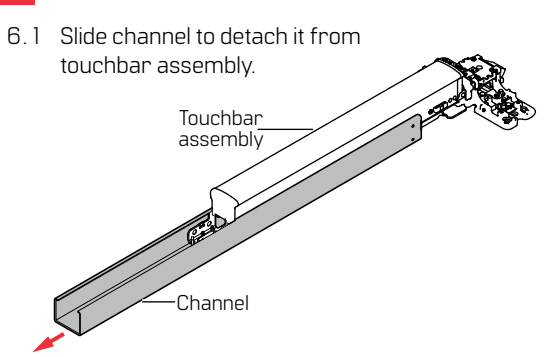
6 DEVICE CHECK

- For ALK, NALK, ALW and NALW models**
• Follow steps 6 through 11 to install touchbar monitoring switch.



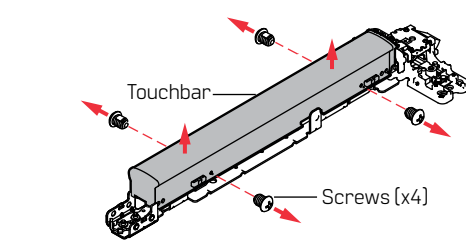
6 REMOVING CHANNEL

- 6.1 Slide channel to detach it from touchbar assembly.



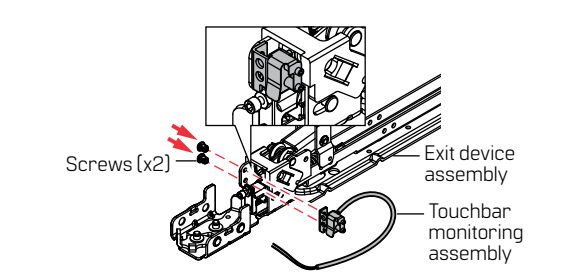
7 REMOVING TOUCHBAR

- 7.1 Remove four screws, using a Phillips screwdriver.
7.2 Remove touchbar.



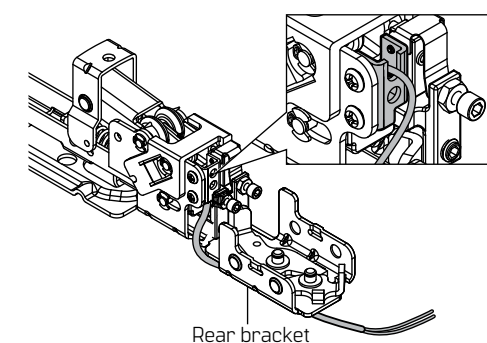
6 DEVICE CHECK

- Skip to Step 11 "CHECKING OPERATION", if touchbar monitoring switch is already installed on device.



8 ROUTING WIRES

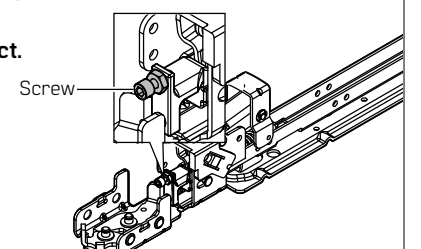
- 8.1 If using a bracket with a slotted hole, route wire through top slotted hole and under rear bracket toward hinge side.
8.2 If using a bracket with two holes, route wire straight down and under rear bracket toward hinge side.



9 ACTIVATING SWITCH

- 9.1 Adjust screw as needed to activate switch.

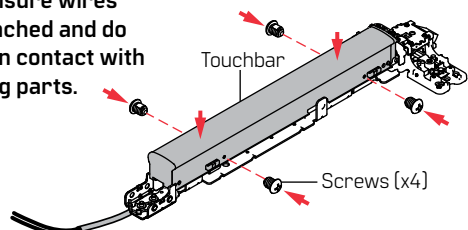
NOTE: Ensure there is no hard contact.



10 SECURING TOUCHBAR

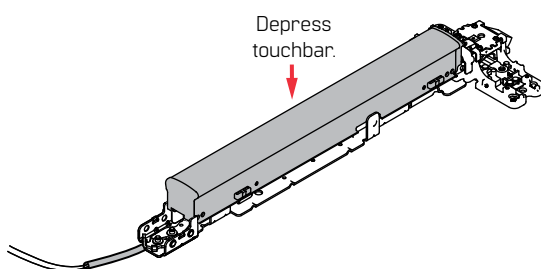
- 1 0.1 Secure touchbar to device assembly with four screws, using a Phillips screwdriver.

NOTICE: Ensure wires are not pinched and do not come in contact with any moving parts.



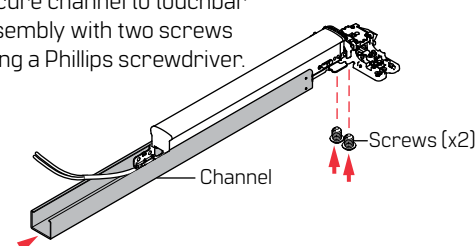
11 CHECKING OPERATION

- 1 1.1 Depress touchbar to initiate a switch closure across wires.



12 RE-ASSEMBLING EXIT DEVICE

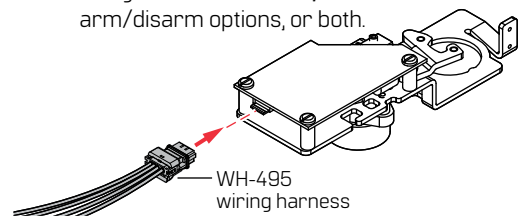
- 1 2.1 Slide channel, back into exit device/touchbar assembly.
1 2.2 Secure channel to touchbar assembly with two screws using a Phillips screwdriver.



DEVICE CHECK

Connect WH-495 wiring harness for ALW, NALW, ALK and NALK models (opt.).

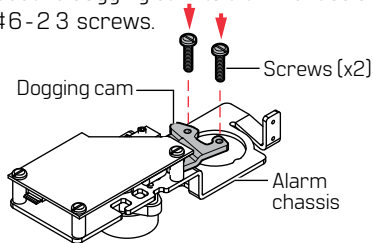
- Connect WH-495 wiring harness if using remote activation, remote arm/disarm options, or both.



DEVICE CHECK

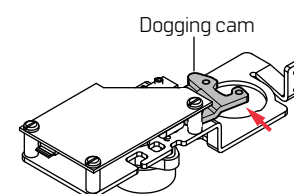
Secure dogging cam for FL or non-dogging devices only.

- Secure dogging cam to alarm chassis with two #6-23 screws.



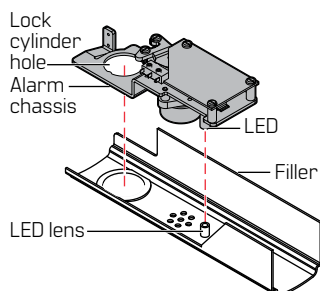
13 INSTALLING DOGGING CAM

- 1 3.1 Place dogging cam in "Load" position.
1 3.2 Push in direction of arrow until it clicks into place.



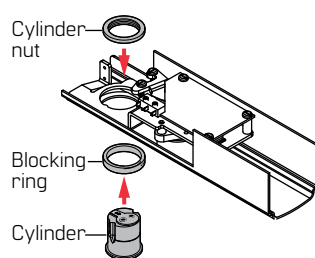
14 INSTALLING ALARM CHASSIS ON HINGE FILLER

- 1 4.1 Align cylinder hole and LED with LED lens.
1 4.2 Install alarm chassis onto hinge filler.



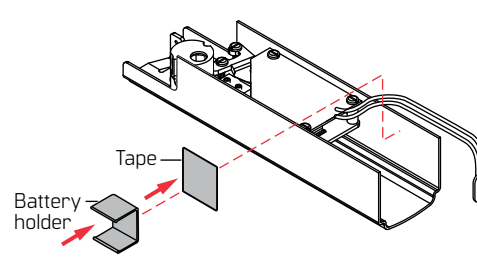
15 INSTALLING CYLINDER CORE

- 1 5.1 Insert cylinder with cylinder core facing away from touchbar end.
1 5.2 Route cylinder through blocking ring, hinge filler and chassis holes.
1 5.3 Secure it with cylinder nut.



DEVICE CHECK

Secure battery for ALK and NALK models
• Secure battery holder in place using tape.

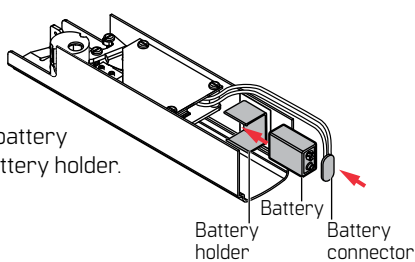


DEVICE CHECK

Battery connection for ALK and NALK models

- Plug battery into battery connector.

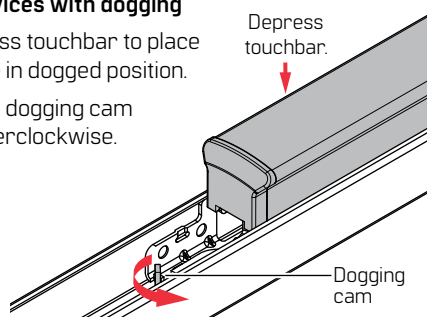
- Place battery into battery holder.



DEVICE CHECK

For devices with dogging

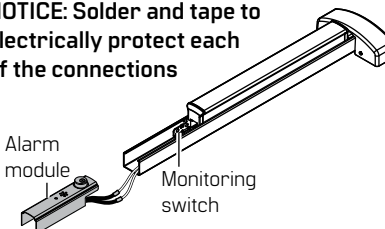
- Depress touchbar to place device in dogged position.
- Rotate dogging cam counterclockwise.



16 CONNECTING ALARM MODULE WIRES

- 1 6.1 Connect two wires from alarm module to two wires from touchbar monitoring switch: Red to red and black to blue.

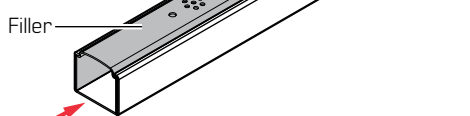
NOTICE: Solder and tape to electrically protect each of the connections



17 INSTALLING HINGE FILLER

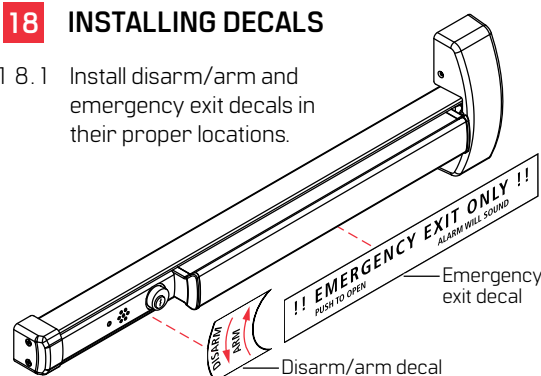
- 1 7.1 Insert hinge filler assembly into exit device, after connecting alarm module to touchbar monitoring switch.

NOTICE: Do not pinch wires.



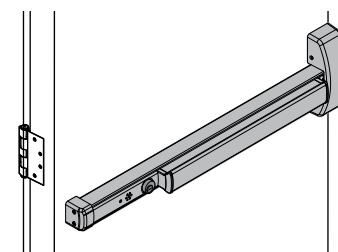
18 INSTALLING DECALS

- 1 8.1 Install disarm/arm and emergency exit decals in their proper locations.



19 MOUNTING EXIT DEVICE

- 1 9.1 Mount exit device on door according to installation instructions provided.

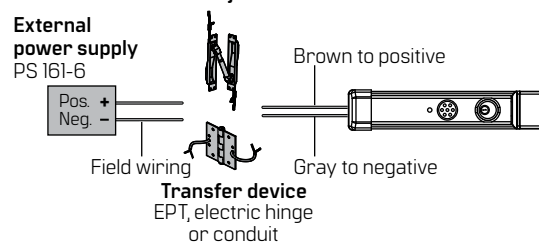


DEVICE CHECK

Power connections for ALW AND NALW

- Power supply requirement: Use a 24VDC regulated and filtered power supply, such as BEST PS 161-6.

NOTE: Keep wire run as short as possible and ensure it is free from major electrical noise sources.

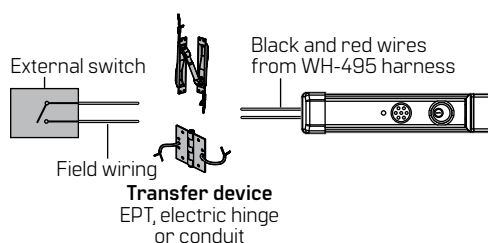


DEVICE CHECK

Remote activation for ALW, NALW, ALK and NALK

- Plug in optional WH-495 wire harness. See "DEVICE CHECK 3."

NOTE: Keep wire run as short as possible and ensure it is free from major electrical noise sources.

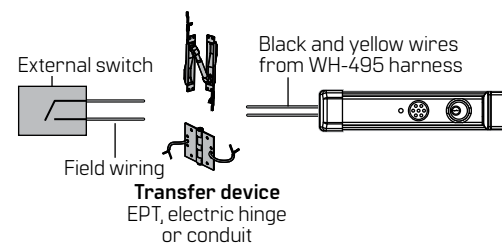


DEVICE CHECK

Remote activation for ALW, NALW, ALK and NALK

- Plug in optional WH-495 wire harness. See "DEVICE CHECK 3."

NOTE: Keep wire run as short as possible and ensure it is free from major electrical noise sources.



Document translations available.
Scan for product details and downloads.
Call 1-800-392-5209 or visit
<https://dhwsupport.dormakaba.com/hc/en-us>
for assistance and warranty information.

⚠ WARNING! This Manufacturer advises that no lock can provide complete security by itself. This lock may be defeated by forcible or technical means, or evaded by entry elsewhere on the property. No lock can substitute for caution, awareness of your environment, and common sense. Builder's hardware is available in multiple performance grades to suit the application. In order to enhance security and reduce risk, you should consult a qualified locksmith or other security professional.