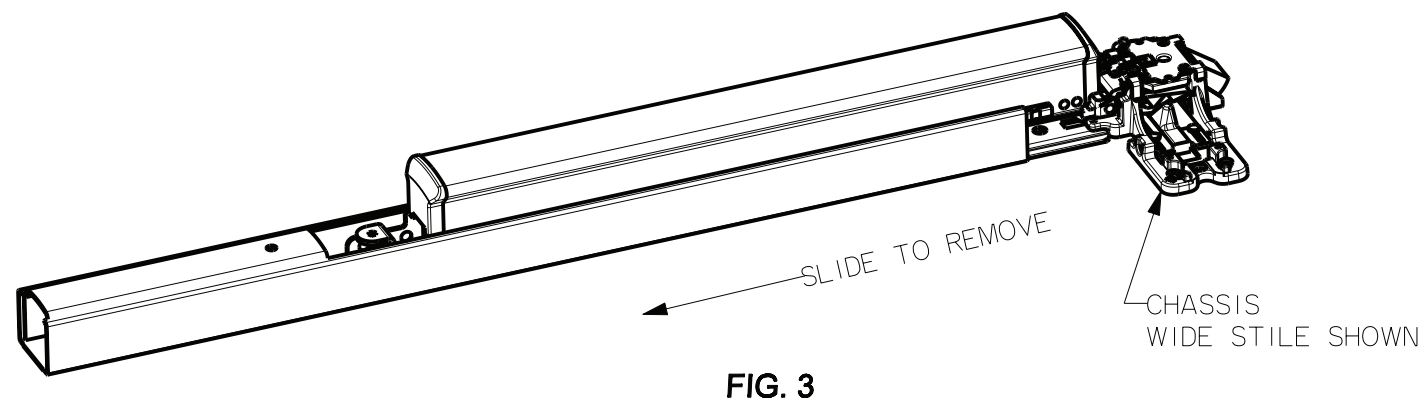
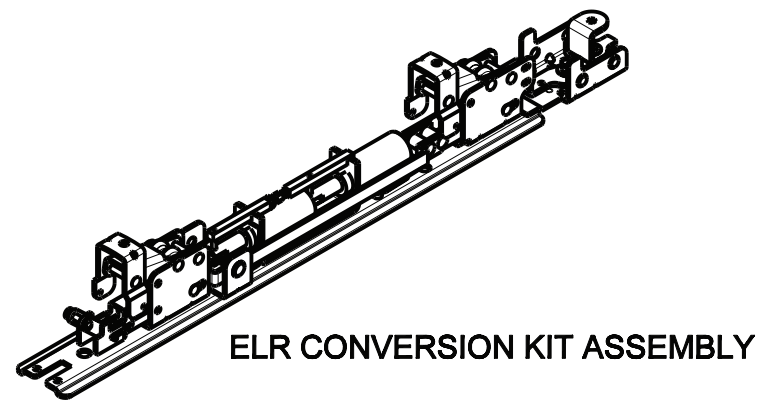


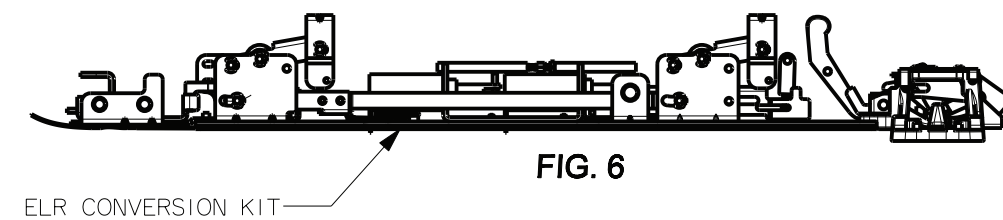
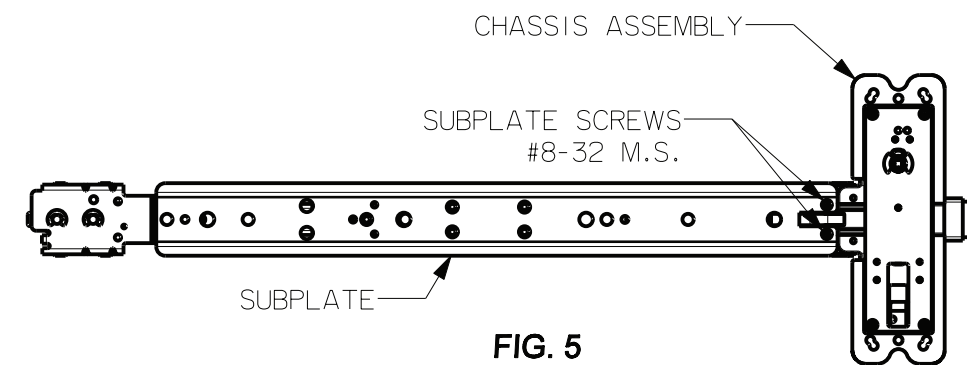
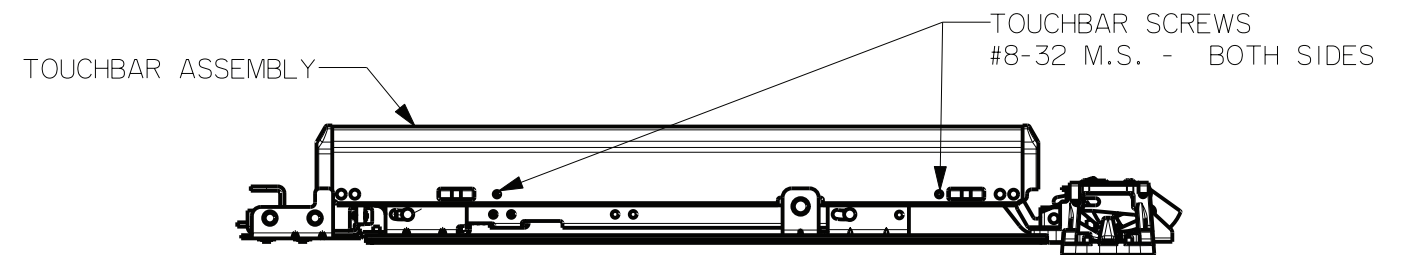
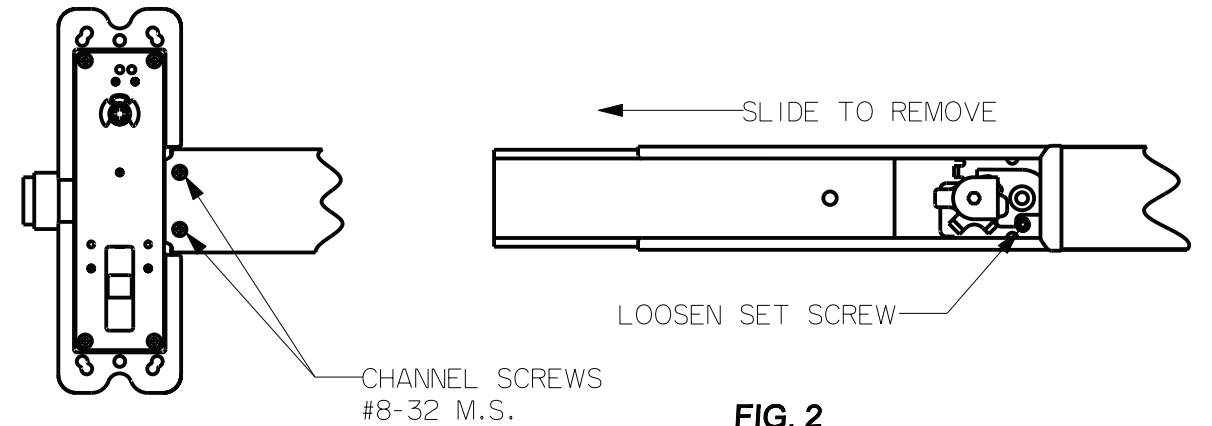
**Installation Instructions ELR Conversion Kit**  
**Series ELRK and ELRKF for Wide Stile Devices**  
**Series NELRK and NELRK for Narrow Stile Devices**

For online instructions, assistance or warranty information:  
Call 1-800-392-5209 or visit <https://dhwsupport.dormakaba.com/hc/en-us>



**DISASSEMBLE:**

- 1 - Remove the 2 channel screws (Fig. 1) Loosen set screw (Fig.2) and slide device channel away from chassis
- 2 - Remove the 4 touchbar screws.(Fig. 2) and 2 subplate screws.(Fig. 5)
- 3 - Attach the ELR Conversion Kit to the Chassis Assembly using the 2 screws removed in step 5. (Fig. 6)



## ELECTRICAL TESTING

- Refer to Installation Instructions for the ELR-I50 Power Supply and the CM-I50-08 Control Module. Both must be used with the ELR Conversion Kit.
- Device should be bench tested before mounting on the door.

### Proper Operation:

**RIM DEVICE:** Upon activating the Control Module, the Latch Bolt should retract and LED 2 on the Control Module should light.

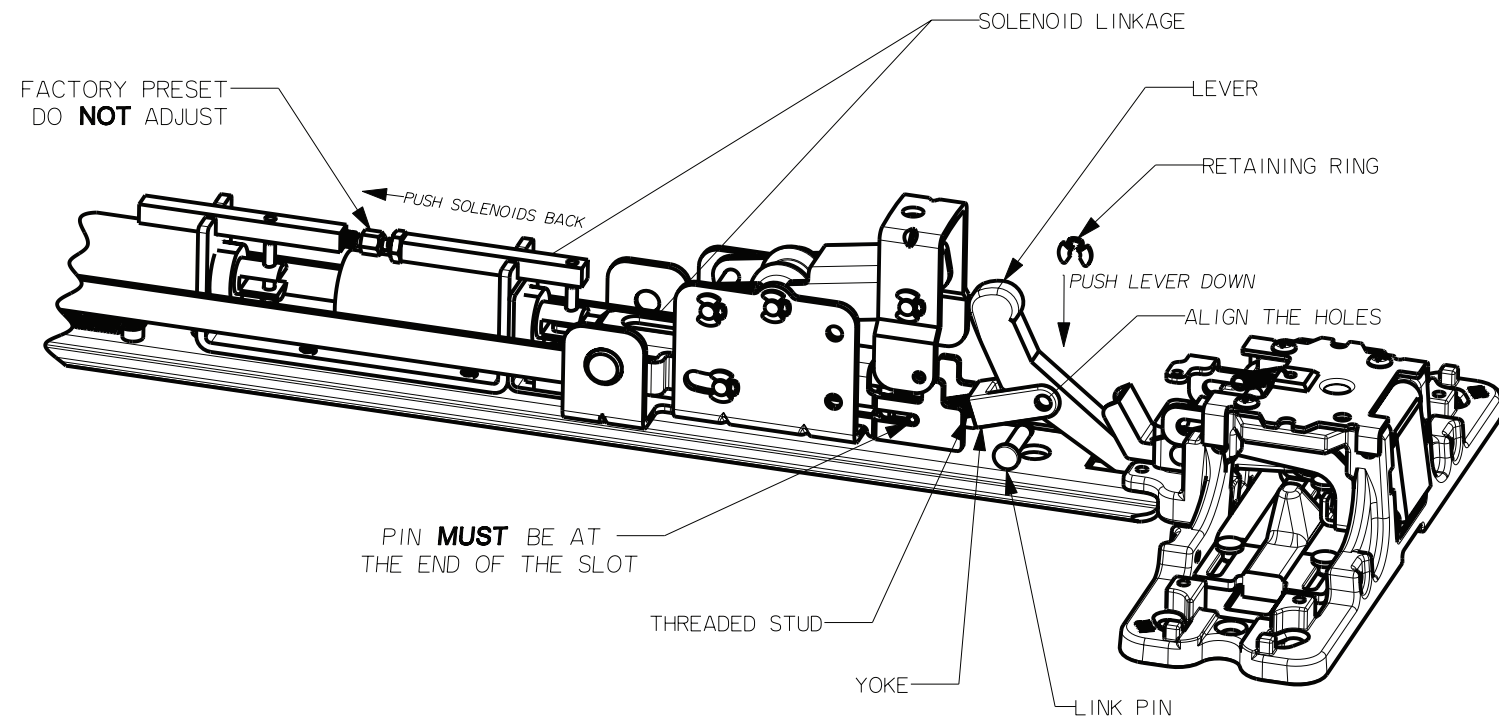
**VERTICAL ROD DEVICE:** Upon activating the Control Module, the Rod Carriage should lift up approximately 1/2" and LED 2 on the Control Module should light.

## TROUBLE SHOOTING

- Latchbolt will not retract completely: Adjust the Yoke by removing the link pin and rotating clockwise. Replace Link Pin and retest.
- Rod Carriage will not move the required 1/2": Adjust the Yoke by removing the link pin and rotating clockwise. Replace Link Pin with retaining ring and retest.
- LED 2 will not light when the solenoids are energized: Adjust the Yoke by removing the link pin and rotating counterclockwise. Replace Link Pin and retest. Check for proper wiring: black wires to TB2-3 and TB2-4 of the Control Module
- Solenoid Linkage will not move: Check for proper wiring: white wires to TB2-1 and TB2-2 of the Control Module
- Solenoid Linkage will not retract completely: Adjust the Yoke by removing the link pin and rotating counterclockwise. Replace Link Pin and retest
- Device works on the bench, but not on the door:

A- Check for shorts, excessive wire runs and open connections. With the power off and the system completely wired, place the probes of an ohm meter on the screw heads of TB2-1 and TB2-2: the result should be 4 - 5 ohms

B - Check the device for proper mechanical operation and that the **Vertical Rods are properly adjusted.**

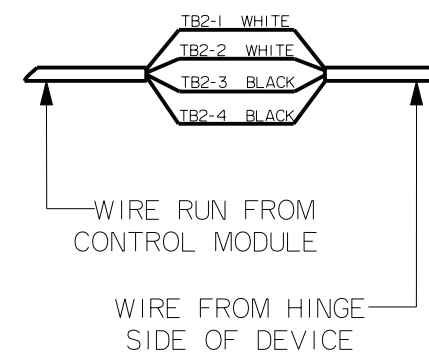


### ADJUSTMENT:

- 4 -With the Lever pushed down and the Solenoid Linkage pushed back, the Yoke assembly must align with the pin at the end of the slot and the Yoke holes with the Lever holes. Rotate the Yoke clockwise on the Threaded Stud to make shorter and counterclockwise to make longer.
- 5 -Insert Link Pin into hole and secure it with retaining ring.

### REASSEMBLE:

- 6 - Attach the Touchbar assembly and secure with 4 screws.(Fig. 4)
- 7 - Slide device channel back and secure it with 2 screws (Fig.1)
- 8 - Snug set screw and slide Hinge Filler into place.(Fig. 2)



WIRE GAGE	MAXIMUM WIRE RUN	
	WITH 22 GAGE POWER TRANSFER	WITH 28 GAGE WIRE TRANSFER
16	75 FT	55 FT
14	125 FT	75 FT
12	200 FT	-----