

# Series: 2400, FL2400 – Trim Series: Exit Only, Cylinder Only, 2901, 2902, 2903 – Strike: S300, S301, S458 – Wood & Hollow Metal Door Preparation

For online instructions, assistance or warranty information:  
Call 1-800-392-5209 or visit <https://dhwsupport.dormakaba.com/hc/en-us>

### Reinforcement requirements

Provide adequate reinforcement to metal covered composite and hollow metal doors for drilling and tapping for machine screws.

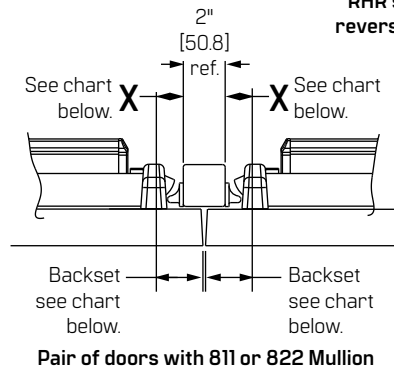
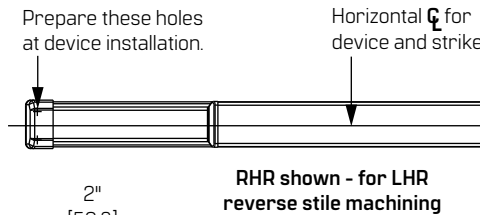
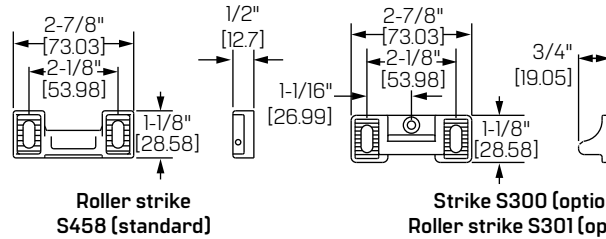
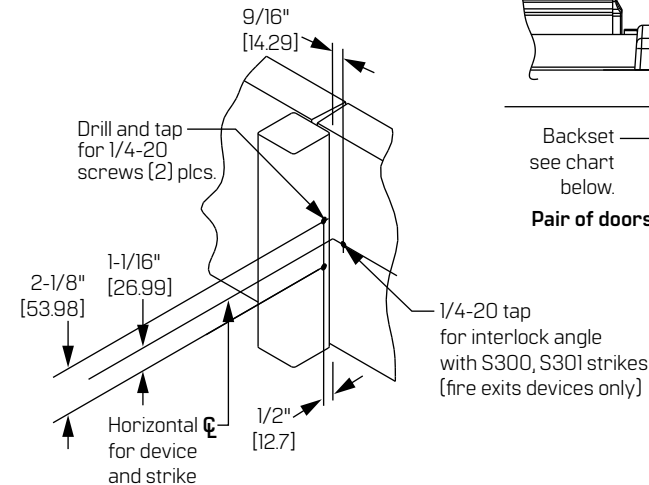
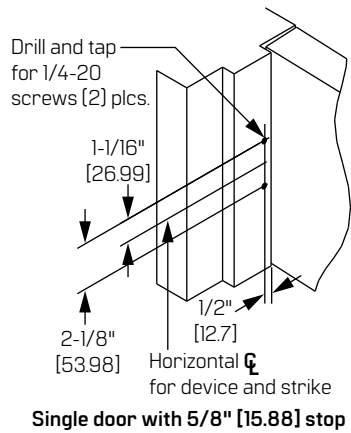
**NOTE: "Letter" at end of trim model number designates lever style. Except as noted, lever style has no effect on stile machining.**

### Sex nuts and bolts

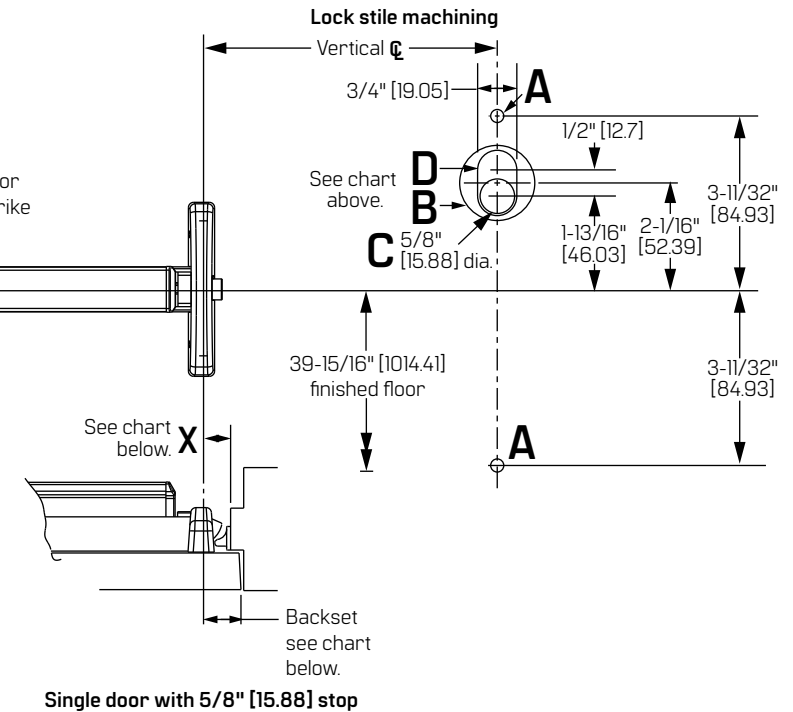
Sex bolts are required for plastic, wood, metal covered composite and hollow metal doors without reinforcement.

### Sex bolt machining

Drill 1/4" [6.35] dia. inside.  
Drill 3/8" [9.53] dia. outside.



A-hole [2] plcs.	Devices	Trims	B-hole	C-hole	D-slot
#10-24 tap inside only	2401, FL2401	Exit only	No	No	No
	2403, FL2403	Cylinder only	1-3/16" [30.16] dia. outside		3/4" [19.05] slot inside
1/4" [6.35] dia. inside 13/32 [10.32] dia. outside	2401, FL2401	2901	No		No
	2402, FL2402	2902			
	2403, FL2403	2903	1-7/16" [36.51] dia. outside	Yes	



Strike	Application	Backset	Min. stile	"X" dimension
S300	Single door	1-15/16" [49.21]	2-7/8" [73.03]	1-7/16" [36.51]
	Pair of doors	2-3/8" [60.33]	3-1/4" [82.55]	
S458	Single door	1-11/16" [42.86]	2-5/8" [66.68]	1-3/16" [30.16]
	Pair of doors	2-1/8" [53.98]	3" [76.2]	