

Rim Device 2100 & FL 2100 Series x 1700 & 4900 Trim Hollow Metal Door

Trim Series: Exit Only, CYL Only, 1700 & 4900
Device Series: 2100 & FL2100
Strike: S300, S301, S458

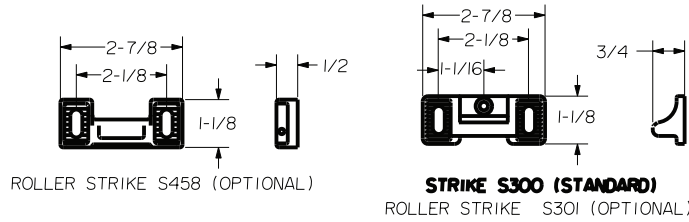


For online instructions, assistance or warranty information:
Call 1-800-392-5209 or visit <https://dhwsupport.dormakaba.com/hc/en-us>

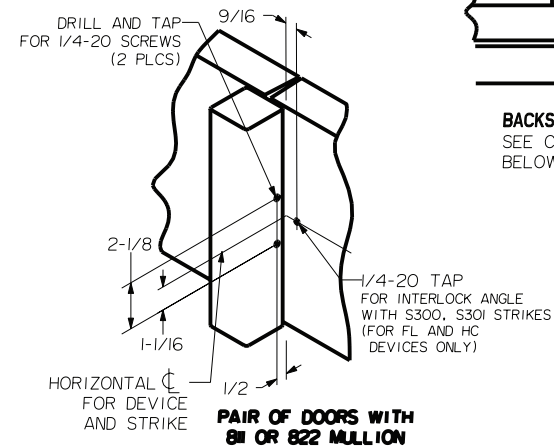
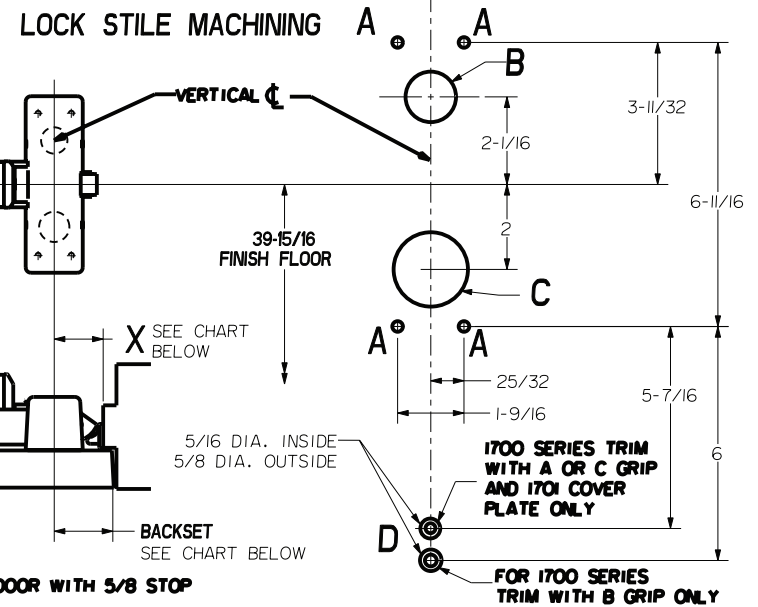
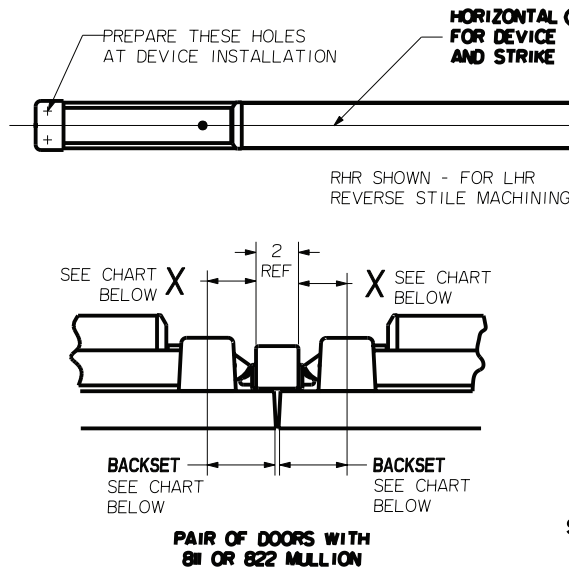
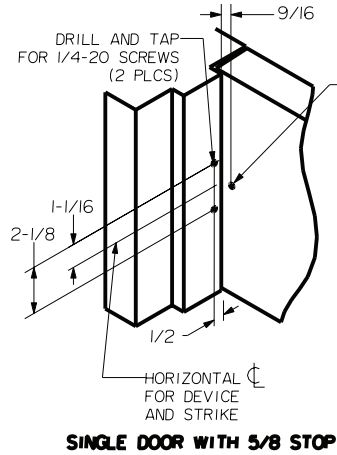
REINFORCEMENT REQUIREMENTS
PROVIDE ADEQUATE REINFORCEMENT TO METAL COVERED COMPOSITE AND HOLLOW METAL DOORS FOR THE DRILLING AND TAPPING FOR THE MACHINE SCREWS.
SEX NUTS AND BOLTS
SEX BOLTS ARE REQUIRED FOR PLASTIC, WOOD, METAL COVERED COMPOSITE AND HOLLOW METAL DOORS WITHOUT REINFORCEMENT

SEX BOLT MACHINING
DRILL 1/4 DIA. INSIDE
DRILL 3/8 DIA. OUTSIDE

NOTE:
"LETTER" AT END OF TRIM MODEL NO. DESIGNATES LEVER OR GRIP STYLE. EXCEPT AS NOTED, LEVER OR GRIP STYLE HAS NO EFFECT ON STILE MACHINING.



HOLE (4) PLS	A	DEVICES	TRIMS	HOLE B	HOLE C
#10-24 TAP INSIDE ONLY		201.FL201	EXIT ONLY	NO	NO
		203.FL203	CYL ONLY	1-3/8 DIA INSIDE 1-3/16 DIA OUTSIDE	
1/4 DIA INSIDE 3/8 DIA OUTSIDE		201.FL201	1701,4901	NO	1-3/4 DIA THRU DOOR
		202.FL202	1702,4902		
		203.FL203	1703,4903		
		E203.FLE203	4908,V4908		
		205.FL205	1705		
		208.FL208	4908,V4908		
		210.FL210			
		214.FL214	4914	NO	1-3/4 DIA THRU DOOR
		215.FL215	1715		



STRIKE	APPLICATION	BACKSET	MIN. STILE	DIM X
S300 S301	SINGLE DOOR	2-3/4	4-1/4	2-1/4
	PAIR OF DOORS	3-1/8	4-5/8	
S458	SINGLE DOOR	2-9/16	4	2-1/16
	PAIR OF DOORS	2-15/16	4-3/8	