

Rim Device 2400 Series x 2000 Trim Aluminum Door

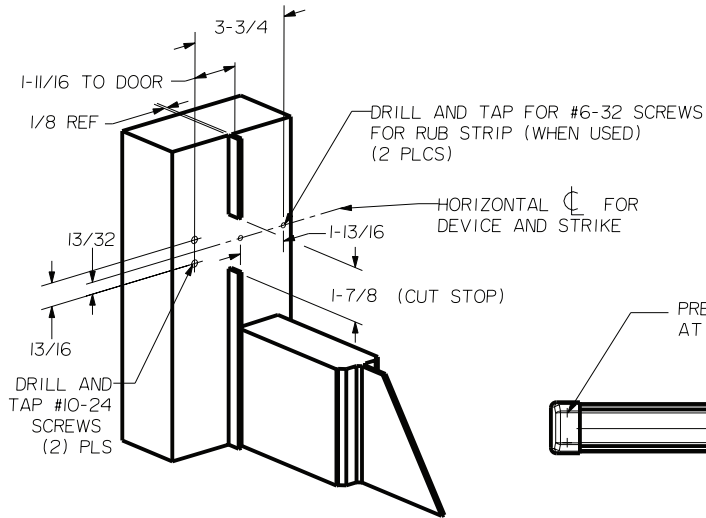
Trim Series: 2000
 Device Series: 2400
 Strike: S988



For online instructions, assistance or warranty information:
 Call 1-800-392-5209 or visit <https://dhwsupport.dormakaba.com/hc/en-us>

SEX BOLT MACHINING

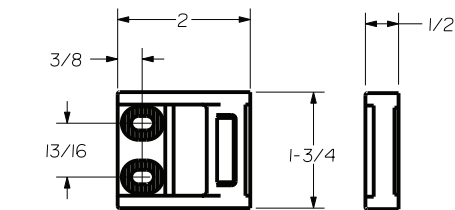
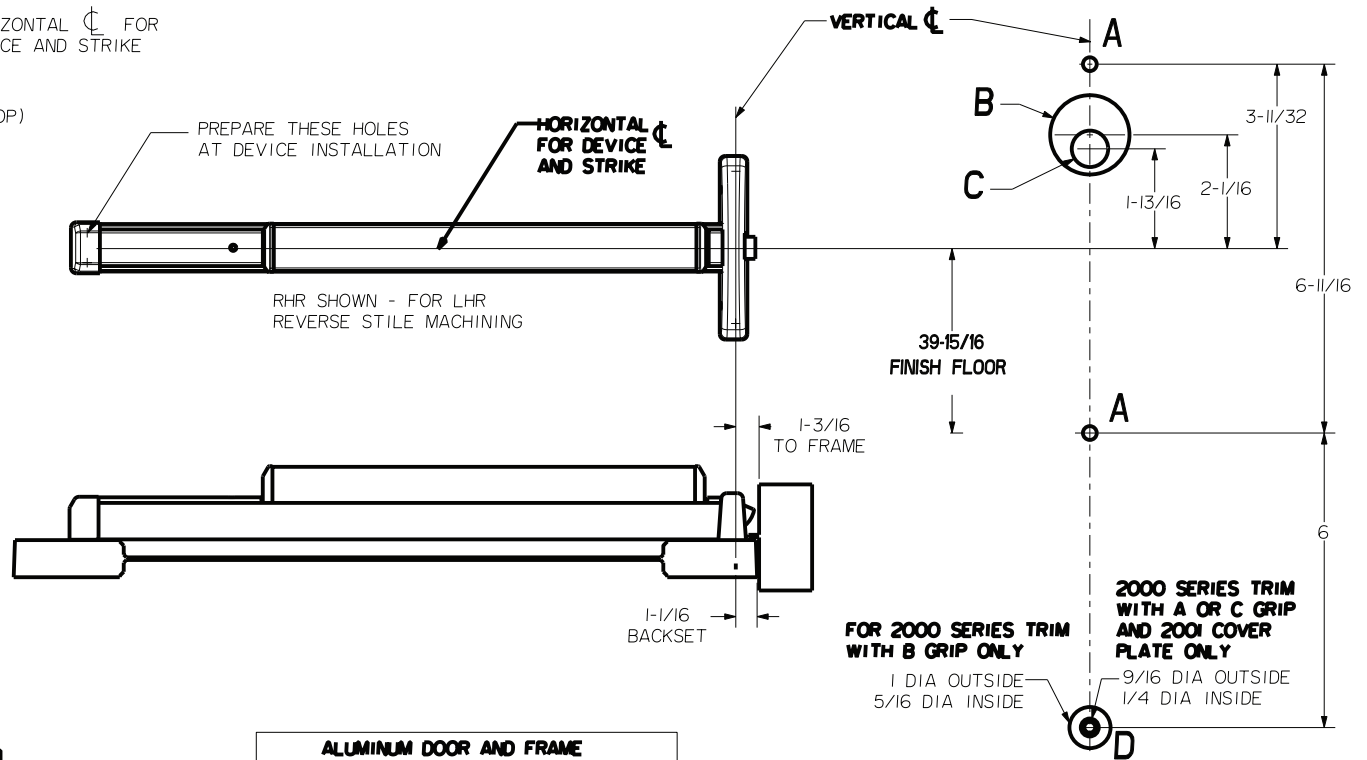
DRILL 1/4 DIA. INSIDE
 DRILL 3/8 DIA. OUTSIDE



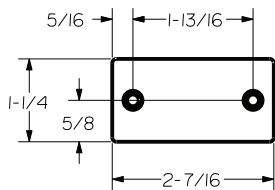
NOTE: "LETTER" AT END OF TRIM MODEL NO. DESIGNATES GRIP STYLE. EXCEPT AS NOTED, GRIP STYLE HAS NO EFFECT ON STILE MACHINING.

HOLE (2) PLS	A	DEVICES	TRIMS	HOLE B	HOLE C
1/4 DIA INSIDE 13/32 DIA OUTSIDE		2401	2001	NO	NO
		2402	2002		
		2403	2003	1-3/8 DIA OUTSIDE	5/8 DIA. INSIDE

LOCK STILE MACHINING



ROLLER STRIKE S988 STANDARD



RUB STRIP S454 (STANDARD)

ALUMINUM DOOR AND FRAME WITH BLADE OR APPLIED STOP		
MIN. STILE	DEVICE SIZE	DOOR WIDTH
1-3/4"	3'-0"	2'-6" TO 3'-0"
	4'-0"	3'-1" TO 4'-0"