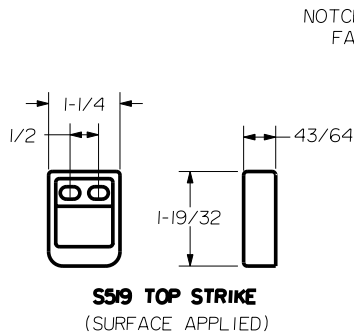
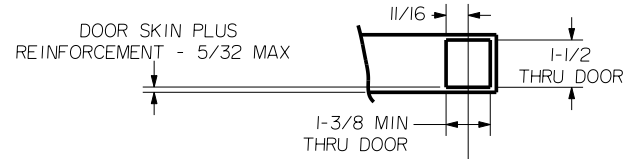


# Installation Specifications: Series 2600, 2600LBR Trim Series: 2908, 2914

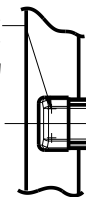
For online instructions, assistance or warranty information:  
Call 1-800-392-5209 or visit <https://dhwsupport.dormakaba.com/hc/en-us>

### SEX BOLT MACHINING

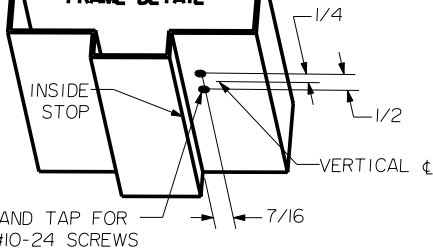
DRILL 1/4 DIA. INSIDE  
DRILL 3/8 DIA. OUTSIDE



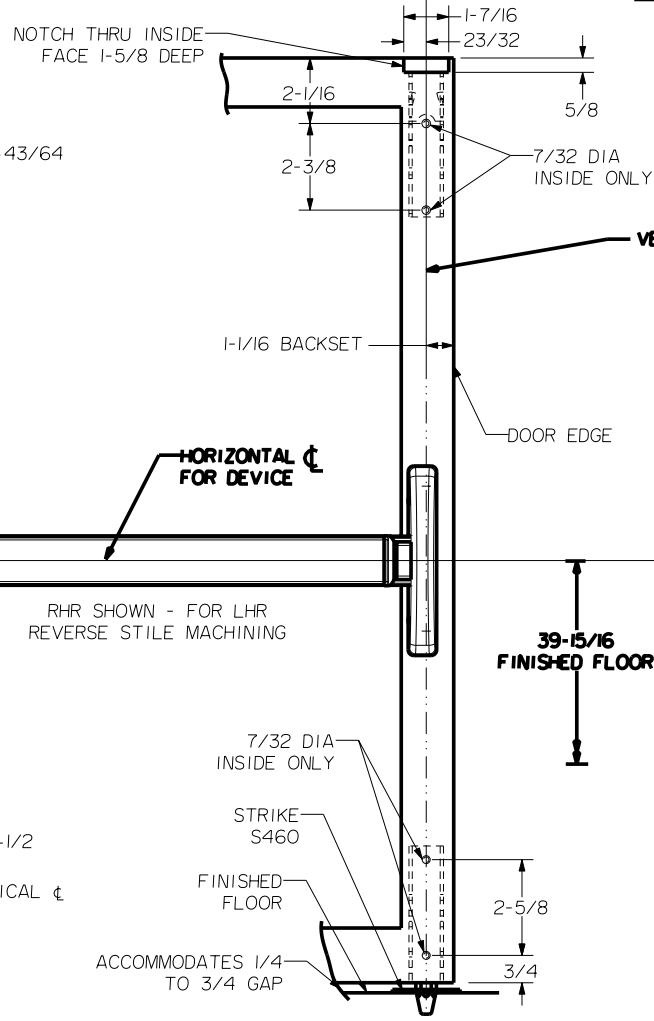
PREPARE THESE HOLES AT DEVICE INSTALLATION



### TOP STRIKE FRAME DETAIL



NOTE: "LETTER" AT END OF TRIM MODEL NO. DESIGNATES LEVER STYLE. EXCEPT AS NOTED, LEVER STYLE HAS NO EFFECT ON STILE MACHINING.



**LBR DEVICES:  
OMIT BOTTOM BOLT MACHINING.**

DEVICES	TRIMS	HOLE (2) PLS A	HOLE B	HOLE C
2608	2908	1/4 DIA INSIDE 3/32 DIA OUTSIDE	OUTSIDE ONLY	5/8 DIA INSIDE 1-3/8 DIA OUTSIDE
2614	2914		NOT REQ'D	

### LOCK STILE MACHINING

