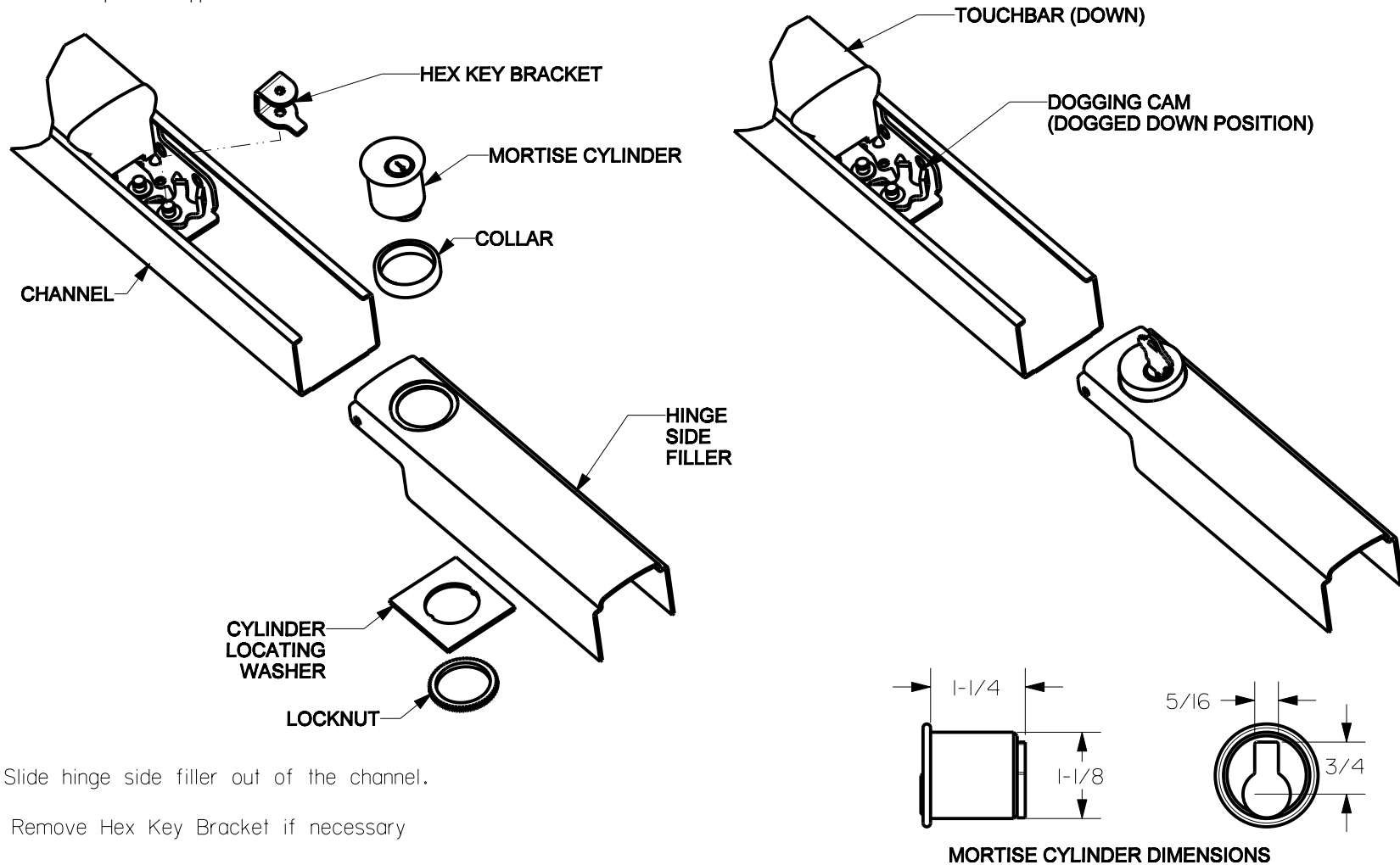


Cylinder Dogging Instructions

For online instructions, assistance or warranty information:
Call 1-800-392-5209 or visit <https://dhwsupport.dormakaba.com/hc/en-us>



1. Slide hinge side filler out of the channel.
2. Remove Hex Key Bracket if necessary
3. Install cylinder
 - A. Position cylinder with cylinder core away from touchbar. (as shown)
 - B. Insert cylinder through collar, hinge side filler, locating washer, and tighten with locknut.
4. Slide hinge side filler into channel. (Dogging cam must be in dogged down position, as shown)