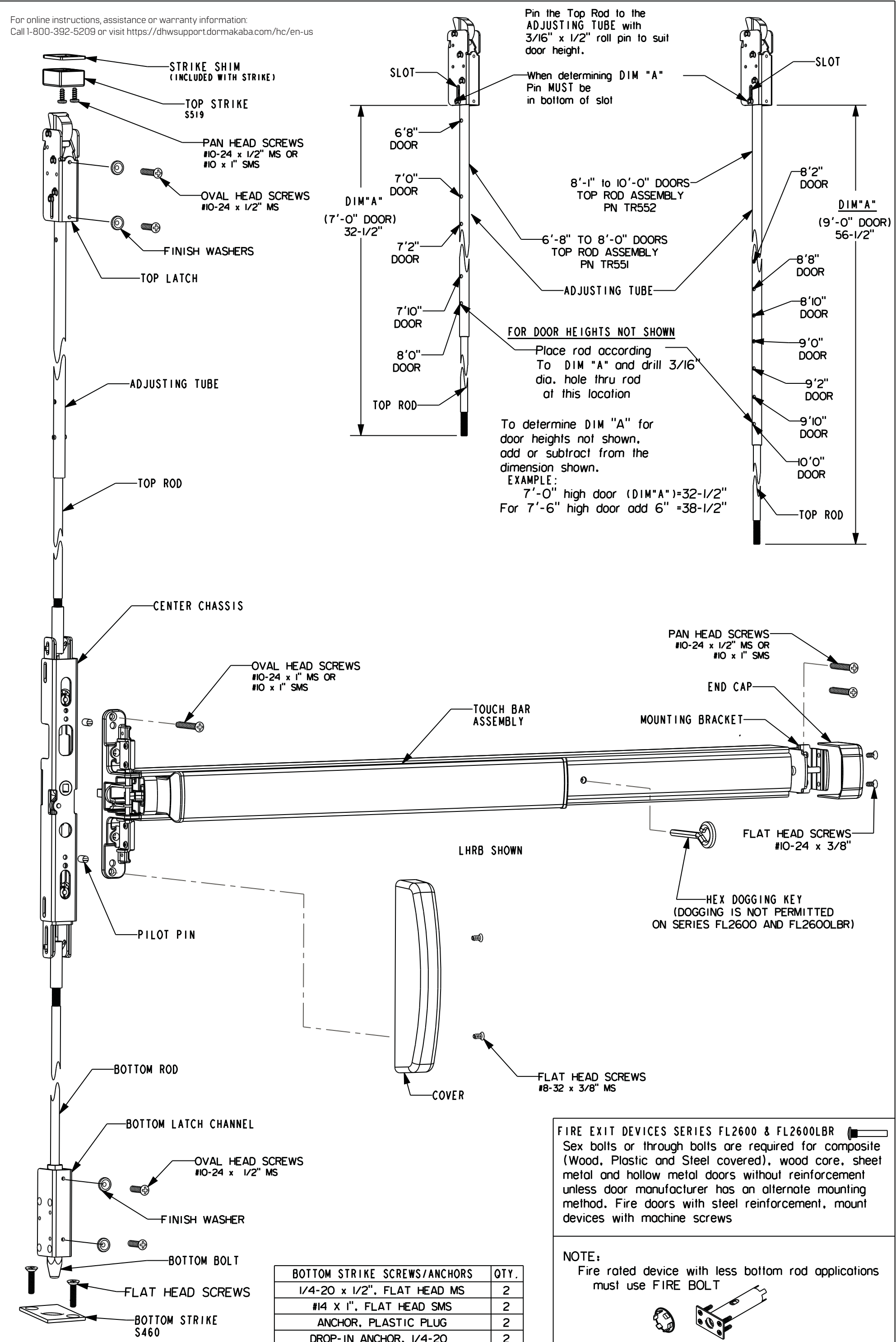
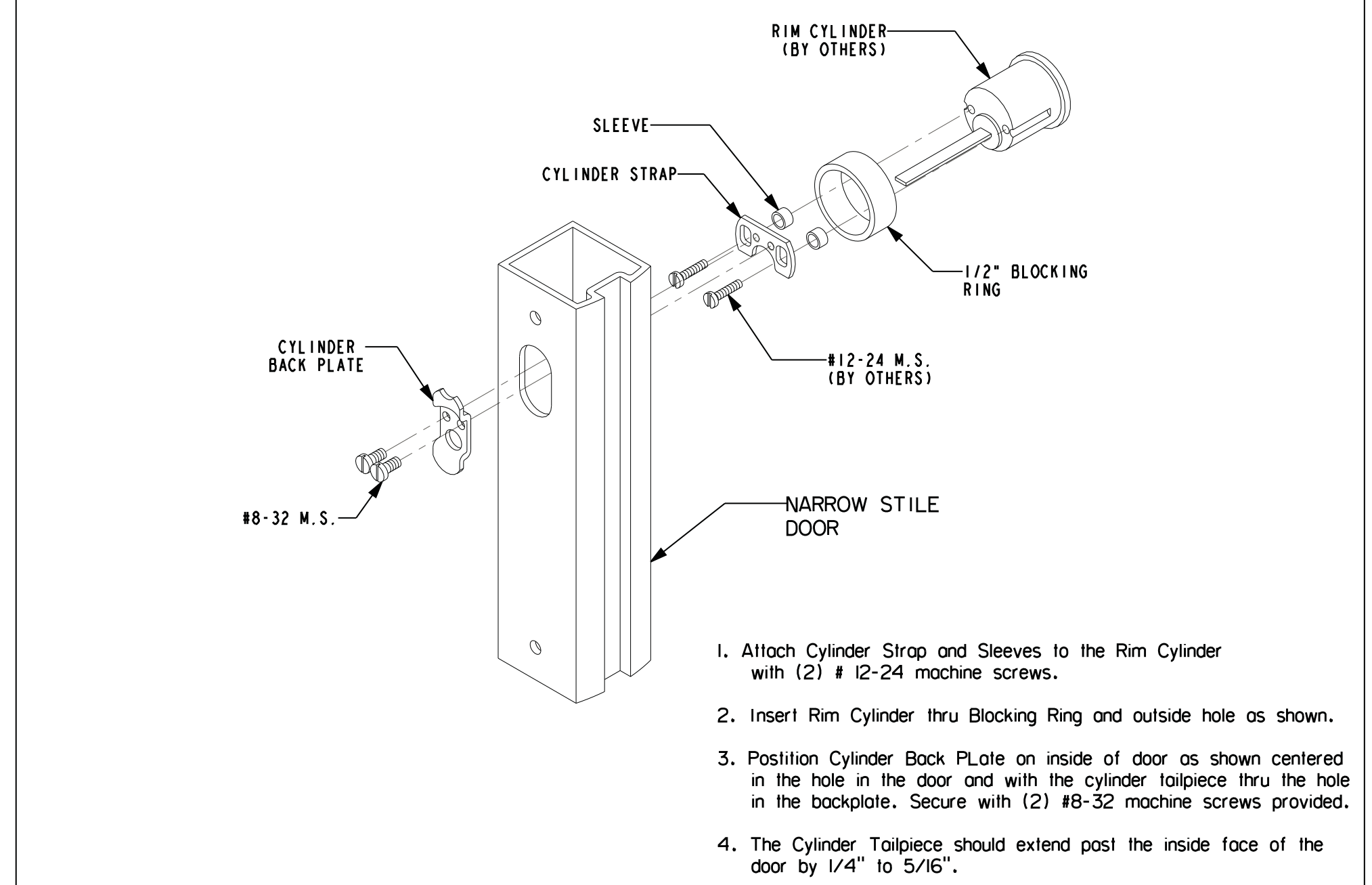


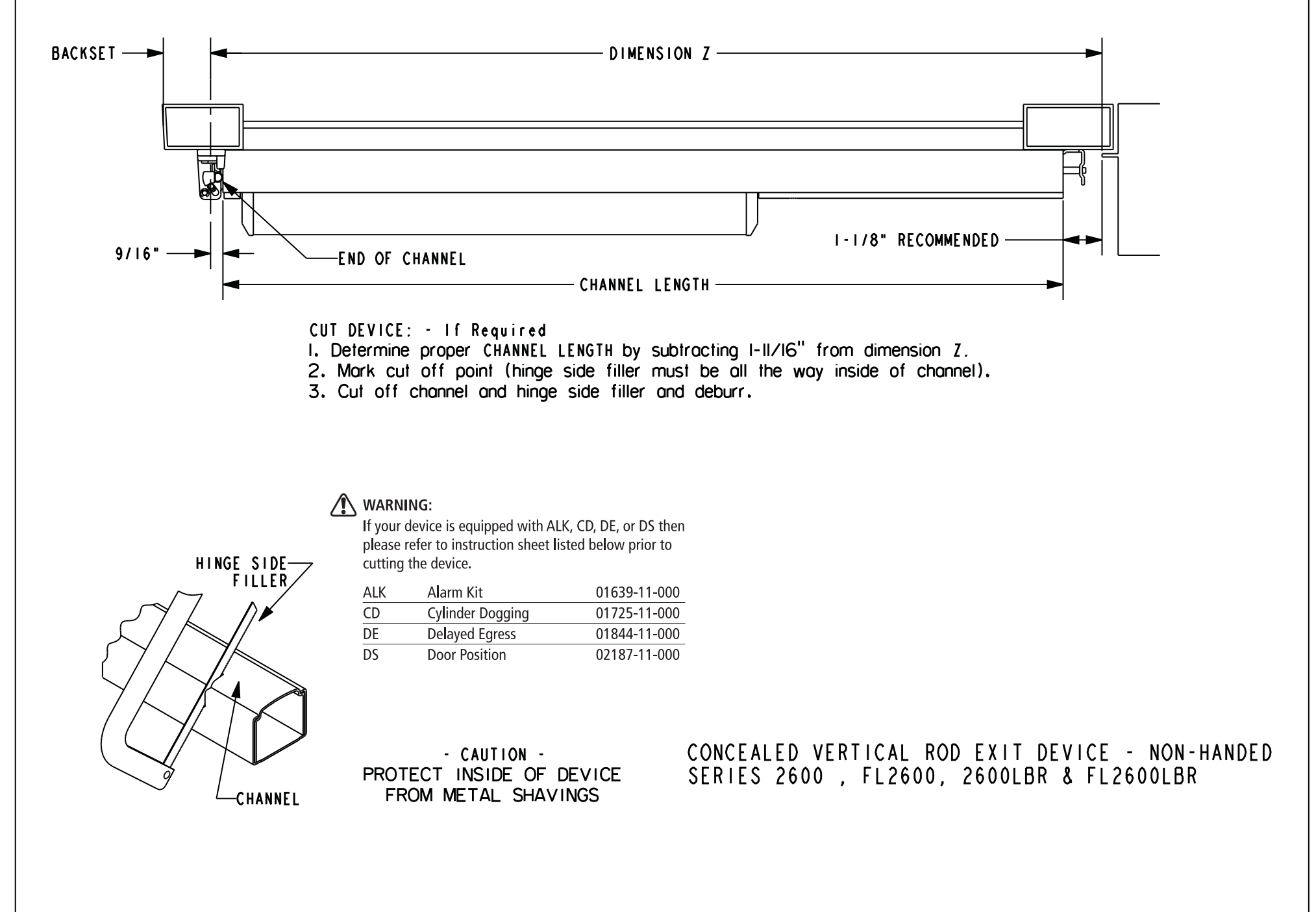
For online instructions, assistance or warranty information:  
Call 1-800-392-5209 or visit <https://dhwsupport.dormakaba.com/hc/en-us>



### CYLINDER ONLY INSTALLATION



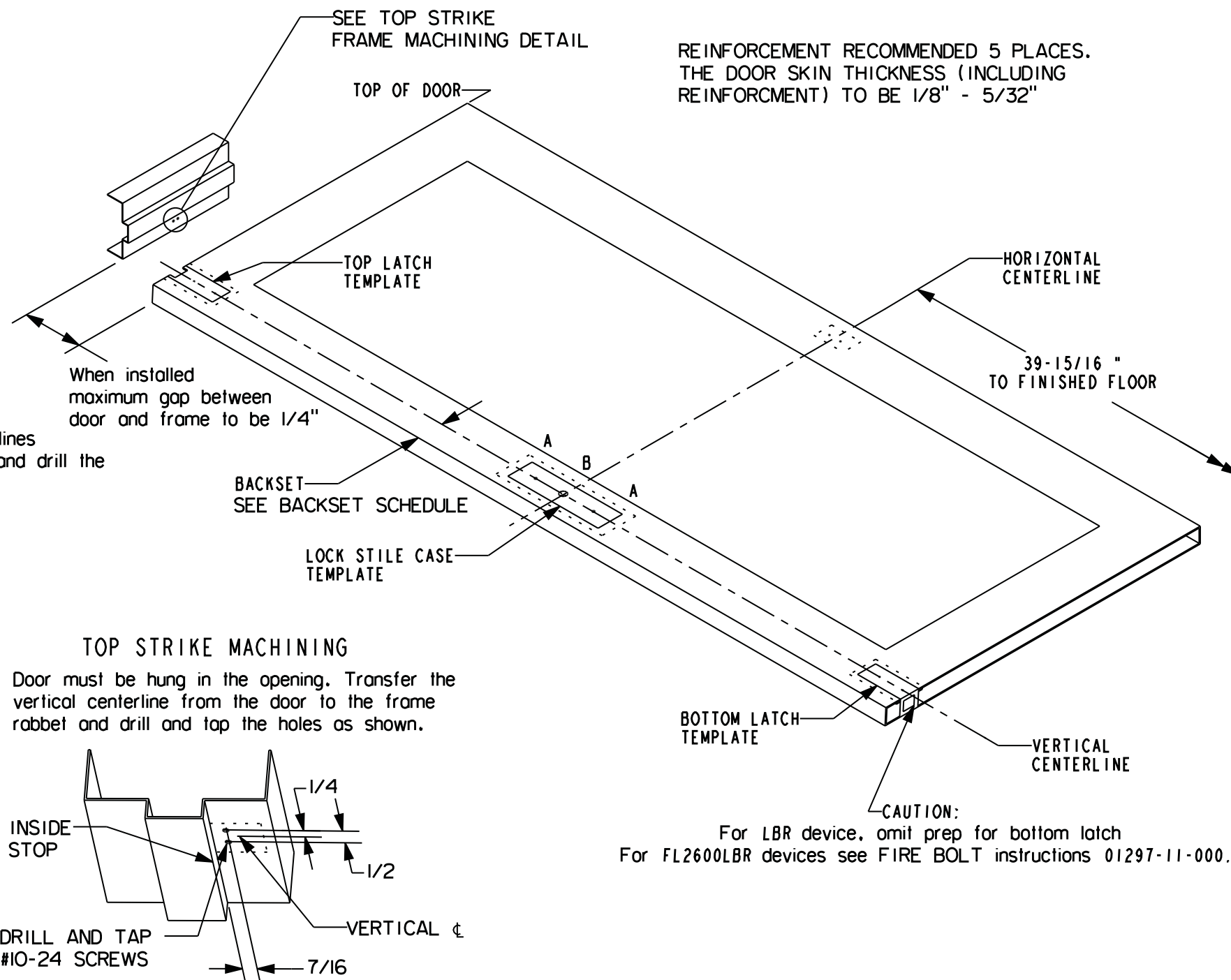
### DEVICE PREPARATION



# 1 DOOR PREPARATION

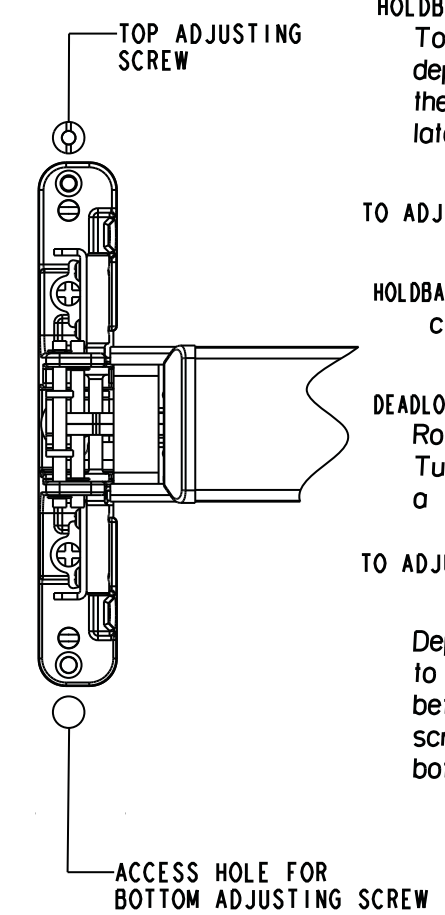
- Circle the following BACKSET in the chart below. TRIM NO. (if specified) at various locations (holes B and C) on the TRIM TEMPLATE.
  - Mark HORIZONTAL CENTERLINE on inside face of door 39-15/16" from finished floor as shown. (Continue horizontal centerline to outside face of door if Trim is specified).
  - Mark VERTICAL CENTERLINE per BACKSET SCHEDULE at lock side on full height of door and carry it onto the under side of the DOOR STOP. (Mark vertical centerline at lock side using Backset dimension on outside face of door if Trim is specified).
- CAUTION: Vertical centerlines on both sides of the door should be the same dimension from the edge of the door.
- Tape LOCK STILE CASE, TOP LATCH and BOTTOM LATCH Templates (and Trim Template if Trim specified) to the door so that the centerlines on the Template line up with centerlines on the door. Mark centers and drill the required holes as indicated on the templates.

DOOR TYPE	ALUMINUM		HOLLOW METAL	
	SINGLE DOOR	PAIR OF DOORS	SINGLE DOOR	PAIR OF DOORS
BACKSET	1-1/16"	1-1/16"	1-11/16"	1-11/16"
STILE WIDTH	1-3/4" MINIMUM	1-3/4" MINIMUM	3" MINIMUM	3" MINIMUM

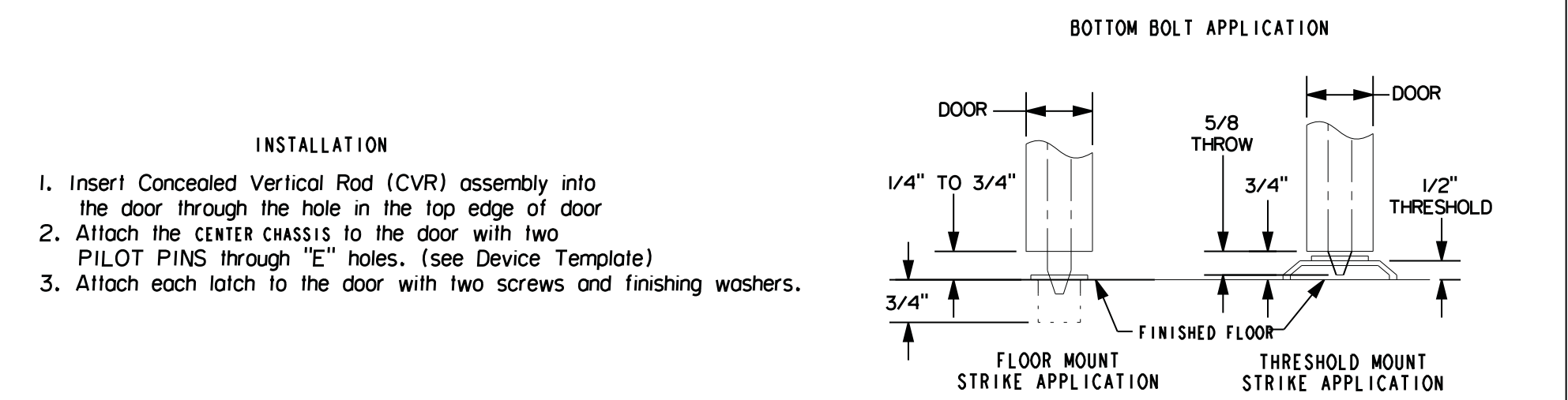
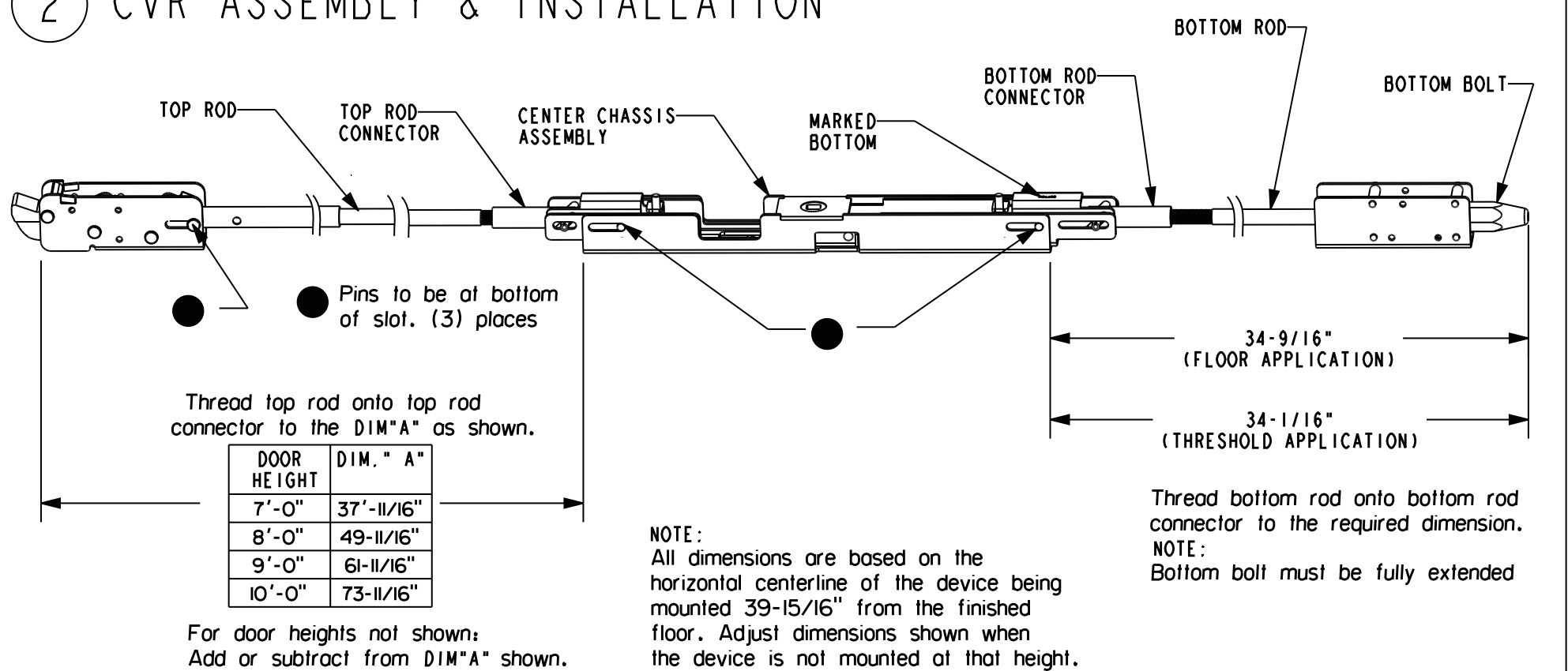


# 4 DEADLOCK/HOLDBACK ADJUSTMENT

- DEADLOCK:**  
When latchbolt is fully extended, it should be in deadlock. Deadlocking does not allow the latchbolt to be pushed down.
- HOLDBACK: (Latches held retracted)**  
Top latch should be in holdback when the touchbar is depressed and door is open. If device is in holdback, the latchbolt cannot be extended without rotating the latchbolt. Make sure bottom bolt clears the bottom strike.
- TO ADJUST HOLDBACK / DEADLOCK**
- HOLDBACK:** If no holdback; turn top adjusting screw clockwise one half turn at a time and repeat if necessary.
- DEADLOCK:** Rotate top latchbolt to extend fully; if it is not deadlocked. Turn top adjusting screw counter clockwise one half turn at a time and repeat if necessary.
- TO ADJUST BOTTOM BOLT**
- Depress the touch bar, the device must be in holdback to gain access to adjusting screw. To increase clearance between bottom bolt and strike, turn the bottom adjusting screw clockwise. To decrease clearance between the bottom bolt and strike, turn counter clockwise.



# 2 CVR ASSEMBLY & INSTALLATION



# 3 APPLY DEVICE

