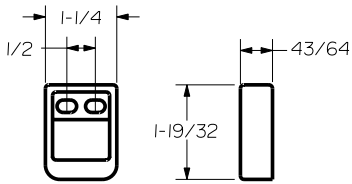


Installation Specifications: Series 2800, FL2800, 2800LBR, FL2800LBR Trim Series: Exit Only, C1700, 4900

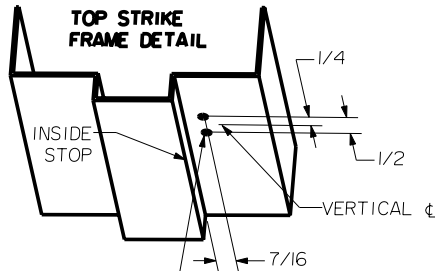
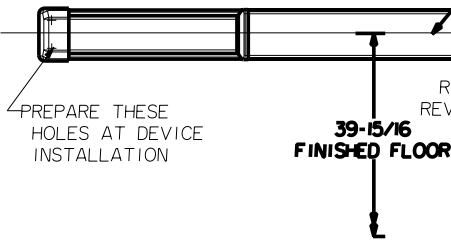
For online instructions, assistance or warranty information:
Call 1-800-392-5209 or visit <https://dhwsupport.dormakaba.com/hc/en-us>

REINFORCEMENT REQUIREMENTS
PROVIDE ADEQUATE REINFORCEMENT TO METAL COVERED COMPOSITE AND HOLLOW METAL DOORS FOR THE DRILLING AND TAPPING FOR THE MACHINE SCREWS.
SEX NUTS AND BOLTS
SEX BOLTS ARE REQUIRED FOR PLASTIC, WOOD, METAL COVERED COMPOSITE AND HOLLOW METAL DOORS WITHOUT REINFORCEMENT.

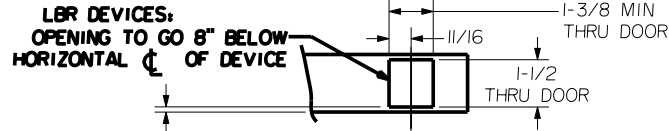
SEX BOLT MACHINING
DRILL 1/4 DIA. INSIDE
DRILL 3/8 DIA. OUTSIDE



S519 TOP STRIKE
(SURFACE APPLIED)

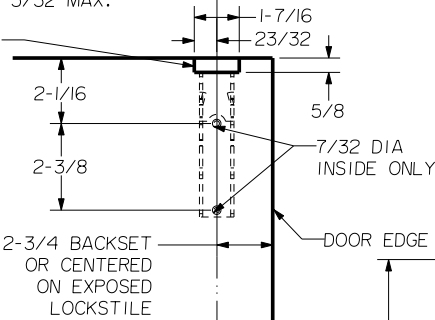


DRILL AND TAP FOR #10-24 SCREWS

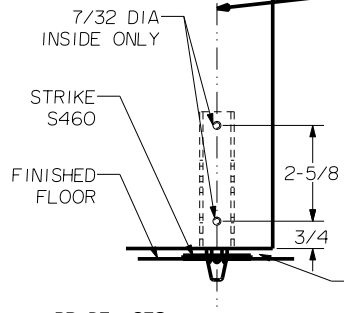
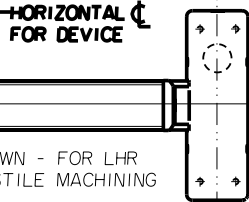


DOOR SKIN PLUS REINFORCEMENT - 5/32 MAX.

NOTCH THRU INSIDE FACE 1-5/8 DEEP



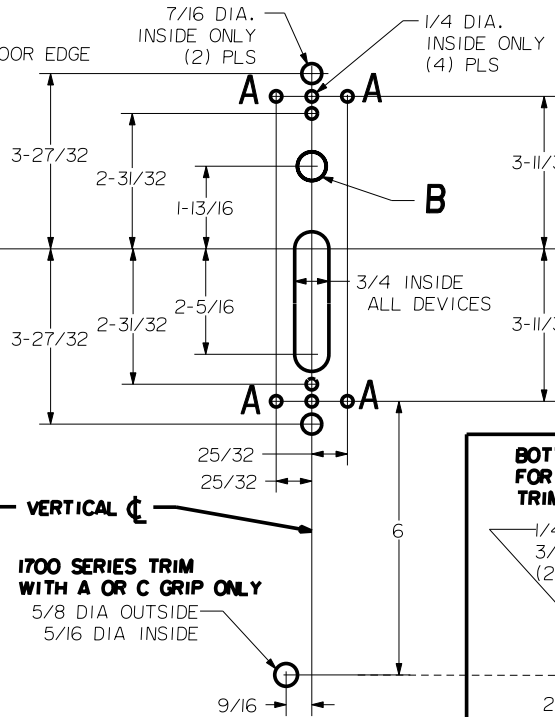
2-3/4 BACKSET OR CENTERED ON EXPOSED LOCKSTILE



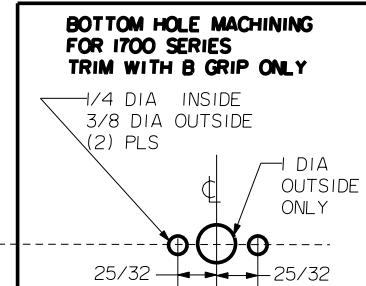
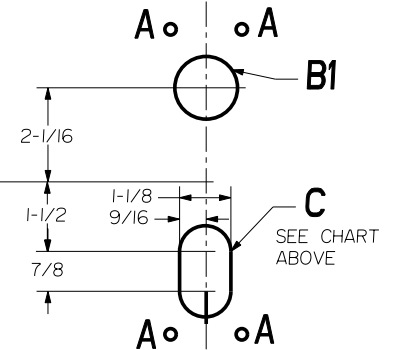
LBR DEVICES:
OMIT BOTTOM BOLT MACHINING.
FIRE BOLT REQ'D FOR FL DEVICES
SEE DRAWING 01297-II-000 FOR DETAILS

HOLE (4) PLS A	DEVICES	TRIMS	HOLE B	HOLE B1	HOLE C
#10-24 TAP INSIDE ONLY	2801.FL2801	EXIT ONLY	NO	NO	NO
	2801.FL2801	C1701,4901			
1/4 DIA INSIDE 3/8 DIA OUTSIDE	2802.FL2802	C1702,4902	5/8 DIA INSIDE ONLY	1-3/8 DIA OUTSIDE ONLY	SLOT OUTSIDE ONLY
	2803.FL2803	C1703,4903			
	2805.FL2805	C1705			
	2808.FL2808	4908,V4908			
	2814.FL2814	4914			
	2815.FL2815	C1715	NO	NO	

DEVICE SIDE MACHINING



TRIM SIDE MACHINING



1700 SERIES TRIM WITH A OR C GRIP ONLY
5/8 DIA OUTSIDE
5/16 DIA INSIDE

ACCOMMODATES 1/4 TO 3/4 GAP

NOTE: "LETTER" AT END OF TRIM MODEL NO. DESIGNATES LEVER OR GRIP STYLE. EXCEPT AS NOTED, LEVER OR GRIP STYLE HAS NO EFFECT ON STILE MACHINING.

Not to scale 1:1. Measurements are for reference only.
Not a drilling template.