

# Modification and Assembly Instructions for Longer Bottom Vertical Rods for 2600, 2700, and 2800 Exit Devices

For online instructions, assistance or warranty information:  
Call 1-800-392-5209 or visit <https://dhwsupport.dormakaba.com/hc/en-us>

These instructions show how to modify an extra-length bottom rod for the Precision 2600, 2700 and 2800 exit devices. Use these instructions to cut and assemble the correct length bottom rod for your device.

See the Installation Instructions that came with your exit device for complete installation details.

You will only need to follow this procedure if you install the exit device higher than the standard mounting height of 39-15/16" from finished floor.

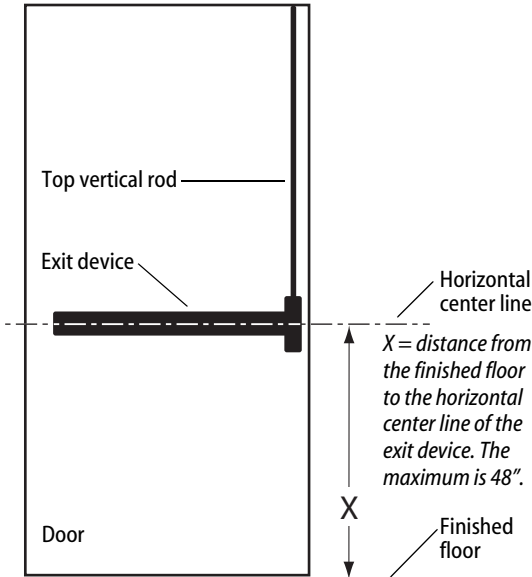


Figure 1 — Measuring the mounting height from finished floor to horizontal centerline of the exit device

## 1 Determine installation height of exit device

- 1 If the exit device is already installed on the door, measure from finished floor to the horizontal centerline of the exit device as shown in Figure 1.

**Note:** According to ADA requirements the maximum height that an exit device can be installed is 48".

- 2 If the exit device is not yet installed, determine the mounting height by referencing the device installation instructions and consulting with the proper authorities.

## 2 Determine proper length bottom rod

- 1 Use the table below to determine the correct length of the bottom rod. All measurements are in inches.

**Caution:** Make sure that you know which device you have before determining bottom rod length.

Mounting height (X) from finished floor to centerline	Rod length for 2600 & 2800 devices	Rod length for 2700 devices
39-15/16	original rod	original rod
41	29	35-1/8
42	30	36-1/8
43	31	37-1/8
44	32	38-1/8
45	33	39-1/8
46	34	40-1/8
47	35	41-1/8
48	36	42-1/8

- 2 For fractional X mounting heights, use the following formula (X is the mounting height of the exit device):

- ◆ 2600 and 2800 rod length = X – (minus) 12 inches
- ◆ 2700 rod length = X – (minus) 5-7/8 inches

**Example:** On a 2600 exit device, if you want the mounting height to be 44.5", calculate the rod length like so:

- ◆ **2600 rod length = 44.5" – 12" = 32.5 inches**

### 3 Modify longer bottom rod

#### For 2600 and 2800 exit devices

- 1 Cut the rod to the length determined in the previous step by removing the material opposite from the end with threads.

**Caution: Do not cut into the threads or cut the threads off.**

- 2 Drill a 0.187 (3/16) inch hole, 0.31 inch from the end as shown in Figure 2.

#### For 2700 exit devices

- 1 Cut the rod to the length determined in the previous steps by removing the material from one (either) end.
- 2 Drill a 0.187 (3/16) inch hole, 0.25 inch from the end as shown in Figure 2.

**Caution: Make sure to drill holes perpendicular to each other. See Figure 2.**

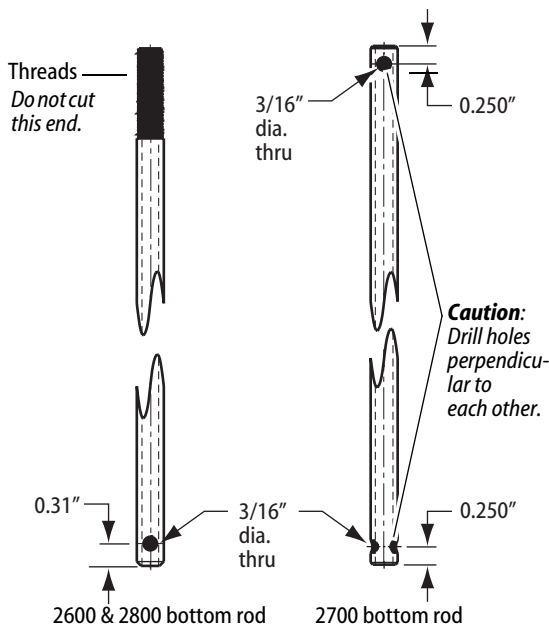


Figure 2 — Drilling the longer bottom rod

### 4 Assemble longer bottom rod

#### For 2600 and 2800 exit devices

- 1 Disassemble the standard bottom rod assembly by removing the C pin, used to hold the shot bolt. See Figure 3.
- 2 Reassemble the modified longer bottom rod as shown in Figure 3.

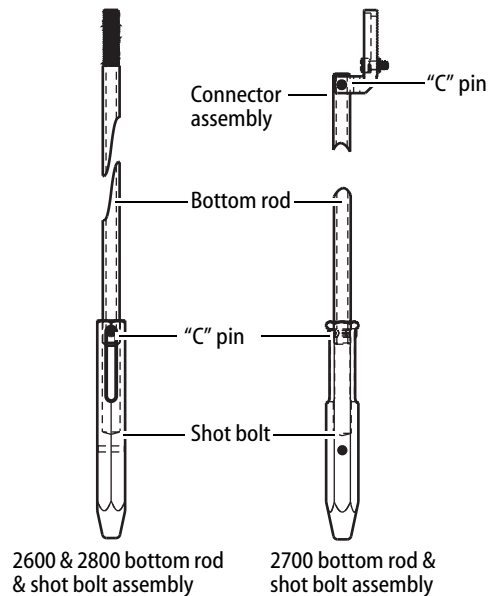


Figure 3 — Assembling the bottom rod to the shot bolt

#### For 2700 exit devices

- 1 Disassemble the standard bottom rod assembly by removing the C pins, used to hold the shot bolt and connector assembly. See Figure 3.
- 2 Reassemble the modified longer bottom rod.

#### For all exit devices

- 3 Complete the installation of the exit device by using the installation instructions supplied with the exit device.