

Installation Specifications: Series 2300, FL2300

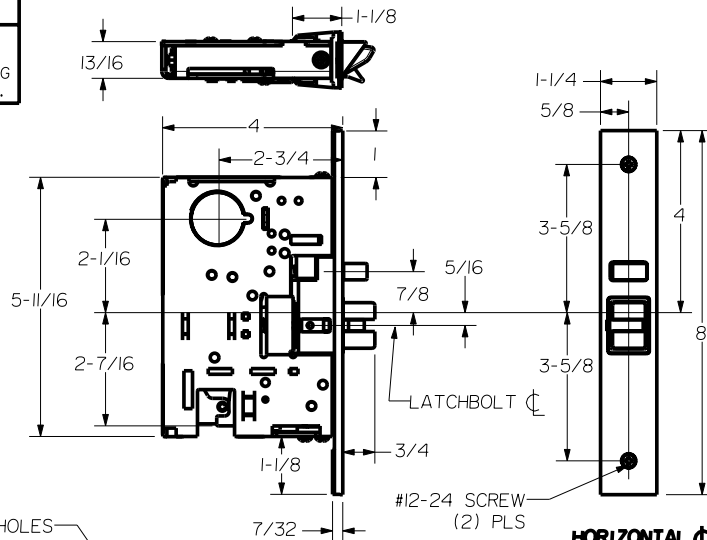
Trim Series: Exit Only, Cyl. Only, 1700, 4900

For online instructions, assistance or warranty information:
Call 1-800-392-5209 or visit <https://dhwsupport.dormakaba.com/hc/en-us>

REINFORCEMENT REQUIREMENTS
PROVIDE ADEQUATE REINFORCEMENT TO METAL COVERED COMPOSITE AND HOLLOW METAL DOORS FOR THE DRILLING AND TAPPING FOR THE MACHINE SCREWS.

SEX NUTS AND BOLTS
SEX BOLTS ARE REQUIRED FOR PLASTIC, WOOD, METAL COVERED COMPOSITE AND HOLLOW METAL DOORS WITHOUT REINFORCEMENT

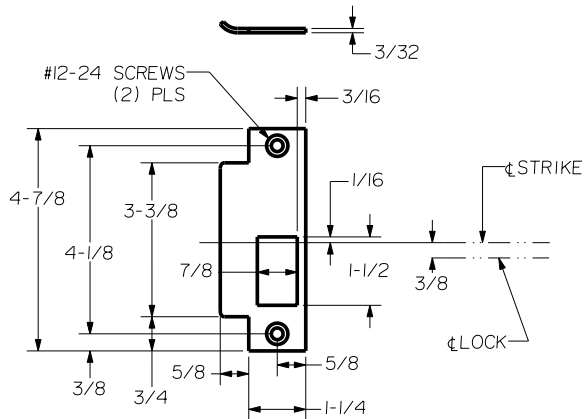
SEX BOLT MACHINING
DRILL 1/4 DIA. INSIDE
DRILL 3/8 DIA. OUTSIDE



PREPARE THESE HOLES AT DEVICE INSTALLATION

HORIZONTAL CL FOR DEVICE AND LOCK

RHR SHOWN - FOR LHR REVERSE STILE MACHINING

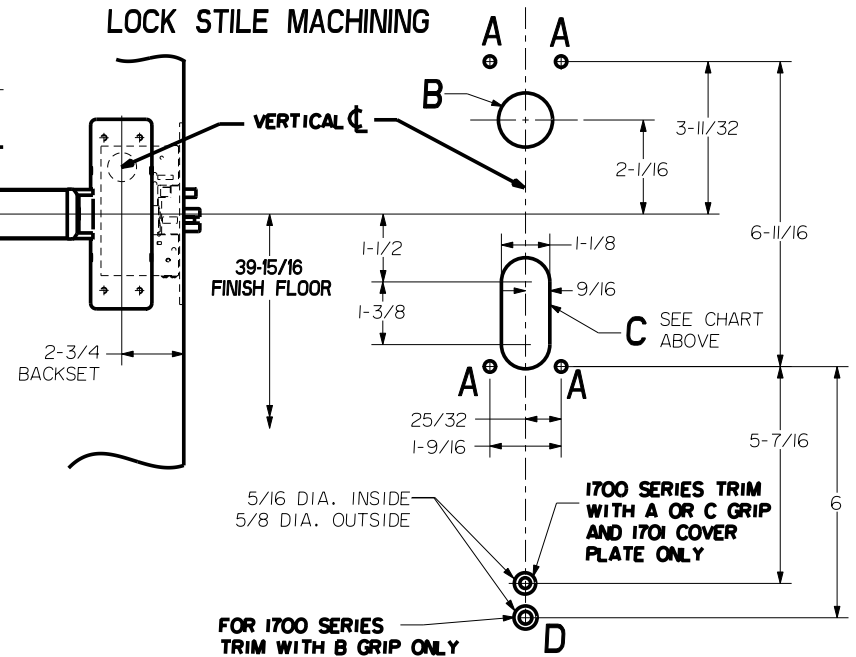


1-1/4 STRIKE S982

S985, S984 OPTIONAL OPEN BACK STRIKES
SEE TEMPLATE NUMBER HM-S985

HOLE (4) PLS	A	DEVICES	TRIMS	HOLE B	HOLE C
#10-24 TAP INSIDE ONLY		230I.FL230I	EXIT ONLY	NO	SLOT INSIDE ONLY
		2303.FL2303	CYL ONLY	1-3/16 DIA OUTSIDE	
1/4 DIA INSIDE 3/8 DIA OUTSIDE		230I.FL230I	170I, 490I	NO	SLOT THRU DOOR
		2302.FL2302	1702, 4902	1-3/8 DIA OUTSIDE ONLY	
		2303.FL2303	1703, M4903		
		E2303.FL2303	M4908, VM4908	1-3/8 DIA THRU DOOR	
		2305.FL2305	M1705		
		2308.FL2308	M4908	NO	
		2310.FL2310	MV4908		
2314.FL2314	M4914	NO			
2315.FL2315	M1715				

LOCK STILE MACHINING



NOTE:
"LETTER" AT END OF TRIM MODEL NO. DESIGNATES LEVER OR GRIP STYLE. EXCEPT AS NOTED, LEVER OR GRIP STYLE HAS NO EFFECT ON STILE MACHINING.

Not to scale 1:1. Measurements are for reference only.
Not a drilling template.