

Quick Connect User Guide




For online instructions, assistance or warranty information:
Call 1-800-392-5209 or visit <https://dhwsupport.dormakaba.com/hc/en-us>

Contents

- 3** Wire Harness
- 3** Harness Pin Out and Wire Colors
- 4** Pin Assembly Guide
- 4** Exit Device Installation
- 6** Mortise Device Installation
- 8** 9K Cylindrical Installation
- 9** Power Transfer (EPT) Installation
- 10** Electrified Hinge Installation

CAUTION: DISCONNECT ALL INPUT POWER BEFORE BEGINNING INSTALLATION TO PREVENT ELECTRICAL SHOCK AND EQUIPMENT DAMAGE.

1. Installer must be a trained, experienced service person.
2. All wiring must comply with applicable local electrical codes, ordinances and regulations.

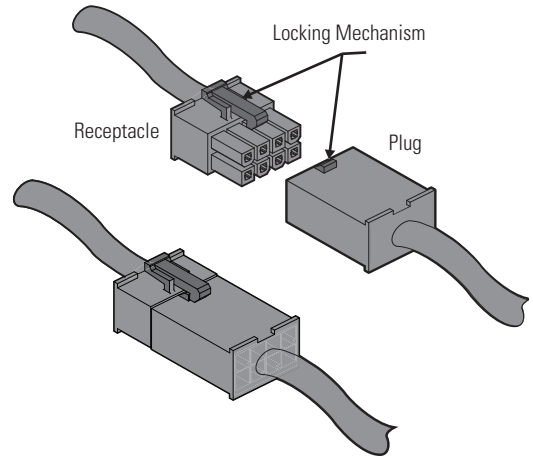
 The system is designed to be installation friendly with quick connectors from the electric hinge or power transfer through the door to the rail. The only wiring required is to the loose wires on the wire extension (WH-6E) or pigtail harness assembly on the frame side of the electric hinge.

Important

The plug and receptacle connectors are designed to mate and lock together as shown in the figure. Plug the connectors into each other with the locking mechanism aligned as indicated.

Do NOT force connectors on any other way.

1. A harness with 8 and 4-pin connectors will be pre-installed inside the door by the door manufacturer when specified during ordering process. The harness kits are also available for retrofit applications. For retrofit applications refer to retrofit instructions.
2. Wiring to a harness is per facility and code wiring requirement. The wire colors of the Quick Connect do not match up to the device being installed. So care will need to be taken when troubleshooting. This document identifies and defines the wire colors at the different positions in the assembly.
3. If door does not have a jumper harness with connectors, consult the catalog for a Wire Extension (WH-6E) or cut connectors off product and hard wire as required.



Wire Harness

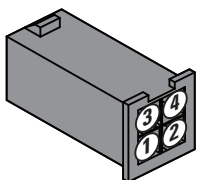
The Harnesses are available in two wire harness configurations for the WH series. One version is fully terminated and has the connector bodies installed on both ends. The second version is fully terminated, but only has the connector bodies installed on one end. This harness is identified by a "P" designation at the end of the number. This configuration allows for the user to install the harness through the Specified hole size that is listed in the product installation instructions. *Please note that if you choose to use the WH series harness that have connectors at both ends the installation hole size for the wiring will need to be increased to 1".* Additionally, there is a wire extension (WH-6E) which can be used to make the connection from the Quick Connect to the hardwired connection.

Catalog Code	Description	Catalog Code	Description
WH-3	3" Wire Harness Terminated with Connectors on Both Ends	WH-3P	3" Wire Harness Terminated with Connectors on One End Only
WH-6	6" Wire Harness Terminated with Connectors on Both Ends	WH-6P	6" Wire Harness Terminated with Connectors on One End Only
WH-9	9" Wire Harness Terminated with Connectors on Both Ends	WH-9P	9" Wire Harness Terminated with Connectors on One End Only
WH-12	12" Wire Harness Terminated with Connectors on Both Ends	WH-12P	12" Wire Harness Terminated with Connectors on One End Only
WH-26	26" Wire Harness Terminated with Connectors on Both Ends	WH-26P	26" Wire Harness Terminated with Connectors on One End Only
WH-32	32" Wire Harness Terminated with Connectors on Both Ends	WH-32P	32" Wire Harness Terminated with Connectors on One End Only
WH-38	38" Wire Harness Terminated with Connectors on Both Ends	WH-38P	38" Wire Harness Terminated with Connectors on One End Only
WH-44	44" Wire Harness Terminated with Connectors on Both Ends	WH-44P	44" Wire Harness Terminated with Connectors on One End Only
WH-50	50" Wire Harness Terminated with Connectors on Both Ends	WH-50P	50" Wire Harness Terminated with Connectors on One End Only
WH-192	192" Wire Harness Terminated with Connectors on Both Ends	WH-192P	192" Wire Harness Terminated with Connectors on One End Only

WH-6E	6" Wire Extension Terminated and connectors on One End Only
-------	---

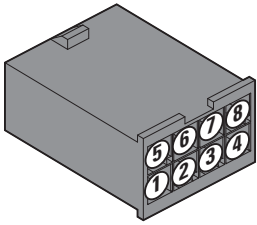
Please note that if you choose to use the WH series harness that have connectors at both ends the installation hole size for the wiring will need to be increased to 1".

Harness Pin Out and Wire Colors



4 Pin Connector	Pin 1	Pin 2	Pin 3	Pin 4
Wire Color	Red	Pink	Gray	Black
Wire Gauge	18 AWG	24 AWG	24 AWG	18 AWG

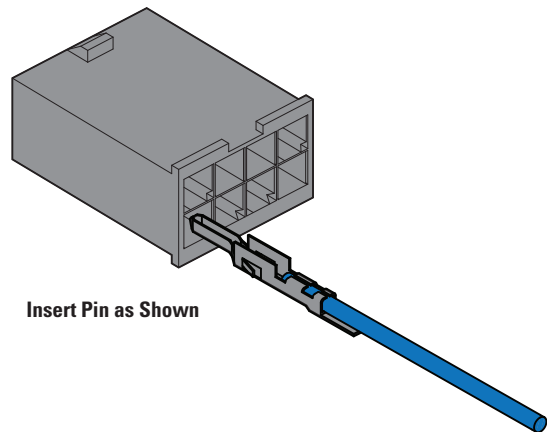
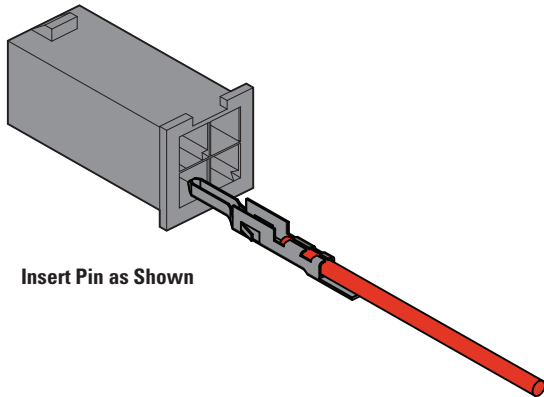
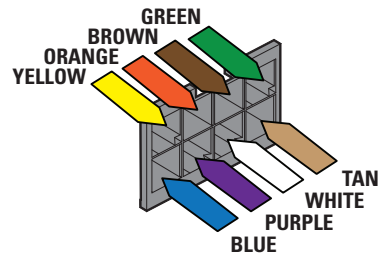
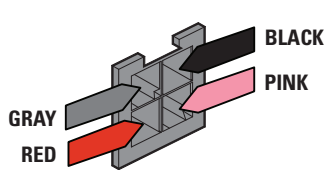
Harness Pin Out and Wire Colors (Con't)



8 Pin Connector	Pin 1	Pin 2	Pin 3	Pin 4	Pin 5	Pin 6	Pin 7	Pin 8
Wire Color	Blue	Purple	White	Tan	Yellow	Orange	Brown	Green
Wire Gauge	24 AWG	24 AWG	24 AWG	24 AWG	24 AWG	24 AWG	24 AWG	24 AWG

Pin Assembly Guide

This can be used to aid in the assembly of a pinned wire harness.



Exit Device Installation

The below details the installation of the electrical connections using the Quick Connect. For all other installation information and troubleshooting consult the product installation instructions.



Exit Device Installation (Con't)

Installation

1. Mount the exit device per instruction sheet provided with the device. Plug jumper connector into electric hinge or power transfer connector. Mount electric hinge to door. If using power transfer (EPT), mount the EPT to the frame. Once door is installed then plug in the connectors

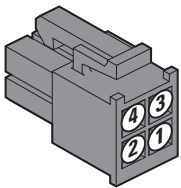
To insure trouble free operation, check that the push rail can be fully depressed. On vertical rod exit devices, check that the latch bolts do not go into hold back position until the push rail is fully depressed. Plug rail connector into jumper connector then feed through hole in door. Install rail mounting bracket with two screws supplied. Install rail end cap..

2. Go to (a) if wiring now. Go to (b) if wiring is to be done later.

- Wire loose frame side wires to loose wires on pigtail harness as required using connectors allowed by local code. Plug wire harness connector into electric hinge or power transfer connectors. Feed harnesses through frame prep and mount electric hinge. Apply power and test exit device.
- Plug wire harness connector into electric hinge connector. Feed harnesses through frame prep and mount electric hinge.

Electric Latch Retraction (ELR)

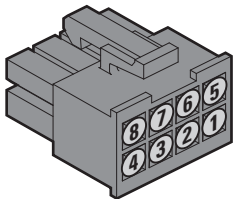
The Electric Latch Retraction (ELR) pin out is shown below as it comes out of the Exit Device. The wiring for this function is specific to the 4 pin connector. The 4 pin connector contains two 18 AWG wires that will support this function on the PHI Exit Device. The wire colors coming out of the device are listed below.



4 Pin Connector	Pin 1	Pin 2	Pin 3	Pin 4
Wire Color	White	Black	Black	White
Wire Gauge	18 AWG	24 AWG	24 AWG	18 AWG
ELR Circuit	Solenoid	Feedback Switch	Feedback Switch	Solenoid

Touch Bar Monitoring Switch (TS)

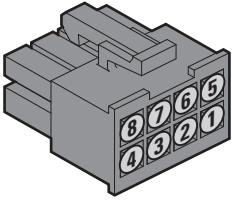
The Touch Bar Monitoring Switch (TS) pin out is shown below as it comes out of the Exit Device. The wiring for this function is specific to the 8 pin connector. The 8 pin connector contains three 24 AWG wires that will support this function on the PHI Exit Device. The wire colors coming out of the device are listed below. The Quick Connect *DOES NOT* support the TDS feature. To use the TDS feature the unit must be hard wired through an Power Transfer device.



8 Pin Connector	Pin 1	Pin 2	Pin 3	Pin 4	Pin 5	Pin 6	Pin 7	Pin 8
Wire Color	Blue	Violet	Red	N/A	N/A	N/A	N/A	N/A
Wire Gauge	24 AWG	24 AWG	24 AWG	N/A	N/A	N/A	N/A	N/A
TS Circuit	Common	Normally Closed	Normally Open	N/A	N/A	N/A	N/A	N/A

Latchbolt Monitoring Switch (LS)

The Latchbolt Monitoring Switch (LS) pin out is shown below as it comes out of the Exit Device. The wiring for this function is specific to the 8 pin connector. The 8 pin connector contains three 24 AWG wires that will support this function on the PHI Exit Device. The wire colors coming out of the device are listed below. The Quick Connect *DOES NOT* support the LDS feature. To use the LDS feature the unit must be hard wired through an Power Transfer device.



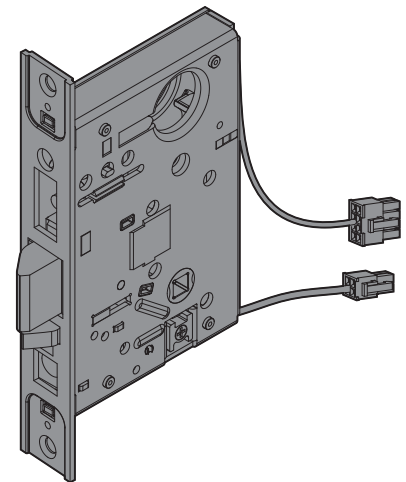
8 Pin Connector	Pin 1	Pin 2	Pin 3	Pin 4	Pin 5	Pin 6	Pin 7	Pin 8
Wire Color	N/A	N/A	N/A	Tan	Yellow	Orange	N/A	N/A
Wire Gauge	N/A	N/A	N/A	24 AWG	24 AWG	24 AWG	N/A	N/A
LS Circuit	N/A	N/A	N/A	Common	Normally Closed	Normally Open	N/A	N/A

Mortise Device Installation

The below details the installation of the electrical connections using the Quick Connect. For all other installation information and troubleshooting consult the product installation instructions.

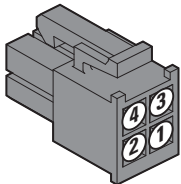
Installation

1. Plug Mortise connectors into jumper connector and plug TCM into the lockset. Plug Quick Connect end of the TCM into the harness and then feed through hole in door
2. Plug jumper connector into electric hinge or power transfer connector. Mount electric hinge to door. If using power transfer (EPT), mount the EPT to the frame. Once door is installed then plug in the connectors. Mount the Mortise per instruction sheet provided with the lockset.
3. Go to (a) if wiring now. Go to (b) if wiring is to be done later.
 - a. Wire loose frame side wires to loose wires on pigtail harness as required using connectors allowed by local code. Plug wire harness connector into electric hinge or power transfer connectors. Feed harnesses through frame prep and mount electric hinge. Apply power to test mortise lockset.
 - b. Plug wire harness connector into electric hinge connector. Feed harnesses through frame prep and mount electric hinge.



12 and 24 Volt Power

The Power connection pin out is shown below as it comes out of the Mortise. The wiring for this function is specific to the 4 pin connector. The 4 pin connector contains two 18 AWG wires that will support this function on the Mortise device. The wire colors coming out of the device are listed below.

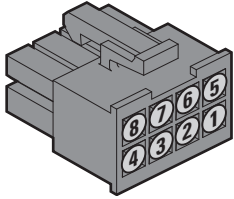


4 Pin Connector	Pin 1	Pin 2	Pin 3	Pin 4
Wire Color	Red	N/A	N/A	Black
Wire Gauge	18 AWG	N/A	N/A	18 AWG
12V and 24V	Power (+)	N/A	N/A	Power (-)

Mortise Device Installation (Con't)

Request to Exit (RQE) Status

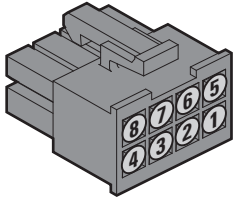
The Request to Exit (RQE) status pin out is shown below as it comes out of the Mortise. The wiring for this function is specific to the 8 pin connector. The 8 pin connector contains four 24 AWG wires that will support this function on the Mortise device. The wire colors coming out of the device are listed below.



8 Pin Connector	Pin 1	Pin 2	Pin 3	Pin 4	Pin 5	Pin 6	Pin 7	Pin 8
Wire Color	Brown	Orange	N/A	N/A	N/A	N/A	Brown	Orange
Wire Gauge	24 AWG	24 AWG	N/A	N/A	N/A	N/A	24 AWG	24 AWG
RQE Status	Normally Open (case)	Normally Open (case)	N/A	N/A	N/A	N/A	Normally Open (cover)	Normally Open (cover)

Latchbolt Status

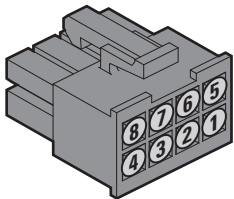
The Latchbolt status pin out is shown below as it comes out of the Mortise. The wiring for this function is specific to the 8 pin connector. The 8 pin connector contains two 24 AWG wires that will support this function on the Mortise device. The wire colors coming out of the device are listed below.



8 Pin Connector	Pin 1	Pin 2	Pin 3	Pin 4	Pin 5	Pin 6	Pin 7	Pin 8
Wire Color	N/A	N/A	Violet	Violet	N/A	N/A	N/A	N/A
Wire Gauge	N/A	N/A	24 AWG	24 AWG	N/A	N/A	N/A	N/A
LatchBolt Status	N/A	N/A	Normally Closed	Normally Closed	N/A	N/A	N/A	N/A

Door Status

The Door status pin out is shown below as it comes out of the Mortise. The wiring for this function is specific to the 8 pin connector. The 8 pin connector contains two 24 AWG wires that will support this function on the Mortise device. The wire colors coming out of the device are listed below.



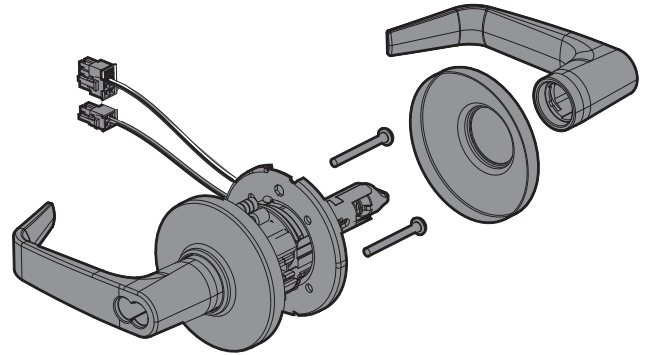
8 Pin Connector	Pin 1	Pin 2	Pin 3	Pin 4	Pin 5	Pin 6	Pin 7	Pin 8
Wire Color	N/A	N/A	N/A	N/A	White	White	N/A	N/A
Wire Gauge	N/A	N/A	N/A	N/A	24 AWG	24 AWG	N/A	N/A
Door Status	N/A	N/A	N/A	N/A	Normally Open	Normally Open	N/A	N/A

9K Cylindrical Installation

The below details the installation of the electrical connections using the Quick Connect. For all other installation information and troubleshooting consult the product installation instructions.

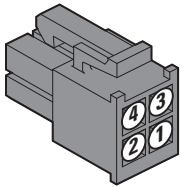
Installation

1. Plug 9K RQE connector(if present) into jumper connector. Plug TCM into the lock and plug Quick Connect end of the TCM into the harness and then feed harness through hole in door. Install 9K lockset per instructions.
2. Plug jumper connector into electric hinge or power transfer connector. Mount electric hinge to door. If using power transfer (EPT), mount the EPT to the frame.
3. Go to (a) if wiring now. Go to (b) if wiring is to be done later.
 - a. Wire loose frame side wires to loose wires on pigtail harness as required using connectors allowed by local code. Plug wire harness connector into electric hinge or power transfer connectors. Feed harnesses through frame prep and mount electric hinge. Apply power to test cylindrical lockset.
 - b. Plug wire harness connector into electric hinge connector. Feed harnesses through frame prep and mount electric hinge.



12 and 24 Volt Power

The Power connection pin out is shown below as it comes out of the 9K Lockset. The wiring for this function is specific to the 4 pin connector. The 4 pin connector contains two 18 AWG wires that will support this function on the Cylindrical device. The wire colors coming out of the device are listed below.

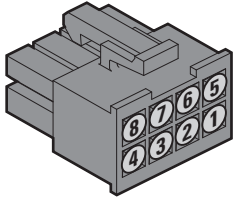


4 Pin Connector	Pin 1	Pin 2	Pin 3	Pin 4
Wire Color	Red	N/A	N/A	Black
Wire Gauge	18 AWG	N/A	N/A	18 AWG
12V and 24V	Power (+)	N/A	N/A	Power (-)

9K Cylindrical Installation (Con't)

Request to Exit (RQE) Status

The Request to Exit (RQE) status pin out is shown below as it comes out of the 9K Lockset. The wiring for this function is specific to the 8 pin connector. The 8 pin connector contains three 24 AWG wires that will support this function on the Cylindrical device. The wire colors coming out of the device are listed below.



8 Pin Connector	Pin 1	Pin 2	Pin 3	Pin 4	Pin 5	Pin 6	Pin 7	Pin 8
Wire Color	N/A	N/A	N/A	N/A	N/A	Orange	Brown	Green
Wire Gauge	N/A	N/A	N/A	N/A	N/A	24 AWG	24 AWG	24 AWG
RQE Status	N/A	N/A	N/A	N/A	N/A	Normally Open	Common	Normally Closed

Power Transfer (EPT) Installation

The below details the installation of the electrical connections using the Quick Connect. For all other installation information and troubleshooting consult the product installation instructions.

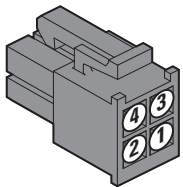


CAUTION: DISCONNECT ALL INPUT POWER BEFORE BEGINNING INSTALLATION TO PREVENT ELECTRICAL SHOCK AND EQUIPMENT DAMAGE.

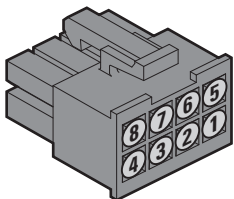
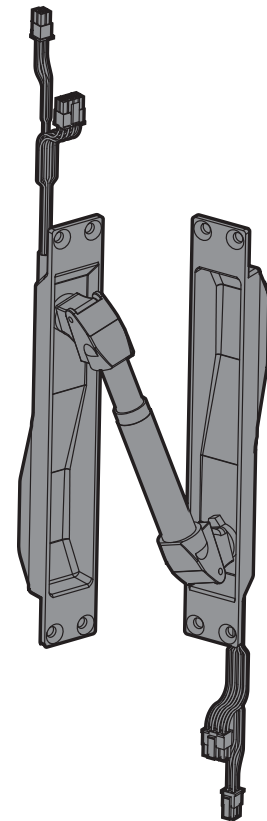
1. Installer must be a trained, experienced service person.
2. All wiring must comply with applicable local electrical codes, ordinances and regulations.

Installation

1. Mount the Power Transfer (EPT) per instruction sheet provided with the device.
2. Once door is installed then plug the connectors.



4 Pin Connector	Pin 1	Pin 2	Pin 3	Pin 4
Wire Color	Red	Pink	Gray	Black
Wire Gauge	18 AWG	24 AWG	24 AWG	18 AWG



8 Pin Connector	Pin 1	Pin 2	Pin 3	Pin 4	Pin 5	Pin 6	Pin 7	Pin 8
Wire Color	Blue	Purple	White	Tan	Yellow	Orange	Brown	Green
Wire Gauge	24 AWG	24 AWG	24 AWG	24 AWG	24 AWG	24 AWG	24 AWG	24 AWG

Electrified Hinge Installation

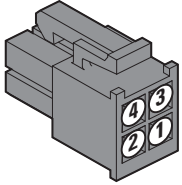
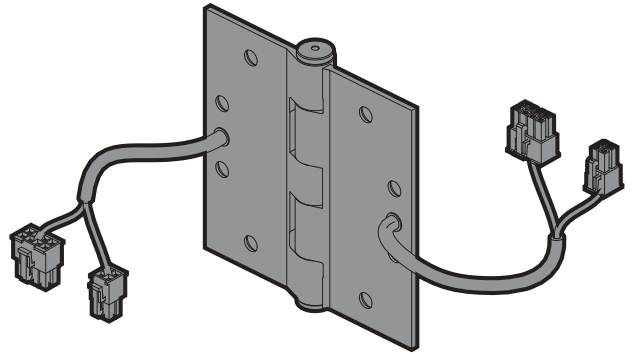
The below details the installation of the electrical connections using the Quick Connect. For all other installation information and troubleshooting consult the product installation instructions.

CAUTION: DISCONNECT ALL INPUT POWER BEFORE BEGINNING INSTALLATION TO PREVENT ELECTRICAL SHOCK AND EQUIPMENT DAMAGE.

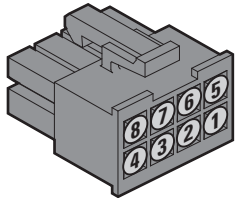
1. Installer must be a trained, experienced service person.
2. All wiring must comply with applicable local electrical codes, ordinances and regulations.

Installation

1. Mount the Electrified Hinge per instruction sheet provided with the device.
2. Once door is installed then plug the connectors.



4 Pin Connector	Pin 1	Pin 2	Pin 3	Pin 4
Wire Color	Red	Pink	Gray	Black
Wire Gauge	18 AWG	28 AWG	28 AWG	18 AWG



8 Pin Connector	Pin 1	Pin 2	Pin 3	Pin 4	Pin 5	Pin 6	Pin 7	Pin 8
Wire Color	Blue	Purple	White	Tan	Yellow	Orange	Black	Green
Wire Gauge	28 AWG	28 AWG	28 AWG	28 AWG	28 AWG	28 AWG	28 AWG	28 AWG