

Series: Precision 21 – Wood & Hollow Metal Door Preparation



dormakaba Group

For online instructions, assistance or warranty information:
Call 1-800-392-5209 or visit <https://dhwsupport.dormakaba.com/hc/en-us>

Reinforcement requirements

Provide adequate reinforcement to metal-covered composite and hollow metal doors for drilling and tapping for machine screws.

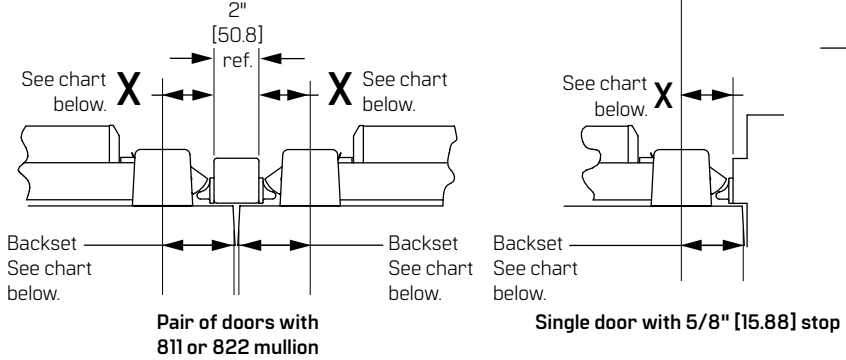
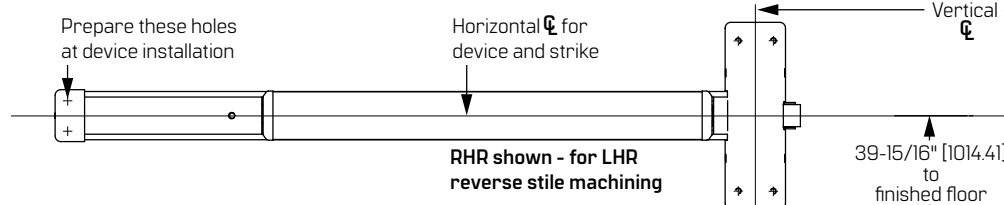
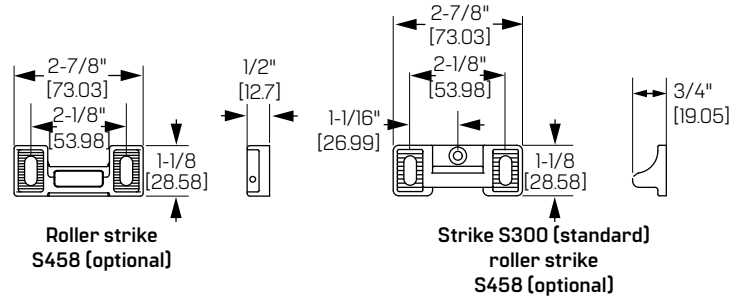
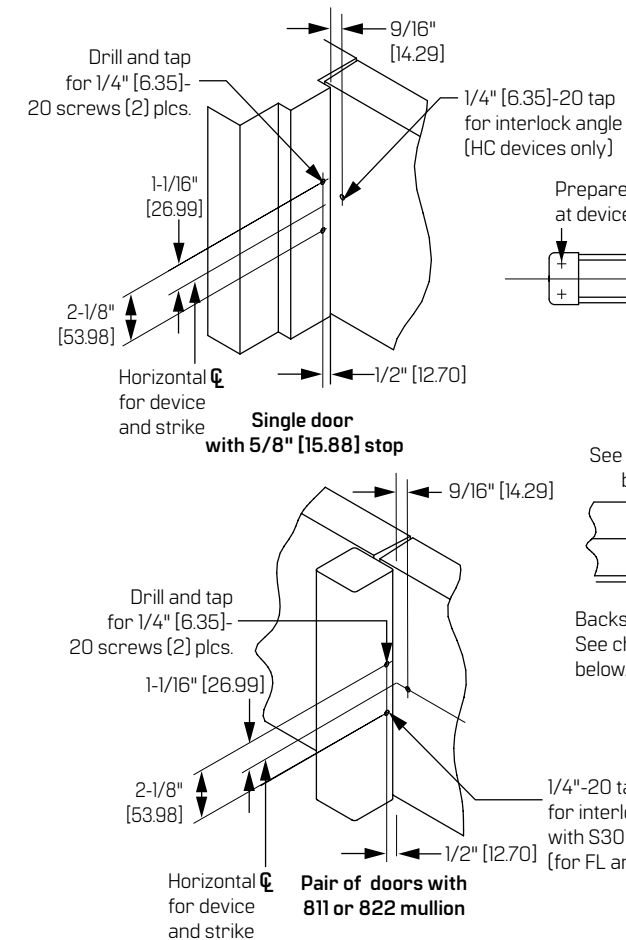
Sex nuts and bolts

Sex bolts are required for plastic, wood, metal-covered composite and hollow metal doors without reinforcement.

Sex bolt machining

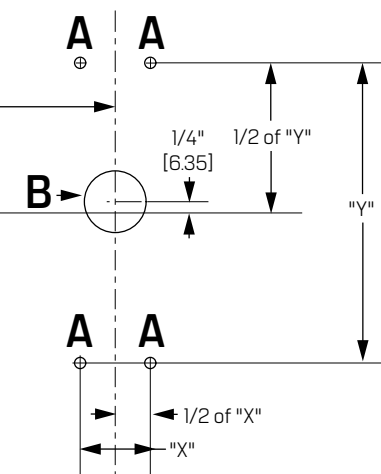
Drill 1/4" [6.35] dia. inside
Drill 3/8" [9.53] dia. outside

A-hole [4] plcs.	Devices	Trims	B-hole
#10-24 tap inside only	21, FL21	Cylinder only	1-3/16" [30.16] dia. outside 1-3/8" [34.93] dia. inside
1/4" [6.35] dia. inside	21, FL21	See trim instructions	1" [25.4] dia. min.



NOTE: This device is compatible with other manufacturers' access control exterior trim. Refer to instructions for mounting of trim.

Lock stile machining



"X" dim.	"Y" dim.
1-9/16" [39.69]	6-11/16" [169.86]
Alternate holes	
1-3/8" [34.93]	7" [177.8]

Strike	Application	Backset	Minimum stile	Dimension X
S300, S301	Single door	2-3/4" [69.85]	4-1/4" [107.95]	2-1/4" [57.15]
	Pair of doors	3-1/8" [79.38]	4-5/8" [117.48]	
S458	Single door	2-9/16" [65.09]	4" [101.6]	2-1/16" [52.39]
	Pair of doors	2-15/16" [74.61]	4-3/8" [111.13]	