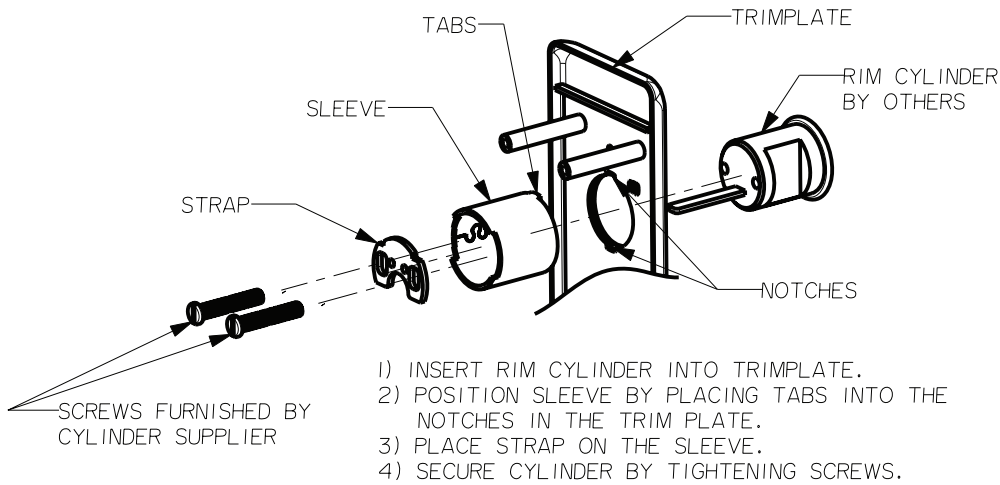


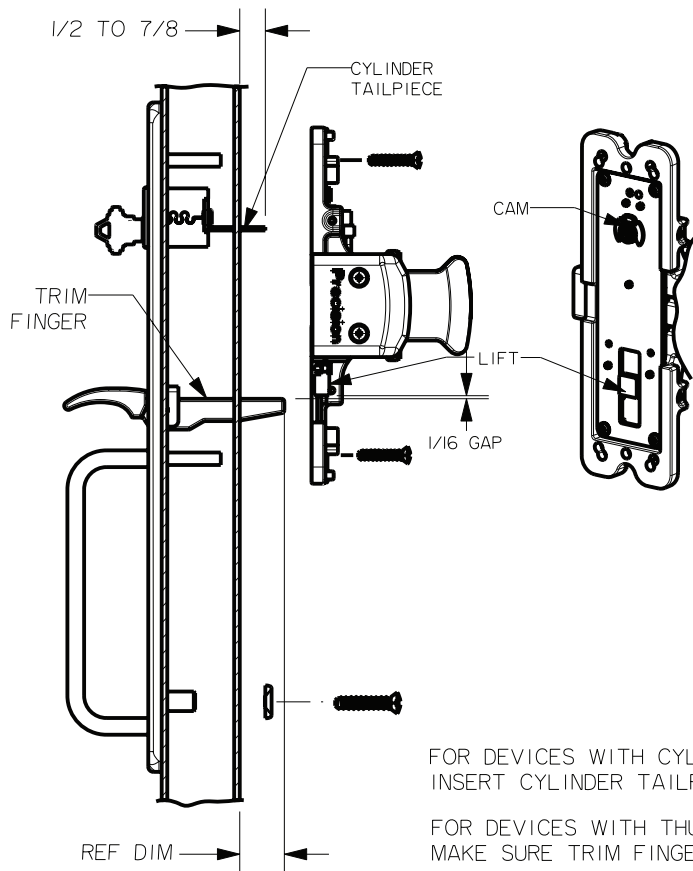
# 1700 Series Trim Instructions (See Template for Door Preparation)

For online instructions, assistance or warranty information:  
Call 1-800-392-5209 or visit <https://dhwsupport.dormakaba.com/hc/en-us>

## RIM CYLINDER INSTALLATION



## TRIM INSTALLATION



NOTE:  
REF DIM DOES NOT APPLY  
TO MORTISE DEVICE TRIMS

DEVICE TYPE	DOOR THK.	REF DIM
TOUCHBAR DEVICE	1-3/4	1
	2	3/4
	2-1/4	1/2
CROSSBAR DEVICE	1-3/4	7/16
	2	3/16
	2-1/4	-1/16

FOR DEVICES WITH CYLINDER FUNCTION,  
INSERT CYLINDER TAILPIECE INTO THE CAM

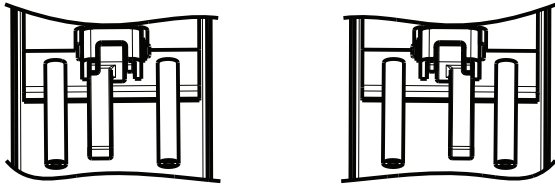
FOR DEVICES WITH THUMBPIECE  
MAKE SURE TRIM FINGER IS UNDER THE LIFT WITH 1/16 GAP.

SECURE THE CHASSIS TO THE TRIM WITH SCREWS

# MORTISE TRIM - CYLINDER INSTALLATION/HANDING CHANGE

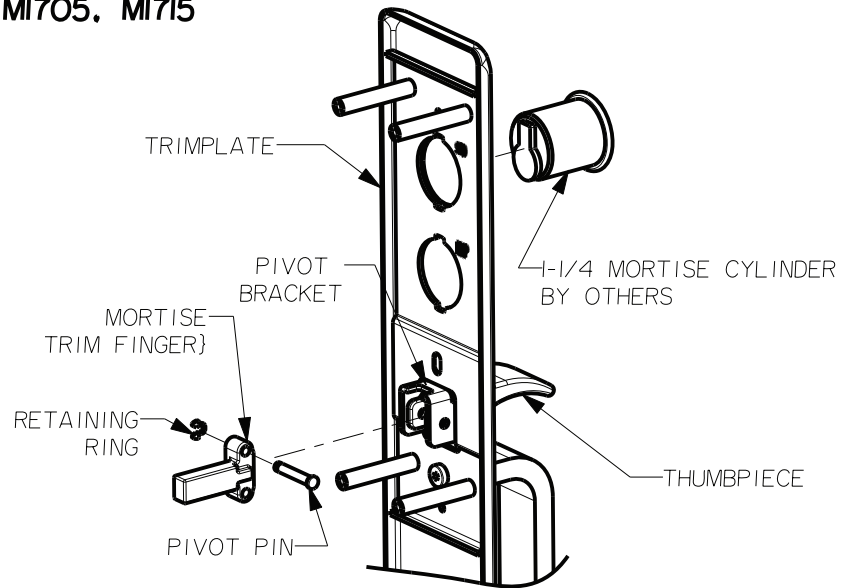
MI705, MI715

- 1) THREAD CYLINDER INTO THE MORTISE LOCK THROUGH TRIM ASSEMBLY.
- 2) SECURE WITH SCREW THROUGH MORTISE LOCK FRONT.



TRIM FINGER  
RHRB POSITION

TRIM FINGER  
LHRB POSITION

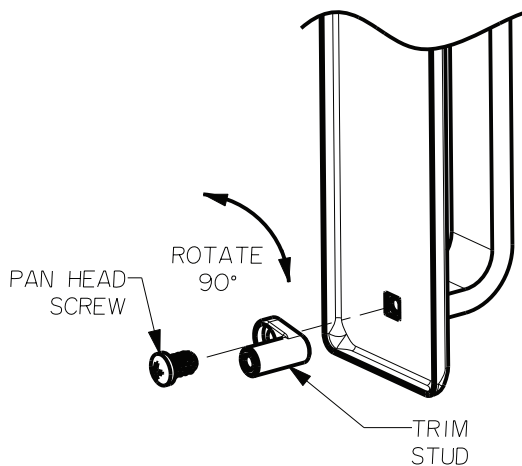


- 1) REMOVE TRIM FINGER BY REMOVING RETAINING RING AND PIVOT PIN.
- 2) ROTATE TRIM FINGER 180° AND REASSEMBLE WITH PIVOT PIN AND RETAINING RING AS SHOWN.

## SERIES C1700 TRIM

### **C1700A AND C1700C SERIES TRIM**

TO CONVERT STANDARD 1700A, 1700C SERIES TRIM FOR 2800 SERIES CONCEALED VERTICAL ROD DEVICES



- 1) REMOVE TRIM STUD BY REMOVING SCREW.
- 2) ROTATE TRIM STUD 90° AS SHOWN AND SECURE IT WITH THE SCREW.

### **C1700B SERIES TRIM**

BOTTOM THRU BOLTS SHOWN FOR REFERENCE ONLY

