

# Mortise Device 300 & FL300 Series x 2000 & M2000 Trim Hollow Metal Door

Trim Series: 2000  
Device Series: 300, FL300  
Strike: S982

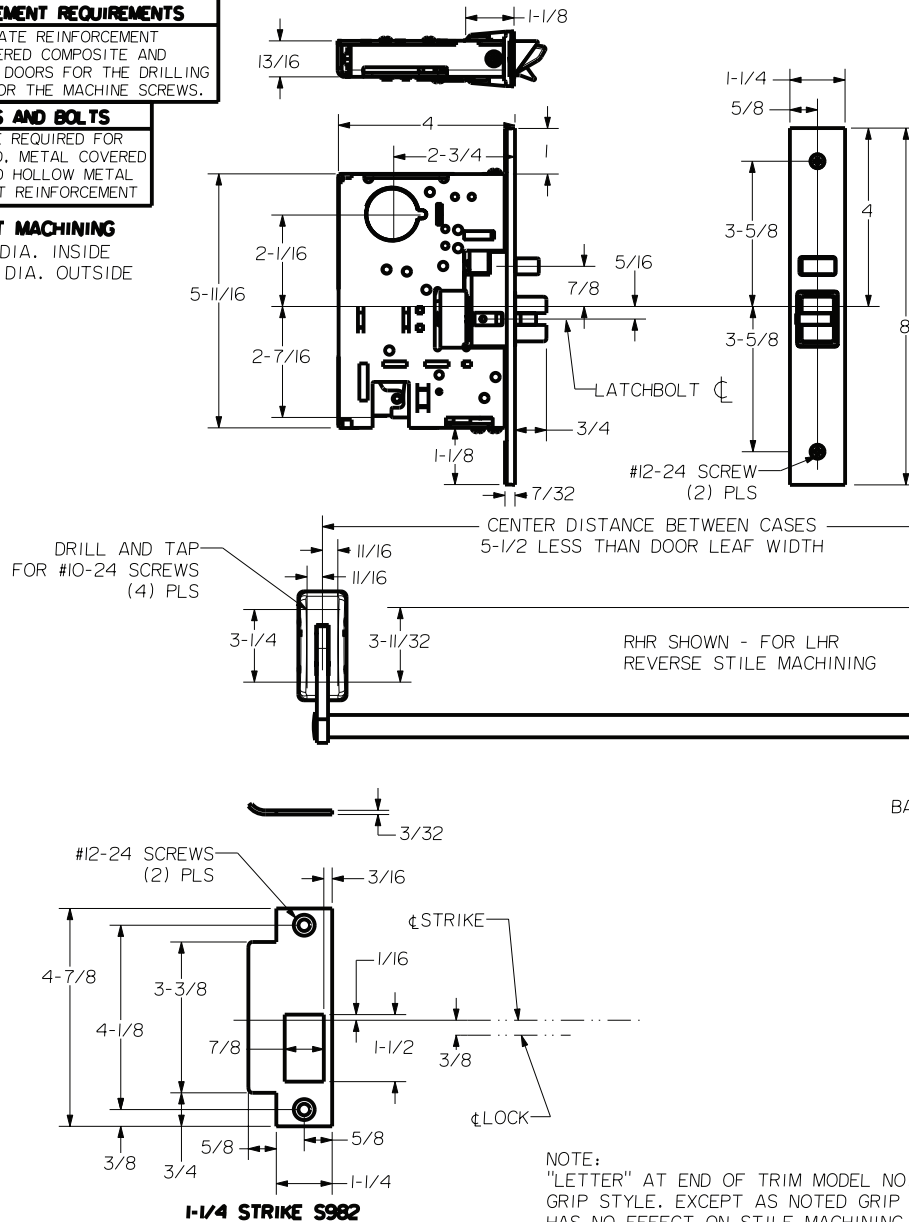


For online instructions, assistance or warranty information:  
Call 1-800-392-5209 or visit <https://dhwsupport.dormakaba.com/hc/en-us>

**REINFORCEMENT REQUIREMENTS**  
PROVIDE ADEQUATE REINFORCEMENT TO METAL COVERED COMPOSITE AND HOLLOW METAL DOORS FOR THE DRILLING AND TAPPING FOR THE MACHINE SCREWS.

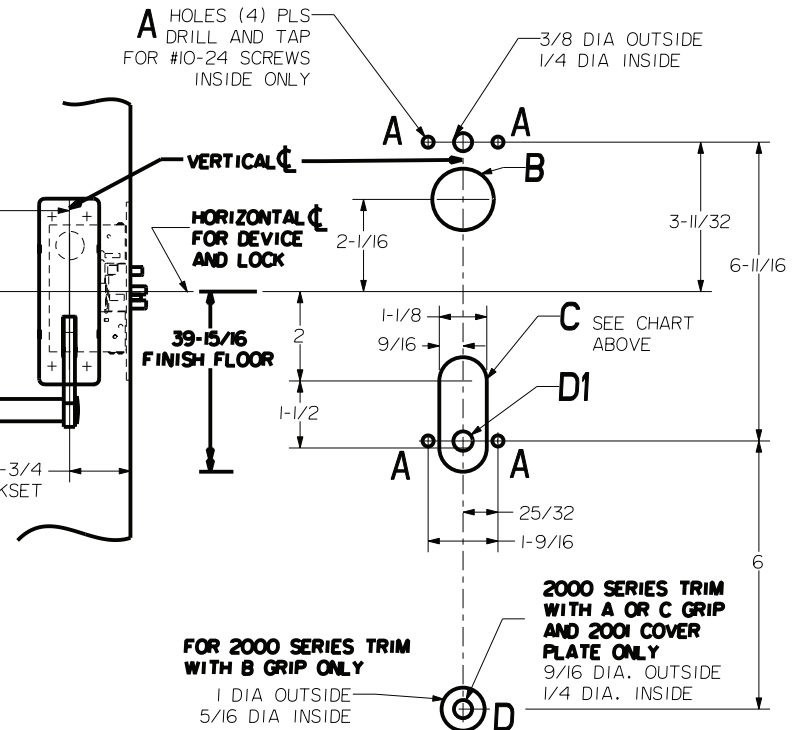
**SEX NUTS AND BOLTS**  
SEX BOLTS ARE REQUIRED FOR PLASTIC, WOOD, METAL COVERED COMPOSITE AND HOLLOW METAL DOORS WITHOUT REINFORCEMENT

**SEX BOLT MACHINING**  
DRILL 1/4 DIA. INSIDE  
DRILL 3/8 DIA. OUTSIDE



DEVICES	TRIMS	HOLE B 1-3/8 DIA. THRU DOOR	SLOT C	D1
301.FL301	2001	NO	INSIDE ONLY	3/8 DIA OUTSIDE
302.FL302	2002	NO		
303.FL303	2003	YES	THRU DOOR	NO
305.FL305	M2005	NO		
315.FL315	M2015	NO		

## LOCK STILE MACHINING



NOTE:  
"LETTER" AT END OF TRIM MODEL NO. DESIGNATES GRIP STYLE. EXCEPT AS NOTED GRIP STYLE HAS NO EFFECT ON STILE MACHINING.

S985, S984 OPTIONAL OPEN BACK STRIKES  
SEE TEMPLATE NUMBER HM-S985