

Mortise Device 300 & FL300 Series x 1700, M1700, 4900 & M4900 Trim Hollow Metal Door

Trim Series: Exit Only, CYL Only, 1700, 4900
 Device Series: 300, FL300
 Strike: S982

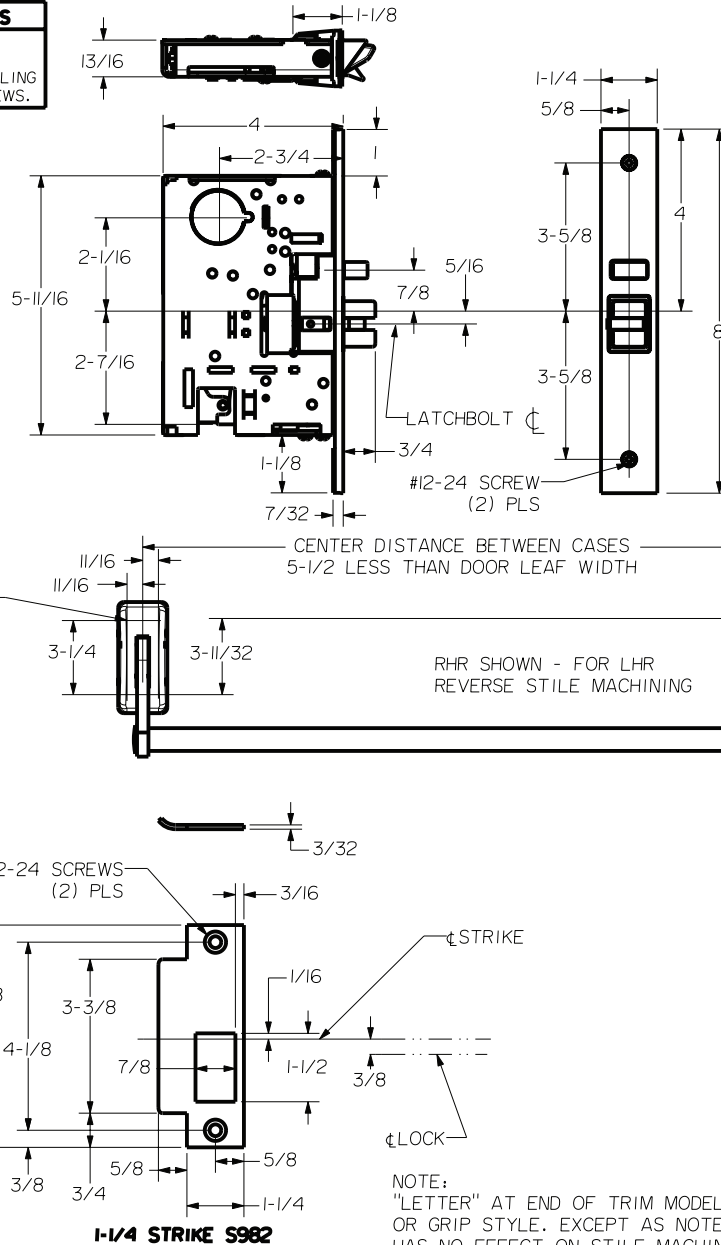


For online instructions, assistance or warranty information:
 Call 1-800-392-5209 or visit <https://dhwsupport.dormakaba.com/hc/en-us>

REINFORCEMENT REQUIREMENTS
 PROVIDE ADEQUATE REINFORCEMENT TO METAL COVERED COMPOSITE AND HOLLOW METAL DOORS FOR THE DRILLING AND TAPPING FOR THE MACHINE SCREWS.

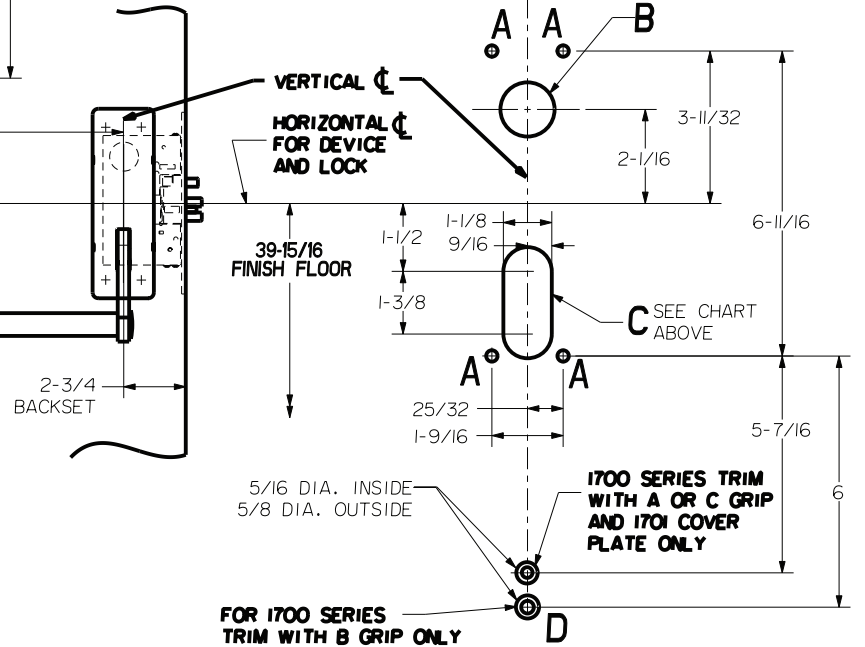
SEX NUTS AND BOLTS
 SEX BOLTS ARE REQUIRED FOR PLASTIC, WOOD, METAL COVERED COMPOSITE AND HOLLOW METAL DOORS WITHOUT REINFORCEMENT

SEX BOLT MACHINING
 DRILL 1/4 DIA. INSIDE
 DRILL 3/8 DIA. OUTSIDE



| HOLE A (4) PLS | DEVICES | TRIMS | HOLE B | HOLE C |
|-----------------------------------|------------|-----------------|--------------------|------------------|
| #10-24 TAP INSIDE ONLY | 301, FL301 | EXIT ONLY | NO | SLOT INSIDE ONLY |
| | 303, FL303 | CYL ONLY | 1-3/16 DIA OUTSIDE | |
| 1/4 DIA INSIDE 3/8 DIA OUTSIDE | 301, FL301 | 1701, 4901 | NO | SLOT THRU DOOR |
| | 302, FL302 | 1702, 4902 | | |
| | 303, FL303 | 1703, M4903 | | |
| | 305, FL305 | M1705 | | |
| | 308, FL308 | M4908 VM4908 | | |
| 1/4 DIA INSIDE 3/8 DIA OUTSIDE | 314, FL314 | M4914 | NO | SLOT THRU DOOR |
| | 315, FL315 | M1715 | | |

LOCK STILE MACHINING



NOTE:
 "LETTER" AT END OF TRIM MODEL NO. DESIGNATES LEVER OR GRIP STYLE. EXCEPT AS NOTED, LEVER OR GRIP STYLE HAS NO EFFECT ON STILE MACHINING.

S985, S984 OPTIONAL OPEN BACK STRIKES
 SEE TEMPLATE NUMBER HM-S985