

Rim Device 100 & FL100, R100, FLR100 Series x 1700, Y1700, 4900 & Y4900 Trim Hollow Metal Door

Trim Series: Exit Only, CYL Only, 1700, 4900
 Device Series: 100, FL100, R100, FLR100
 Strike: S300, S301, S458



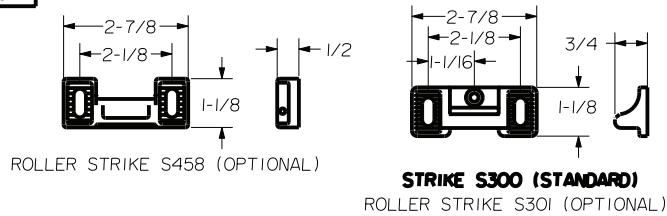
For online instructions, assistance or warranty information:
 Call 1-800-392-5209 or visit <https://dhwsupport.dormakaba.com/hc/en-us>

REINFORCEMENT REQUIREMENTS
 PROVIDE ADEQUATE REINFORCEMENT TO METAL COVERED COMPOSITE AND HOLLOW METAL DOORS FOR THE DRILLING AND TAPPING OF THE MACHINE SCREWS.

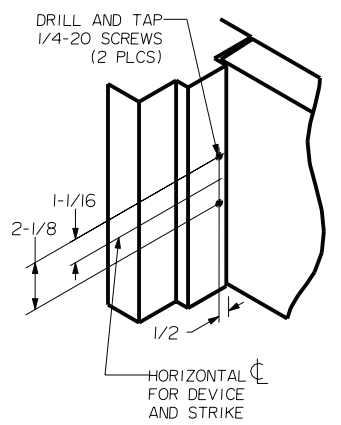
SEX NUTS AND BOLTS
 SEX BOLTS ARE REQUIRED FOR PLASTIC, WOOD, METAL COVERED COMPOSITE AND HOLLOW METAL DOORS WITHOUT REINFORCEMENT.

SEX BOLT MACHINING
 DRILL 1/4 DIA. INSIDE
 DRILL 3/8 DIA. OUTSIDE

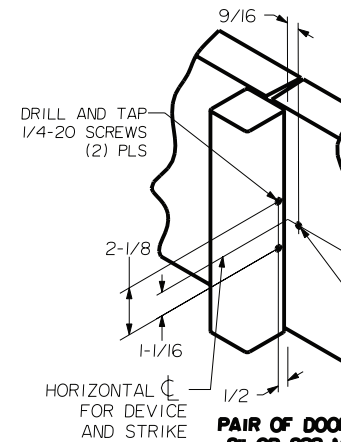
NOTE: "LETTER" AT END OF TRIM MODEL NO. DESIGNATES LEVER OR GRIP STYLE. EXCEPT AS NOTED, LEVER OR GRIP STYLE HAS NO EFFECT ON STILE MACHINING.



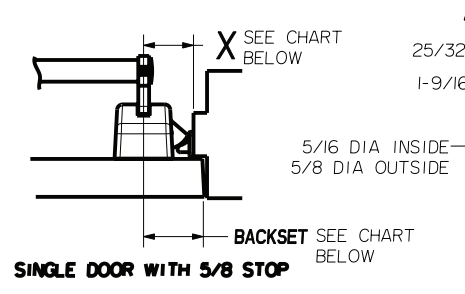
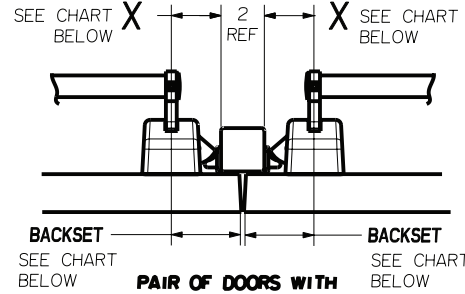
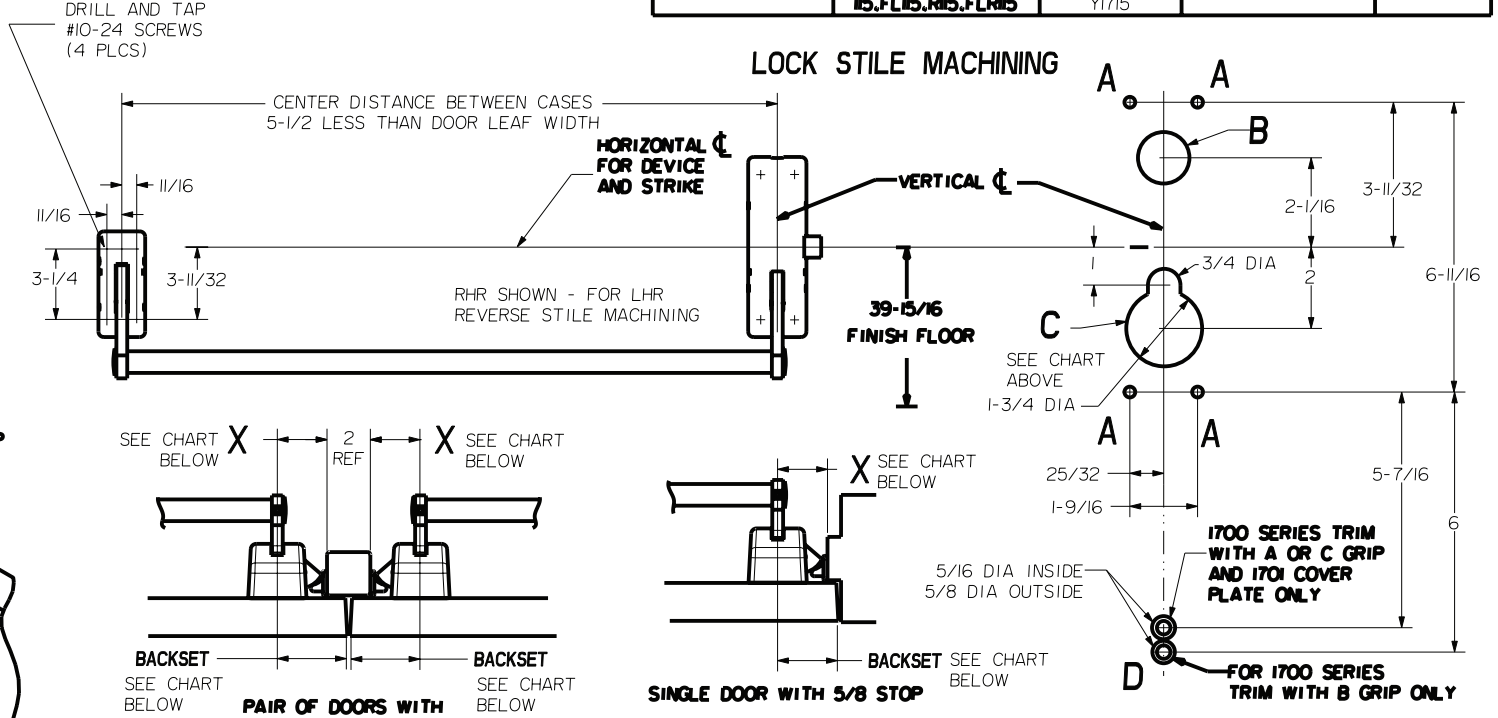
HOLE (4) PLS	A	DEVICES	TRIMS	HOLE B	HOLE C
#10-24 TAP INSIDE ONLY		101, FL101, R101, FLR101	EXIT ONLY	NO	NO
		103, FL103, R103, FLR103	CYL ONLY	1-3/8 DIA INSIDE 1-3/16 DIA OUTSIDE	
1/4 DIA INSIDE 3/8 DIA OUTSIDE		101, FL101, R101, FLR101	1701, 4901	1-3/8 DIA THRU DOOR	THRU DOOR
		102, FL102, R102, FLR102	1702, 4902		
		103, FL103, R103, FLR103	1703, 4903		
		105, FL105, R105, FLR105	Y1705		
		108, FL108, R108, FLR108	Y4908, YV4908		
	114, FL114, R114, FLR114	Y4914	NO		
	115, FL115, R115, FLR115	Y1715			



SINGLE DOOR WITH 5/8 STOP



PAIR OF DOORS WITH 811 OR 822 MULLION



STRIKE	APPLICATION	BACKSET	MIN. STILE	DIM X
S300 S301	SINGLE DOOR	2-3/4	4-1/4	2-1/4
	PAIR OF DOORS	3-1/8	4-5/8	
S458	SINGLE DOOR	2-9/16	4	2-1/16
	PAIR OF DOORS	2-15/16	4-3/8	