

**Surface Vertical Rod Device 200 & FL200 Series x 1700,  
Y1700, 4900 & Y4900 Trim Hollow Metal Door  
(LBR Requires Fire Bolt Template)**

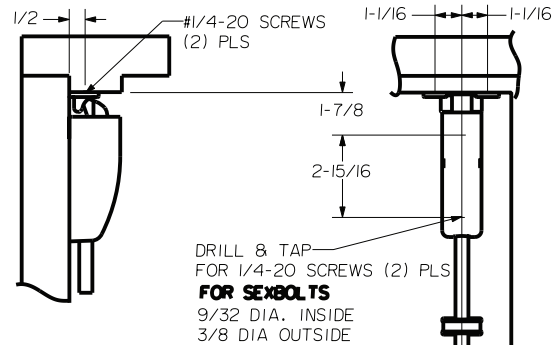
**Trim Series:** Exit Only, CYL Only, 1700, 4900  
**Device Series:** 200, FL200, 200LBR, FL200LBR  
**Strike:** S300, S301, S460

For online instructions, assistance or warranty information:  
Call 1-800-392-5209 or visit <https://dhwsupport.dormakaba.com/hc/en-us>

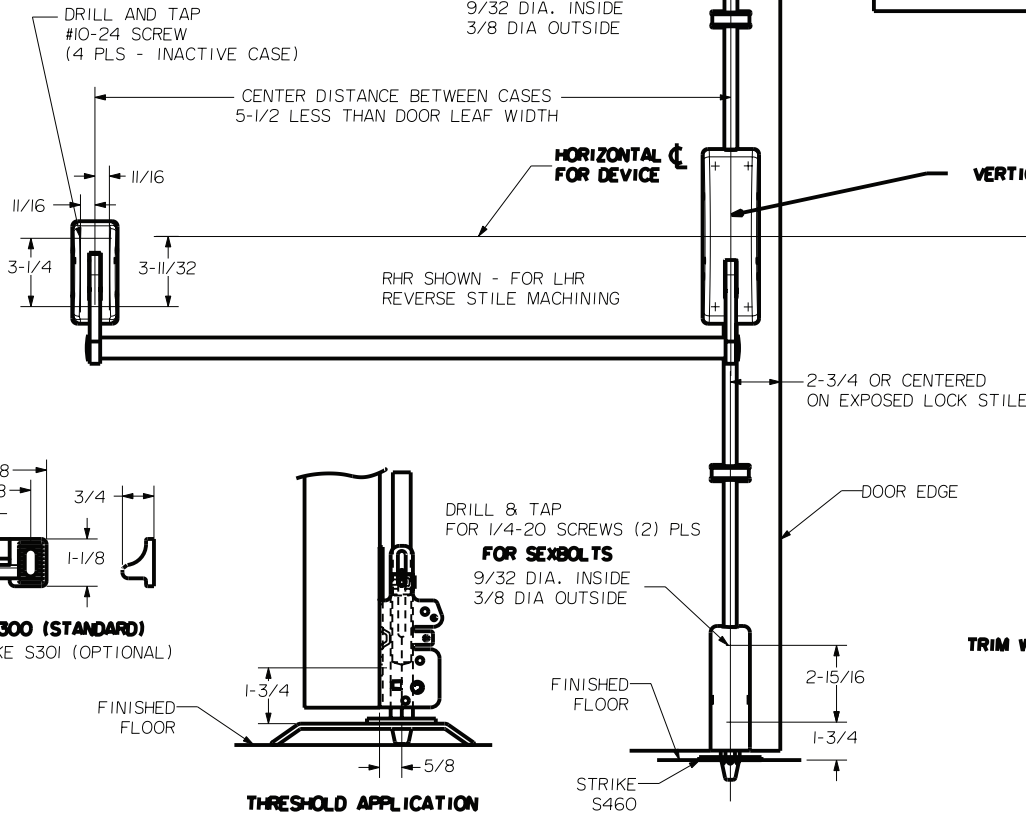
**REINFORCEMENT REQUIREMENTS**  
PROVIDE ADEQUATE REINFORCEMENT TO METAL COVERED COMPOSITE AND HOLLOW METAL DOORS FOR THE DRILLING AND TAPPING OF THE MACHINE SCREWS.

**SEX NUTS AND BOLTS**  
SEX BOLTS ARE REQUIRED FOR PLASTIC, WOOD, METAL COVERED COMPOSITE AND HOLLOW METAL DOORS WITHOUT REINFORCEMENT

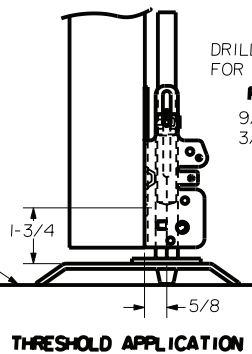
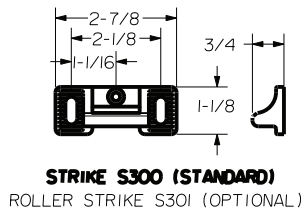
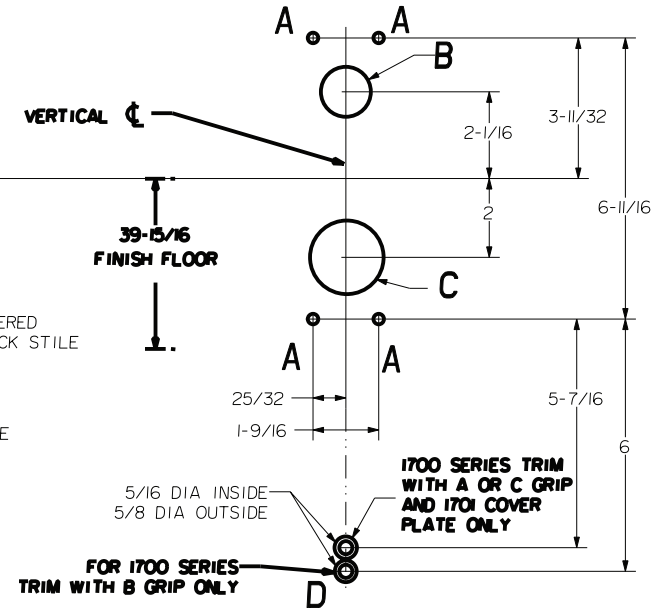
**SEX BOLT MACHINING**  
HOLE "A" (4) PLS AND INACTIVE CASE  
DRILL 1/4 DIA. INSIDE  
DRILL 3/8 DIA. OUTSIDE



HOLE (4) PLS A	DEVICES	TRIMS	HOLE B	HOLE C
#10-24 TAP INSIDE ONLY	201.FL201	EXIT ONLY	NO	NO
	203.FL203	CYL ONLY	1-3/8 DIA INSIDE 1-3/16 DIA OUTSIDE	
1/4 DIA INSIDE 3/8 DIA OUTSIDE	201.FL201	1701,4901	NO	1-3/4 DIA THRU DOOR
	202.FL202	1702,4902		
	203.FL203	1703,4903		
	205.FL205	Y1705		
	208.FL208	4908,VY4908		
	214.FL214	Y4914	NO	1-3/4 DIA THRU DOOR
	215.FL215	Y1715	NO	



**LOCK STILE MACHINING**



DRILL & TAP FOR 1/4-20 SCREWS (2) PLS FOR SEXBOLTS  
9/32 DIA. INSIDE  
3/8 DIA OUTSIDE

**LBR DEVICES:**  
OMIT BOTTOM BOLT MACHINING.  
FIRE BOLT REQ'D FOR FL DEVICES  
SEE DRAWING 01297-II-000 FOR DETAILS

NOTE: "LETTER" AT END OF TRIM MODEL NO. DESIGNATES LEVER OR GRIP STYLE, EXCEPT AS NOTED, LEVER OR GRIP STYLE HAS NO EFFECT ON STILE MACHINING.