

# Rim Device 100 & FL100 Series x 2000 & Y2000 Trim Hollow Metal Door

Trim Series: 2000  
Device Series: 100, FL100, R100, FLR100  
Strike: S300, S301, S458



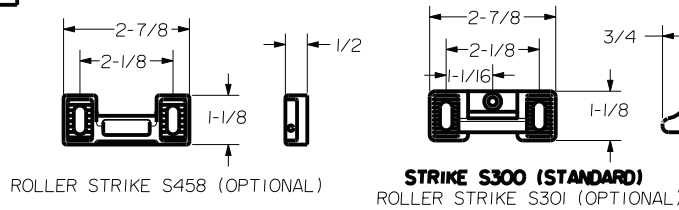
For online instructions, assistance or warranty information:  
Call 1-800-392-5209 or visit <https://dhwsupport.dormakaba.com/hc/en-us>

**REINFORCEMENT REQUIREMENTS**  
PROVIDE ADEQUATE REINFORCEMENT TO METAL COVERED COMPOSITE AND HOLLOW METAL DOORS FOR THE DRILLING AND TAPPING OF THE MACHINE SCREWS.

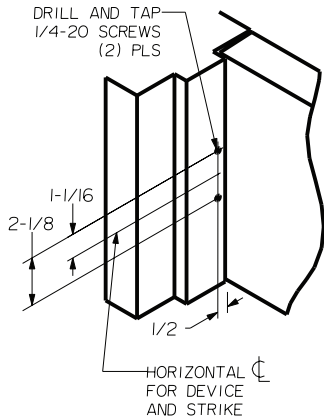
**SEX NUTS AND BOLTS**  
SEX BOLTS ARE REQUIRED FOR PLASTIC, WOOD, METAL COVERED COMPOSITE AND HOLLOW METAL DOORS WITHOUT REINFORCEMENT

**SEX BOLT MACHINING**  
DRILL 1/4 DIA. INSIDE  
DRILL 3/8 DIA. OUTSIDE

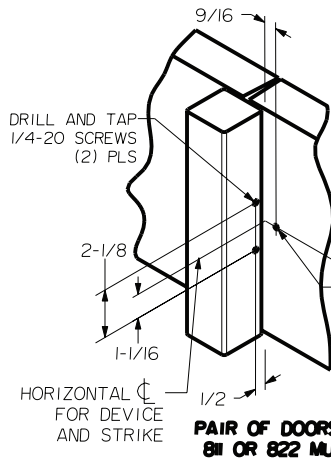
NOTE: "LETTER" AT END OF TRIM MODEL NO. DESIGNATES GRIP STYLE. EXCEPT AS NOTED, GRIP STYLE HAS NO EFFECT ON STILE MACHINING.



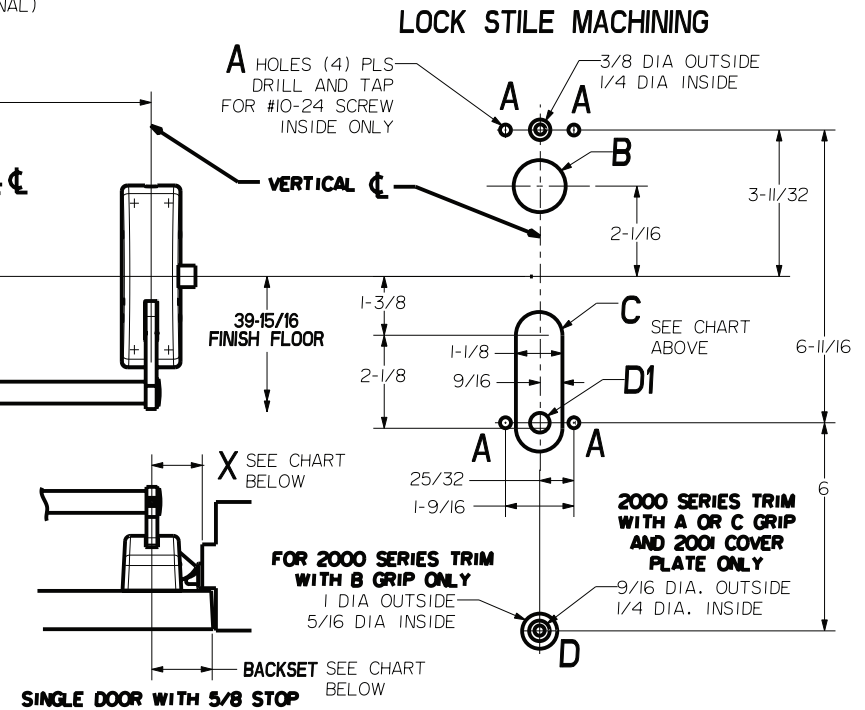
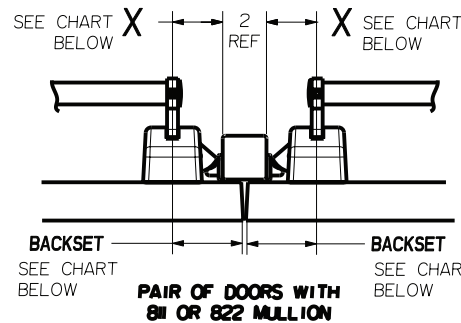
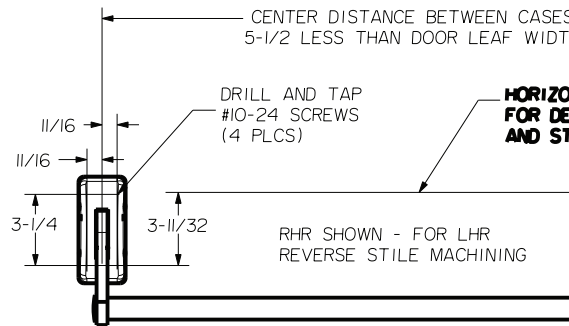
DEVICES	TRIMS	HOLE B 1-3/8 DIA. THRU DOOR	SLOT C THRU DOOR	D1
I01.FL101.R101.FLR101	2001	NO	NO	3/8 DIA OUTSIDE 1/4 DIA INSIDE
I02.FL102.R102.FLR102	2002	NO	NO	3/8 DIA OUTSIDE 1/4 DIA INSIDE
I03.FL103.R103.FLR103	2003	YES	NO	3/8 DIA OUTSIDE 1/4 DIA INSIDE
I05.FL105.R105.FLR105	Y2005	YES	YES	NO
I15.FL115.R115.FLR115	Y2015	NO	NO	NO



**SINGLE DOOR WITH 5/8 STOP**



**PAIR OF DOORS WITH 811 OR 822 MULLION**



STRIKE	APPLICATION	BACKSET	MIN. STILE	DIM X
S300 S301	SINGLE DOOR	2-3/4	4-1/4	2-1/4
	PAIR OF DOORS	3-1/8	4-5/8	
S458	SINGLE DOOR	2-9/16	4	2-1/16
	PAIR OF DOORS	2-15/16	4-3/8	