

# Template, Rim Device 100 & R100 Series x 1700, Y1700, 4900 & Y4900 Trim Aluminum Door

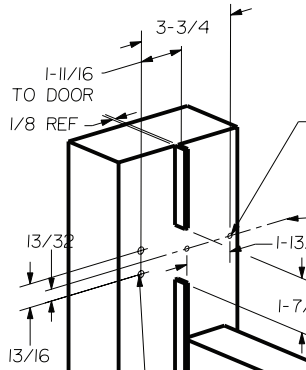
Trim Series: Exit Only, CYL Only, 1700, 4900  
 Device Series: 100, R100  
 Strike: S988



For online instructions, assistance or warranty information:  
 Call 1-800-392-5209 or visit <https://dhwsupport.dormakaba.com/hc/en-us>

HOLE (4) PLS <b>A</b>	DEVICES	TRIMS	HOLE <b>B</b>	HOLE <b>C</b> THRU DOOR
#10-24 TAP INSIDE ONLY	<b>101,R101</b>	EXIT ONLY	NO	NO
	<b>103,R103</b>	CYL ONLY	1-3/8 DIA INSIDE 1-3/16 DIA OUTSIDE	
1/4 DIA INSIDE 3/8 DIA OUTSIDE	<b>101,R101</b>	1701,4901	NO	THRU DOOR
	<b>102,R102</b>	1702,4902		
	<b>103,R103</b>	1703,4903		
	<b>105,R105</b>	Y1705		
	<b>108,R108</b>	Y4908,YV4908		
	<b>114,R114</b>	Y4914	NO	
	<b>115,R115</b>	Y1715		

### SEX BOLT MACHINING

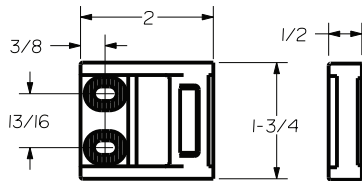


NOTE:  
 "LETTER" AT END OF TRIM MODEL NO. DESIGNATES LEVER OR GRIP STYLE. EXCEPT AS NOTED, LEVER OR GRIP STYLE HAS NO EFFECT ON STILE MACHINING.

DRILL AND TAP FOR #6-32 SCREWS FOR RUB STRIP (WHEN USED) (2 PLS)

HORIZONTAL  $\text{C}$  FOR DEVICE AND STRIKE

DRILL AND TAP #10-24 SCREWS (2) PLS



ROLLER STRIKE S988 (STANDARD)

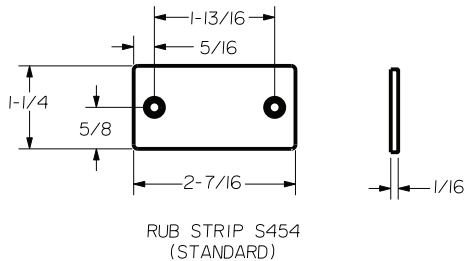
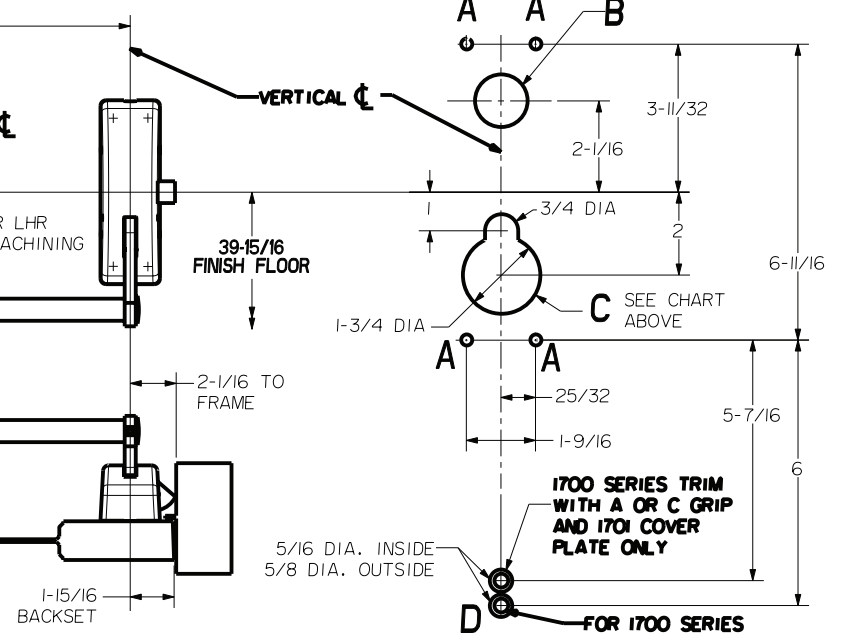
CENTER DISTANCE BETWEEN CASES 4" LESS THAN DOOR LEAF WIDTH  
 \* 5-1/2 LESS THAN DOOR LEAF WIDTH WITH LARGER STILES

HORIZONTAL  $\text{C}$  FOR DEVICE AND STRIKE

RHR SHOWN - FOR LHR REVERSE STILE MACHINING

DRILL AND TAP #10-24 SCREWS (4) PLS

### LOCK STILE MACHINING



RUB STRIP S454 (STANDARD)

ALUMINUM DOOR AND FRAME WITH BLADE OR APPLIED STOP		
MIN. STILES	DEVICE SIZE	DOOR WIDTH
3-1/2"	3'-0"	2'-6" TO 2'-10"
	4'-0"	3'-0" TO 3'-10"
4-3/4" OR FLUSH DOOR	3'-0"	2'-7" TO 3'-0"
	4'-0"	3'-1" TO 4'-0"