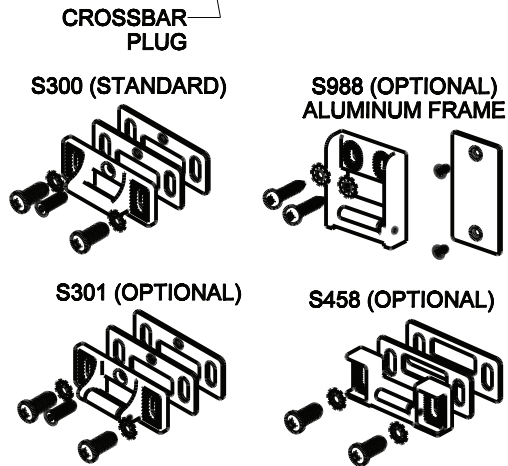
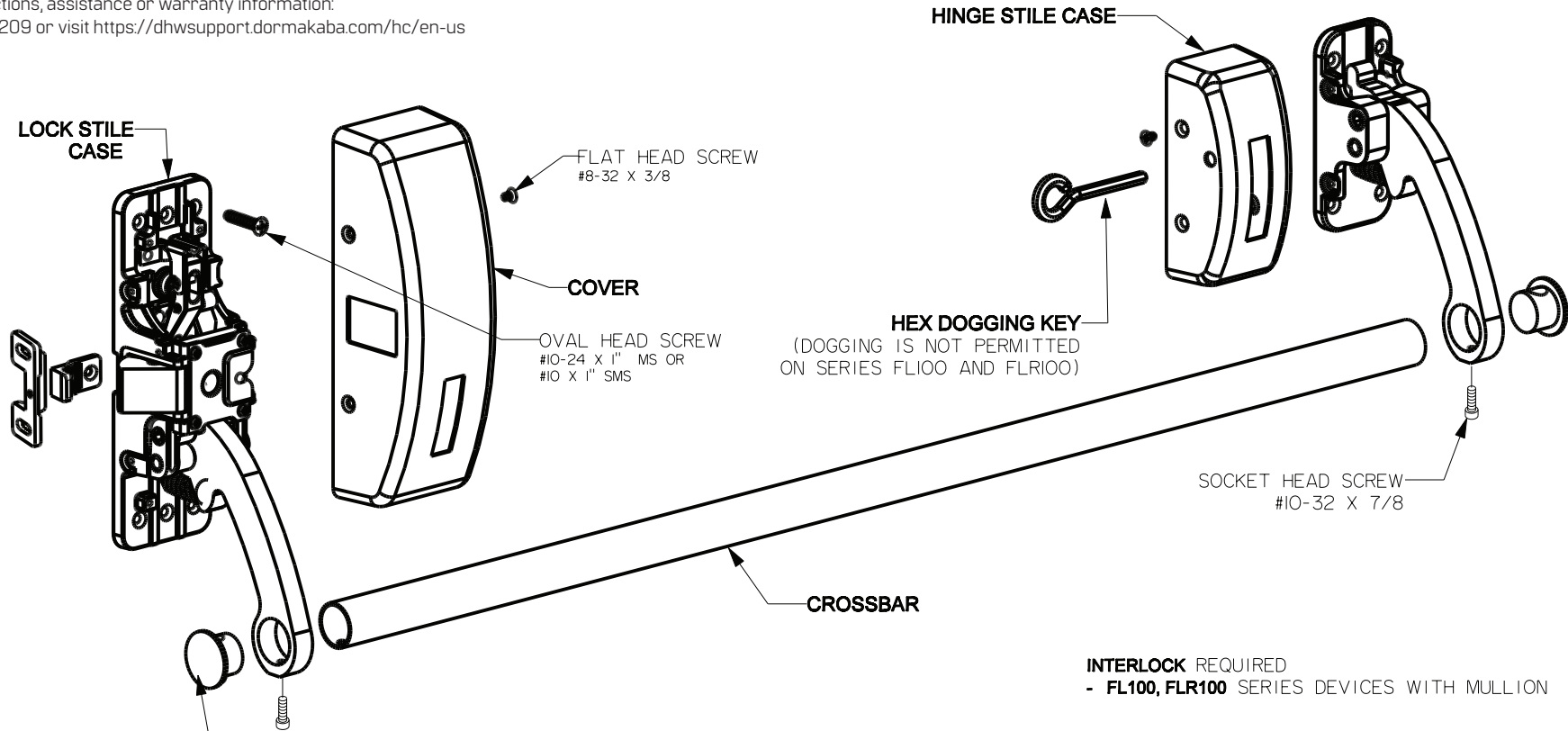
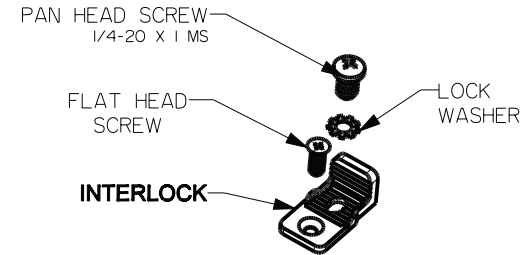


Installation Instructions Rim Exit Device Series 100 & FL100 - Handed Series R100 & FLR100 - Reversible

For online instructions, assistance or warranty information:
Call 1-800-392-5209 or visit <https://dhwsupport.dormakaba.com/hc/en-us>



INTERLOCK REQUIRED
- FL100, FLR100 SERIES DEVICES WITH MULLION



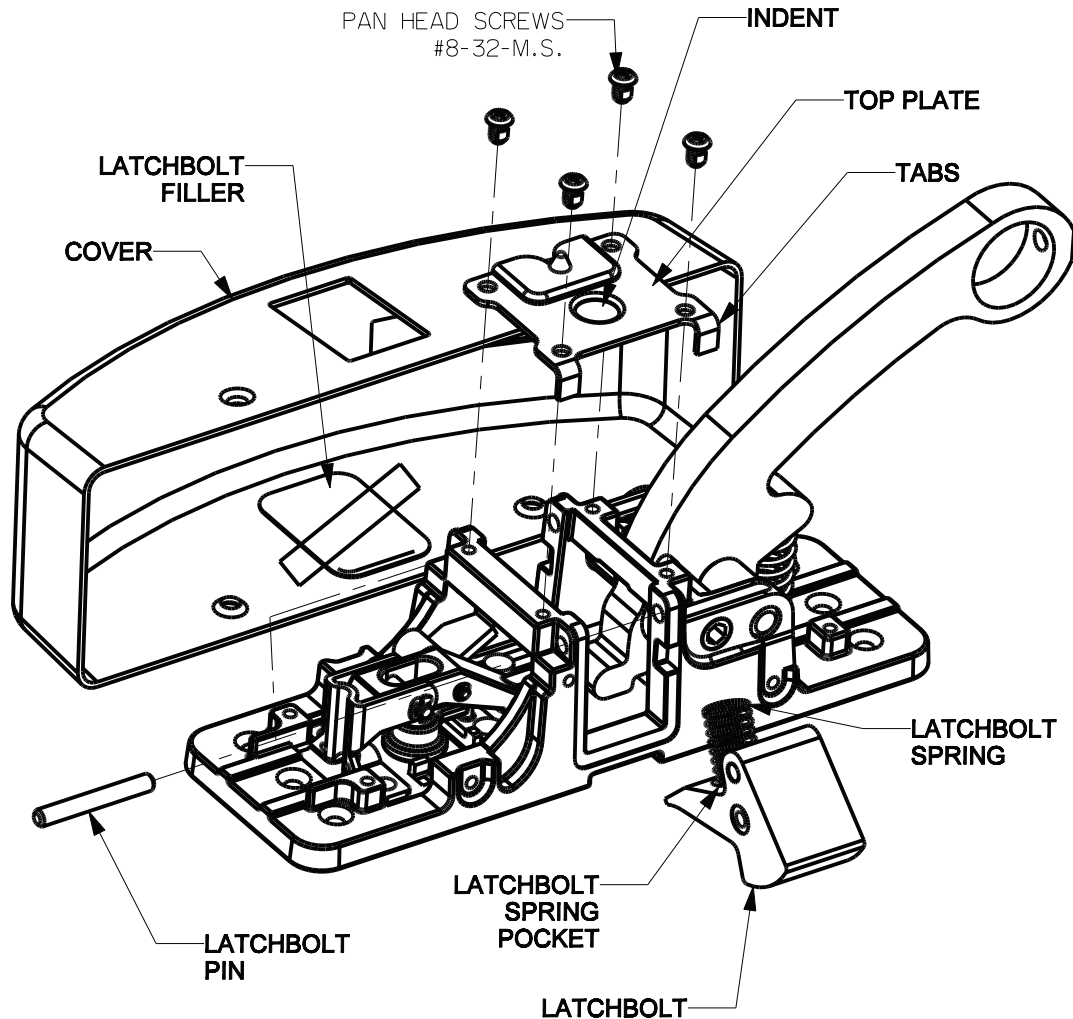
STRIKES AND SCREWS	S300 OR S301	S458	S988
1/4-20 X 3/4 MS	2	2	0
#14 X 1" SMS	2	2	0
#10-24 X 3/4" MS	1	0	0
#10 X 1" SMS	1	0	2
#10-24 X 1/2" MS	0	0	2
LOCK WASHER	2	2	2
#6-32 X 1/4" MS	0	0	2
RUB STRIP	0	0	1

FIRE EXIT DEVICES SERIES FL100, FLR100

Sex bolts or through bolts are required for composite (Wood, Plastic and Steel covered), wood core, sheet metal and hollow metal doors without reinforcement unless door manufacturer has an alternate mounting method. Fire doors with steel reinforcement, mount devices with machine screws

INSTRUCTIONS TO CHANGE HAND

R100 & FLR100 RIM EXIT DEVICE



1. Undog the Lock Stile Case (when applicable) and remove COVER.
2. Unscrew 4 PAN HEAD SCREWS. Remove TOP PLATE and LATCHBOLT SPRING.
3. Slide LATCHBOLT PIVOT PIN out and remove the LATCHBOLT. Switch LATCHBOLT to the opposite side and secure it with the LATCHBOLT PIN.
4. Place LATCHBOLT SPRING in LATCHBOLT POCKET. Rotate the TOP PLATE 180° so that the TABS hold the LATCHBOLT PIN from slipping out. Tighten down top plate with the 4 SCREWS, be sure the LATCHBOLT SPRING seats on the TOP PLATE INDENT.
5. Remove the LATCHBOLT FILLER from the COVER and tape it to the opposite side.

1 DOOR PREPARATION

1. Circle the following.

STRIKE NUMBER, Dimension "X", and BACKSET in the chart below.
TRIM NUMBER. (if specified) at various locations on the trim template.

2. Close door. Mark **HORIZONTAL CENTERLINE** on inside face of door and on lock side **DOOR STOP** 39-15/16" from finish floor as shown, or as specified for specific installation. (Continue horizontal centerline to outside face of door if trim is specified)

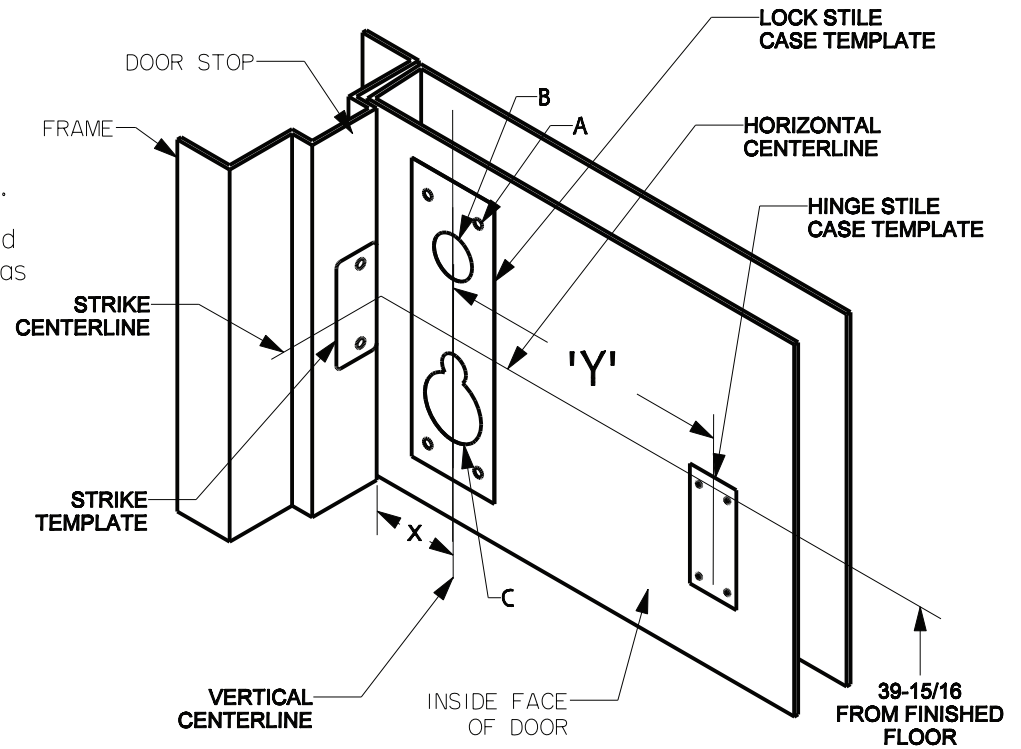
3. Mark **VERTICAL CENTERLINE** at lock side using dimension "X".
(If trim is specified mark vertical centerline on the outside face of door using backset dimension)

CAUTION: Vertical centerlines on both sides of the door should be the same dimension from the edge of the door.

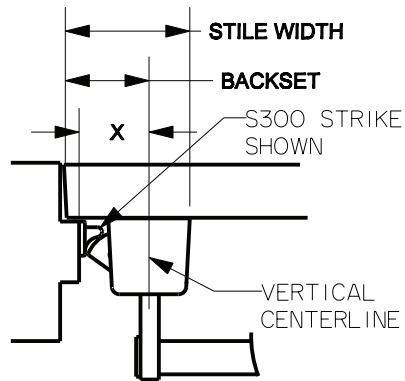
4. Mark vertical centerline on hinge side using dimension 'Y' for door opening. To determine dimension 'Y' see **(STEP 2)**

5. Tape Lock Stile Case and Hinge Stile Case Template (and Trim Template if Trim specified) to the door so that the centerlines on the Template line up with centerlines on the door. Mark centers and drill the required holes as indicated on the templates.

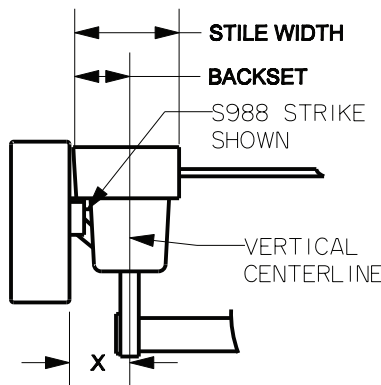
6. Fold Strike Template and place on door stop or mullion and inside face of door, so the horizontal centerline on template lines up with the horizontal centerline on door stop and door. Tape template on the door stop or mullion and the door face. Mark centers and drill holes as indicated on the template.



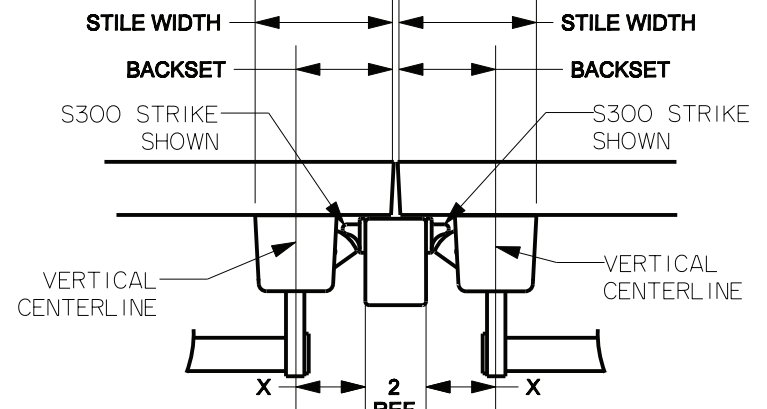
STRIKE No.	SINGLE DOOR			PAIR OF DOORS WITH MULLION	
	S300 S301	S458	S988 ALUMINUM	S300 S301	S458
DIMENSION X	2-1/4	2-1/16	2-1/16	2-1/4	2-1/16
BACKSET	2-3/4	2-9/16	1-15/16	3-1/8	2-15/16
STILE WIDTH	4-1/4 MIN	4 MIN	3-1/2 MIN	4-5/8 MIN	4-3/8 MIN



SINGLE HOLLOW METAL DOOR

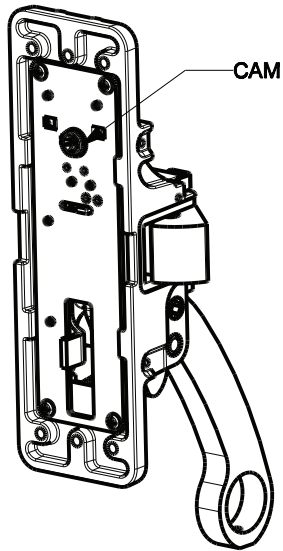


SINGLE ALUMINUM DOOR AND FRAME



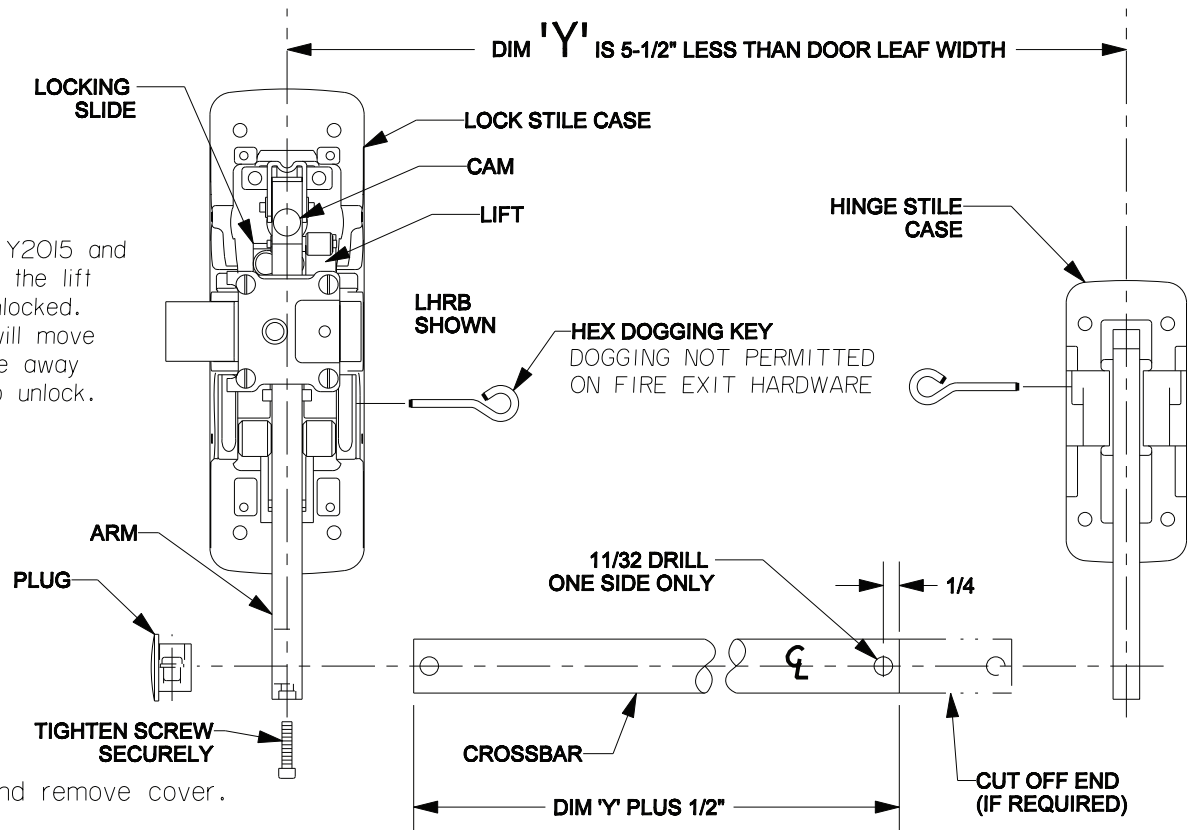
PAIR OF DOORS WITH MULLION

2 APPLY DEVICE



CAUTION:

For Y1715, Y2015 and Y4914 trim the lift must be unlocked. The cam will move locking slide away from lift to unlock.



NOTE: If Trim is specified: See the Trim installation instructions packaged with the trim.

- Lock Stile case Mounting - Undog (when applicable) and remove cover.
 - DEVICE WITH TRIM** - See Trim instructions
 - CYLINDER ONLY** - Install cylinder with cylinder back plate as shown. Make sure the tailpiece is extending 1/2" to 5/8" from the inside face of door. Insert tailpiece into **CAM** in the lock stile case and mount it to the door with 4 screws.
 - EXIT ONLY** - Mount Lock Stile Case to the door with 4 screws.
- Hinge stile case - Undog (when applicable), remove cover and mount it with 4 screws
- Fasten strike to frame and adjust strike so that the device latches tightly without binding. Strike shims are provided if excessive gap is apparent between latch and strike lip.
 - For S300 and S301 strikes apply third center screw once adjustment is complete
 - For S988 strike apply rub strip to the aluminum frame as shown on instructions packaged with strike.
 - For FL with mullion, install Interlock by slipping it into slot under latchbolt and chassis. Secure with screws and lockwasher.
- Attach covers to lock stile case and hinge stile case.
- Check **CROSSBAR** length per illustration. Cut **CROSSBAR** if required and install per illustration. Tighten screws.

