

# A103-002 and A103-004 Alarm Accessory Kits Assembly Instructions

For online instructions, assistance or warranty information:  
Call 1-800-392-5209 or visit <https://dhwsupport.dormakaba.com/hc/en-us>

## ARM-A-DOR™

Alarm Accessory Kits A103-002 and A103-004 provide a remote switch for connecting existing alarm systems, magnetic contacts, and so on, to the ARM-A-DOR. The kits can be used with either non-alarmed Assemblies A101-001 and A102-001 or alarmed Assemblies A101-002 and A102-002. Accessory Kits A103-002 and A103-004 are identical; A103-002 is packed individually and A103-004 is packed ten to a box. Each kit contains the items listed in the table at right. Refer to Figure 1 or 2 to locate each item.

Item	Description	Qty
1	Switch	1
2	Switch bracket	1
3	Screws - #2-56 x .38 lg	2
4	Screws - #6-32 x .25 lg	2
5	Cable tie	1
6	Switch actuator	1
7	Flat washer - #2	2

### Assembly Steps

**Note: On alarmed models, disarm the alarm prior to beginning step 1 of installation.**

1. To attach the switch (Item 1) and switch bracket (Item 2) or switch actuator (Item 6) to the unit, you must remove the aluminum push bar to access the alarm pad base. Do this by removing the 4 screws and the black end cap at the end of the unit closest to the hinged side of the door, and sliding off the aluminum push bar.
2. For alarmed units, remove the end cap and disconnect the batteries, then remove the screw that secures the cylinder retainer and cylinder cover. Remove both parts, then unscrew the mortise cylinder and slide off the aluminum push bar.

**Note: Check the date of manufacture on the white label inside the push bar. If the unit was manufactured after April 21, 1997, skip to Step 9.**

3. On non-alarmed units, attach the switch (Item 1) to the switch bracket (Item 2) using the two #2-56 x .38" thread-forming screws (Item 3) as shown in Figure 1.
4. To attach the remote switch to an alarmed unit (A101-002 or A102-002), drill two (2) mounting holes in the alarm pad base (Step 5). For non-alarmed units (A101-001 and A102-001), skip to Step 7.
5. Cut out and fold the drill template (see Figure 3) to locate the positions for two mounting holes in the pad base. Tape the template to the opposite flange which the existing alarm switch and bracket are mounted to. With the template in place, mark the holes using a center punch.
6. Remove the template and drill two (2) 0.125 diameter holes through the flange.
7. Attach the switch/bracket assembly to the alarm pad base using the two #6-32 x .25" thread-forming screws (Item 4), observing the position of the switch in Figure 1. The roller on the switch arm should contact the link arm and depress the switch sufficiently to close it when the push bar is in the full OUT position.

(Assembly Steps, continued)

8. Tighten the screws after properly adjusting the switch bracket. Skip to Step 12.
9. Attach the new switch (Item 1) to the alarm pad base by placing two flat washers (Item 7) between the pad base and the switch, and secure with the two #2-56 x .38 thread-forming screws (Item 3) in the location shown in Figure 2.

**Note:** Figure 2 shows an alarmed unit and is oriented with the key cylinder toward the right side of the unit. If key cylinder is to the left, the figure will be upside down.

10. Loosen and remove 1/4" hardware where alarm subassembly attaches to link arms per Figure 2.
11. Install new switch actuator (Item 6) over link arm and reinstall the 1/4" mounting hardware and tighten, making sure the lock washer is fully depressed.

**Important** ⇒

**Make sure the actuator arm properly contacts the microswitch arm.** The roller on the switch arm should contact the link arm and depress the switch sufficiently to close it when the push bar is in the full OUT position.

12. Connect the external wiring to **C** and **NO** terminals on the switch as shown in Figure 1 or 2. This creates an open contact when the push bar is depressed. Tie wires together with the cable tie (Item 5) approximately two inches (2") from the switch. Then route wiring along the link arm and outer tube assembly toward the hinged side of the door and to the auxiliary device.
13. Slide the alarm push bar back over the alarm subassembly. **CAUTION: Take care when sliding the push bar past the switch, wires and the actuator arm.**
14. Reassemble the cylinder retainer and the mortise cylinder, which you previously removed.
15. Reassemble the cylinder cover over the cylinder retainer and secure them to the cylinder switch bracket using the original screw.
16. Reconnect the two halves of the plastic connector together or reconnect the batteries to the battery snaps making sure the alarm beeps four times. Refasten the end cap to the push bar with the original screw, making sure the connector is properly positioned and all wires are routed correctly and clear of any screw holes or pinch points.
17. Arm the alarm, making sure you hear 4 beeps, and wait 20 seconds for the LED to start blinking red. Open the door and make sure the alarm sounds. Turn the alarm off and rearm it after the door is closed.

⇐ **Important**

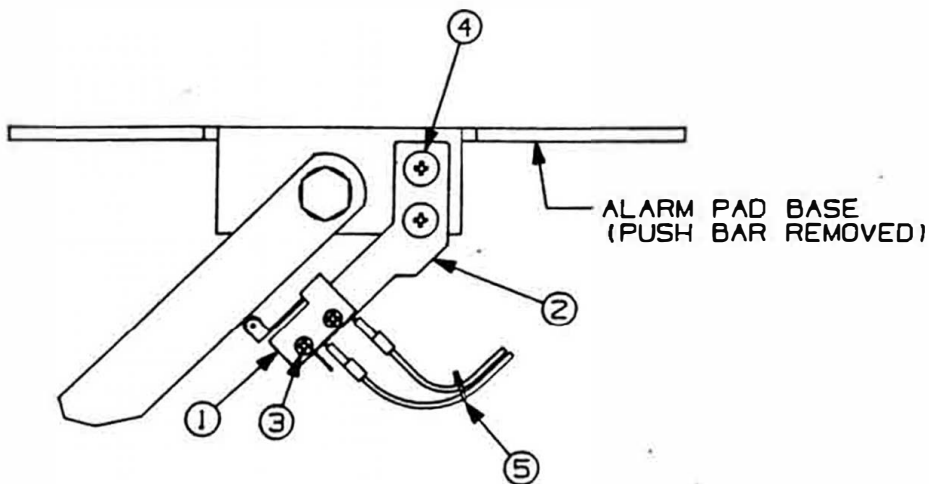


Figure 1: Alarm Accessory Kit Assembly (units manufactured before 4/21/1997)

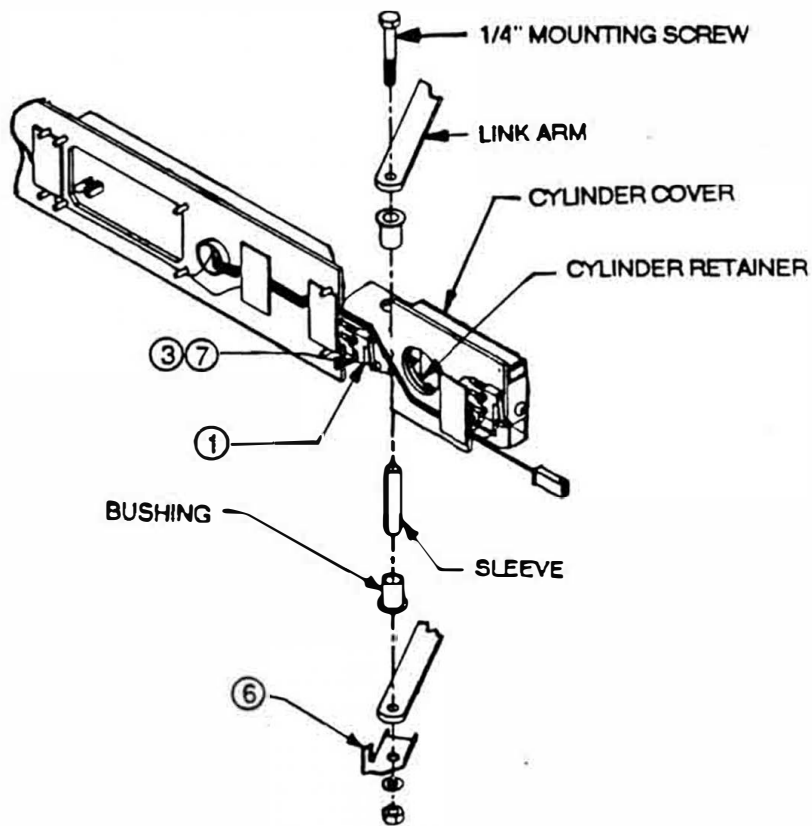


Figure 2: Alarm Accessory Kit Assembly (units manufactured after 4/21/1997)

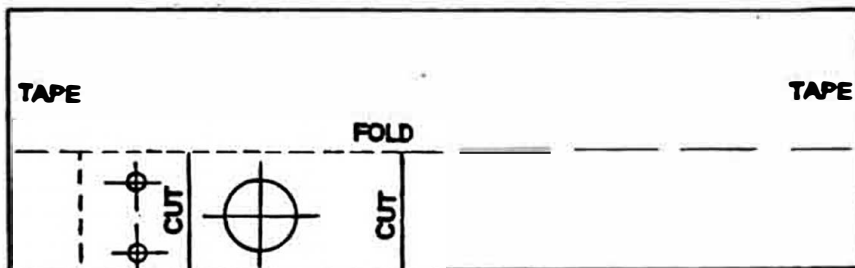


Figure 3: Drill Template (for alarmed units manufactured before 4/21/97)

**Corporate Headquarters**  
dormakaba USA Inc.  
6161 East 75th Street  
Indianapolis, IN 46250