

Arm-A-Dor Installation at a Glance

For online instructions, assistance or warranty information:
Call 1-800-392-5209 or visit <https://dhwsupport.dormakaba.com/hc/en-us>

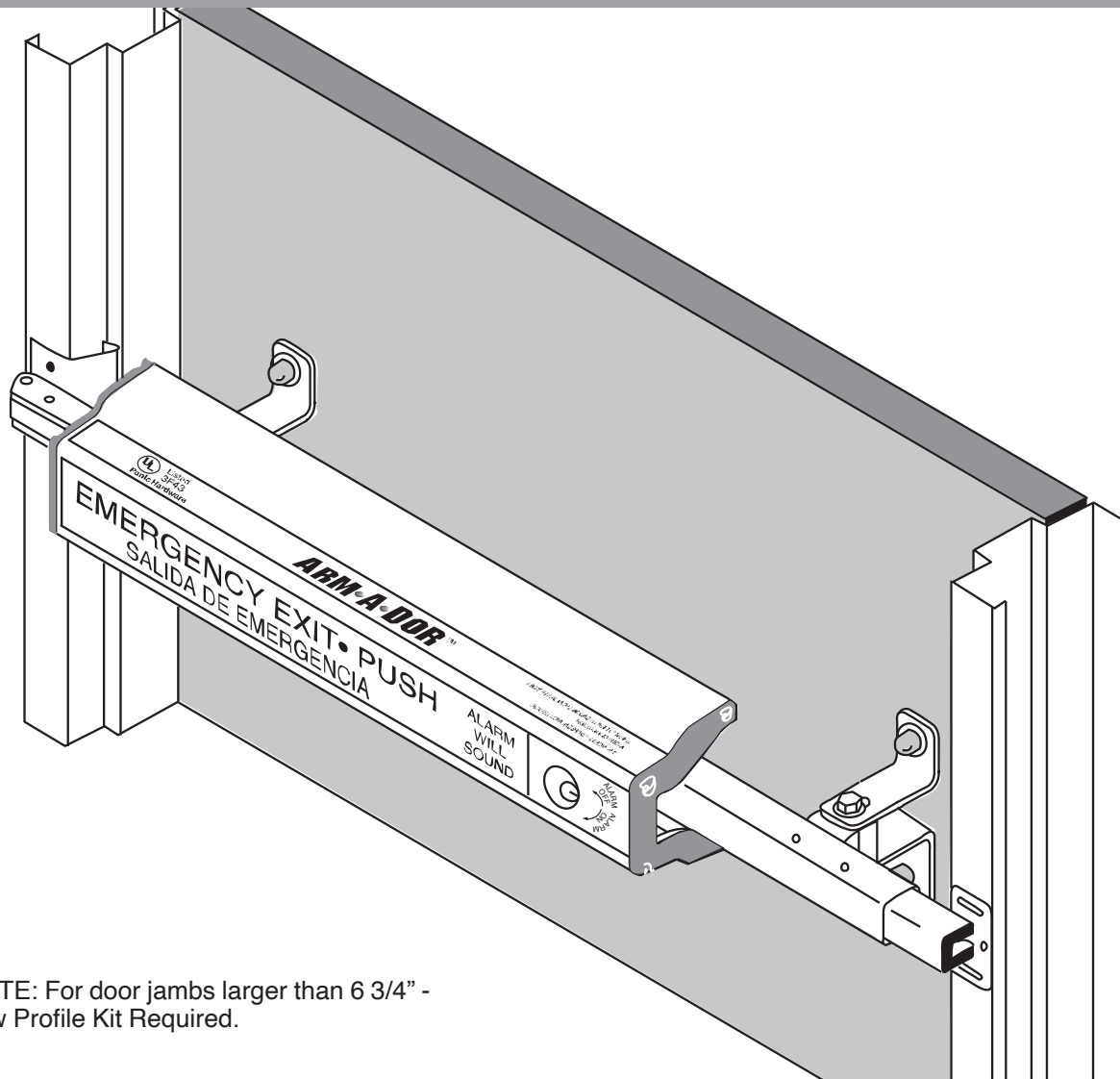
ARM•A•DOR™

INSTALLATION AT A GLANCE

Refer to Installation Guide Booklet before attempting to install.

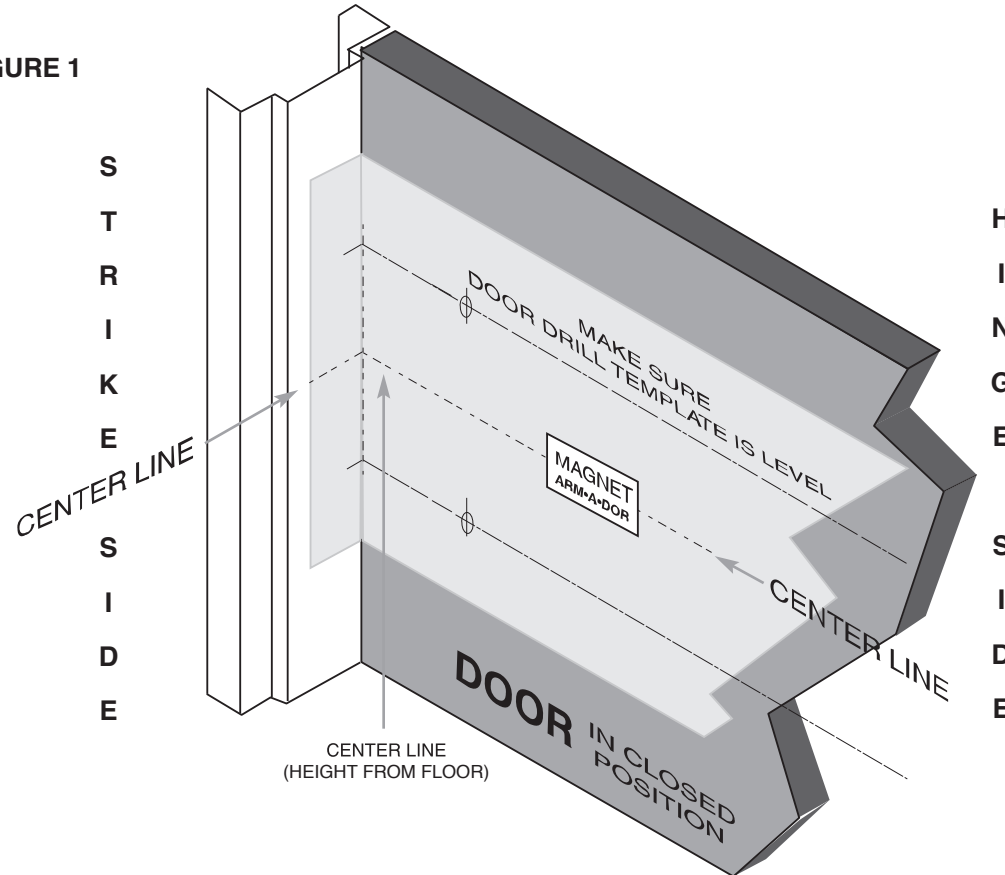
NOTICE:
Improper installation voids Warranty.

Arm•A•Dor after correct installation



Mark And Drill Door Mounting Holes From Template

FIGURE 1



Center line between 30" to 44" from floor, mark and drill bolt holes with 1/4" drill bit. Enlarge holes inside skin of door using 3/8" drill and outside of door using 5/8" drill. HOLD TEMPLATE BY USING TWO MAGNETS PROVIDED.

2

Mount Door Brackets

FIGURE 2A

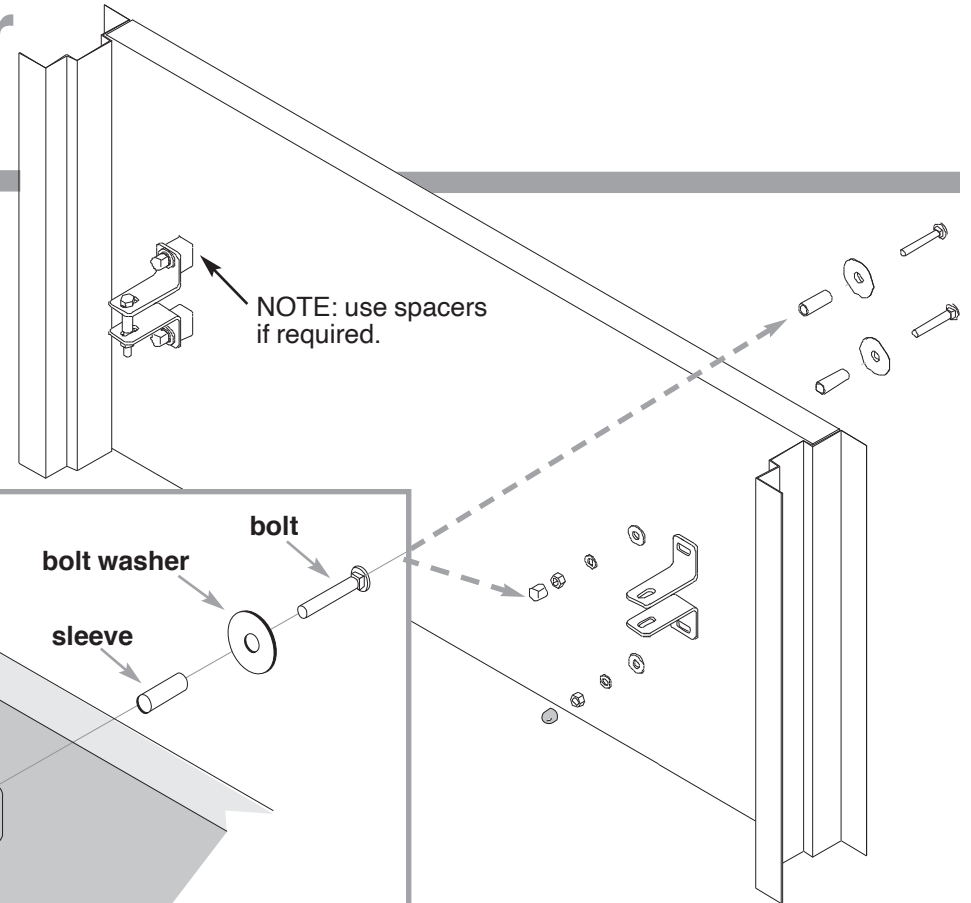
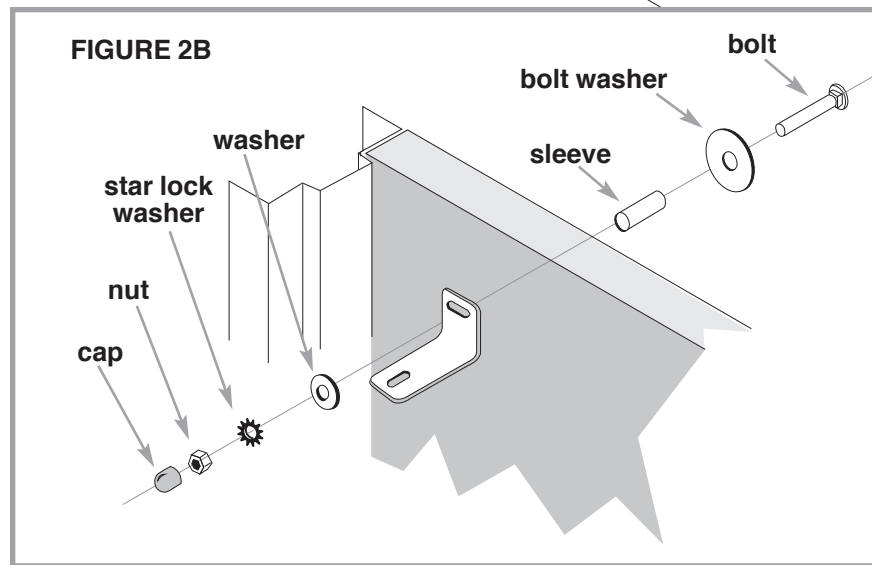


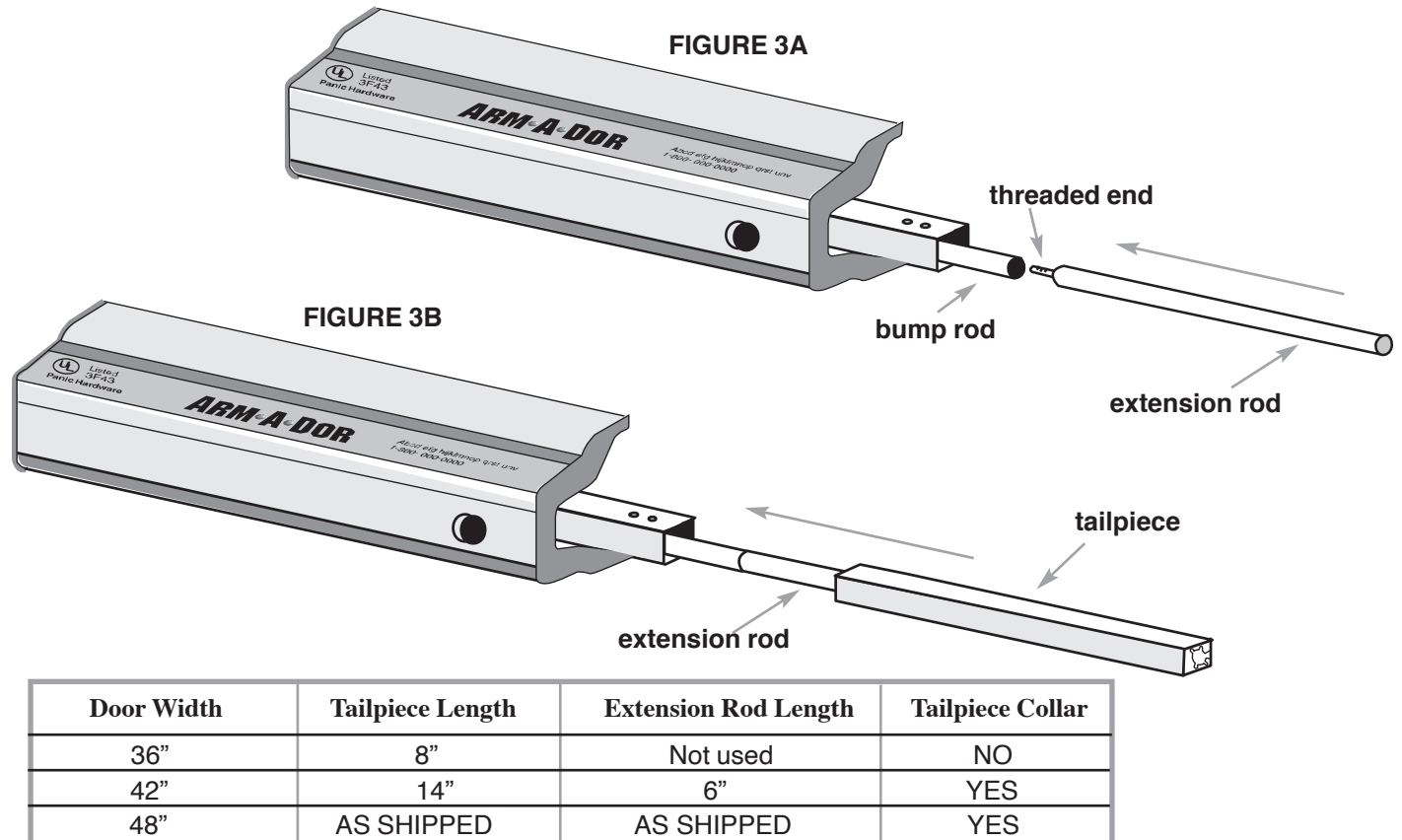
FIGURE 2B



Install each carriage bolt through a bolt washer into a support tube, install through the drilled holes. Assemble carriage bolts, secure with flat washer, star lock washer and hex nut.
Note: (Use spacers only if required.)

3

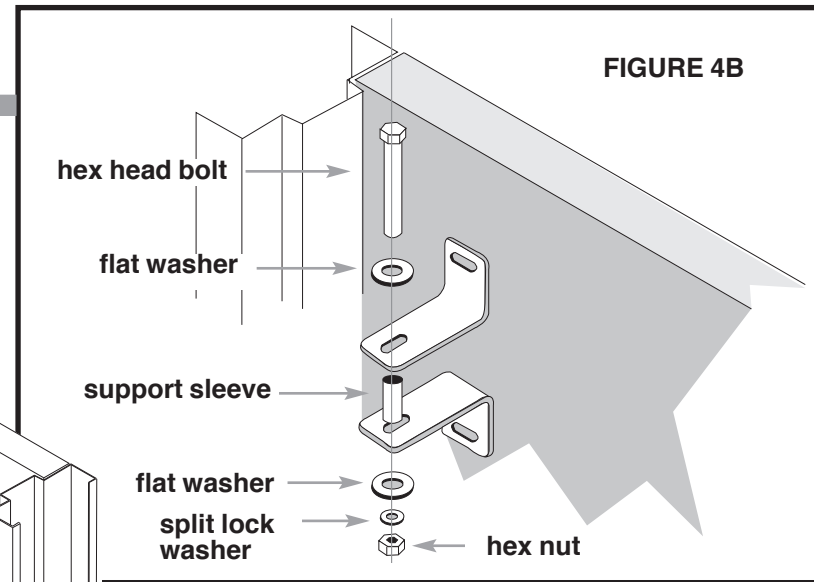
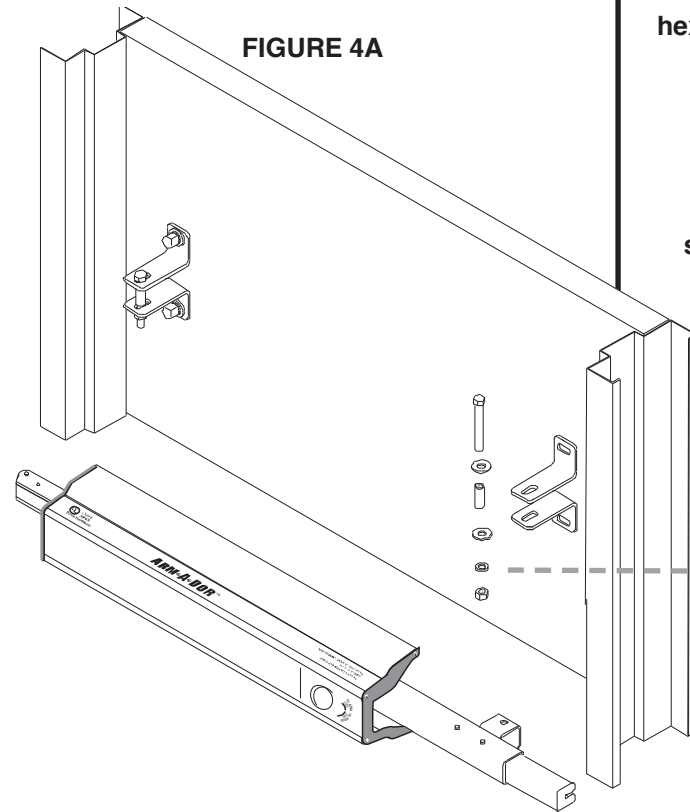
Cut Off And Attach Extension Rod And Tailpiece



Tailpiece- measure and mark tailpiece to correct length using hacksaw to cut to correct length, deburr the cut end.
 Extension Rod- At threaded end, measure and mark for correct length, deburr the cut end.

4

Mount Lock Assembly



Note: Collar used Only on doors widths 40" or greater.

Place support sleeve(s) inside the welded square bracket(s), insert a hex head bolt through a flat washer into door bracket and welded square bracket of assembly lock. Place flat washer, split lock washer and hex nut onto hex head bolt. Hand tighten leaving hardware loose enough to adjust lock position in the two bracket locations.

5

Install Cylinder And Batteries

(alarmed unit only)

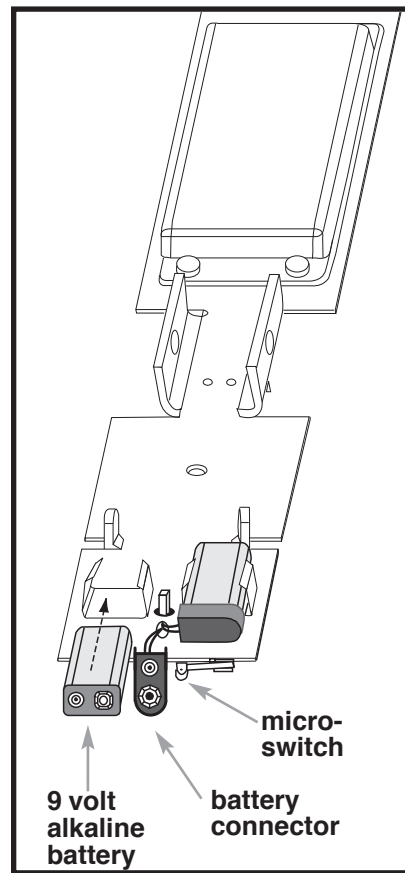


FIGURE 5B

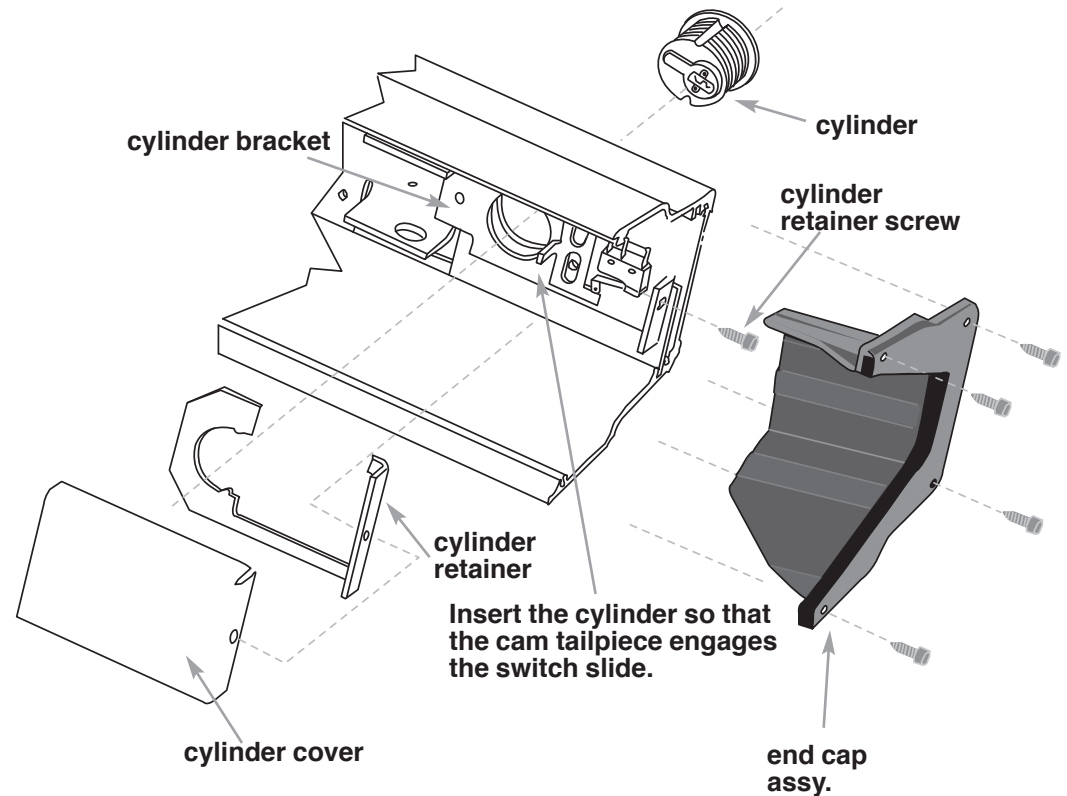


FIGURE 5A

Remove the four end cap screws and end cap. Remove the cylinder retainer screw, cylinder cover and retainer. Insert emergency label and cylinder label (if required). Screw in the 1 1/8" mortise cylinder positioning the keyway towards the hinged side of door. Reassemble the cylinder retainer, cover and screw, secure end cap into push pad with four screws. To install two 9Volt alkaline batteries, remove the 4 screws and end cap at opposite end of cylinder hole. Insert terminal end first into battery holder making sure they snap into holders.

6

Install Release Bracket And Strike

FIGURE 6A

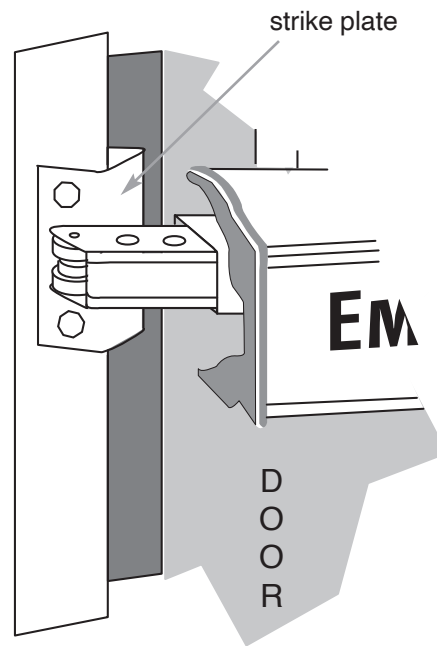
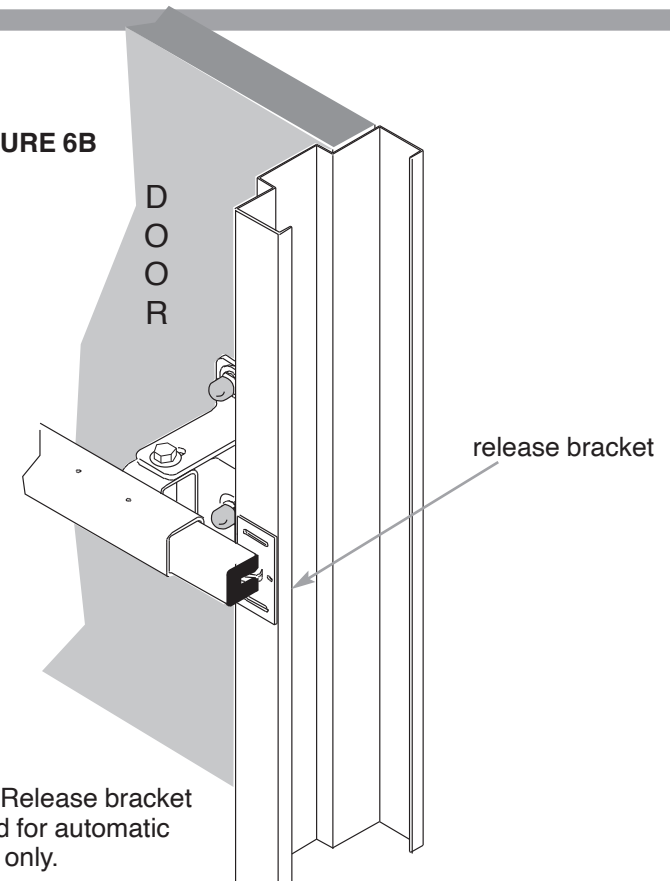


FIGURE 6B



Position strike plate on lock side of door, centering under roller bearing. Attach to door frame with two self drilling screws and star lock washers. Position release bracket on hinge side of door frame for fin to fit into slot of tailpiece. Attach the release bracket using two (2) self drilling/tapping screws and star lock washers. Ensure that extension rod contacts the release bracket and relocks unit when door is completely closed. Secure the release bracket with the third self-tapping screw and star lock washer into the center hole.

FINAL ADJUSTMENTS: Close door and release lock so the AAD lock spans the width of the door frame. On strike side, the roller bearing should clear the door frame stop by no more than 1/8" as it opens. The door is now secure with less than 1/8" clearance between roller bearing and strike plate. If adjustments needed, loosen nuts on door brackets, adjust and retighten.