

For online instructions, assistance or warranty information:
Call 1-800-392-5209 or visit <https://dhwsupport.dormakaba.com/hc/en-us>

ARM•A•DOR™

NOTE:
ELECTRICAL
HOOKUP
MUST
BE PERFORMED
BY A QUALIFIED
ELECTRICIAN
FOLLOWING
LOCAL CODES

A107-002 AC Hard Wire Adapter Kit

The ARM-A-DOR™ AC Hard Wire Adapter Kit can be used only with alarmed models manufactured after June 8, 1998. The adapter provides AC power to the alarm and uses battery backup in case of power failure. (Install this kit only on ARM-A-DOR units already installed on a door.)

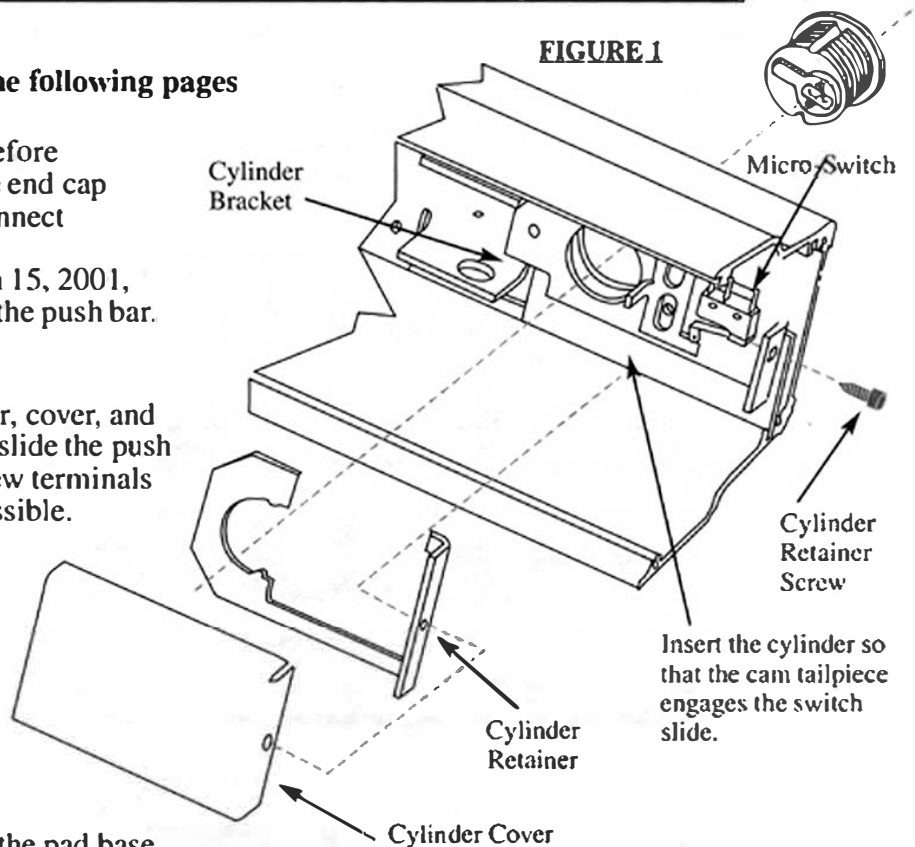
IMPORTANT NOTICE: Sargent & Greenleaf requires that all AC powered Arm-A-Dor units have 9 Volt Alkaline Batteries installed to provide continuous power to the alarm circuitry. Arm-A-Dor alarms installed and operated without backup batteries may not be covered under the product warranty. Without the battery backup, the unit will not beep the warn of the loss of AC power and not provide continuous protection against unauthorized egress.

ITEM	PART	QUANTITY
1	AC Adapter, Hard Wire (16.5. 300ma)	1
2	Cable Clamp	1
3	CableClips	5
4	Flexible Steel Sleeving	8 FT.
5	Wire Assembly (22 AWG- Red and Black)	10 FT.
6	Wire Sticker	1
7	Bolt 1/4-20 x 2.75" Long	1
8	AC/ BATT Jumper (Shunt) /Dip Switch	1
9	Assembly Instruction Sheet	1
10	6-32 x .5" Long	2
11	J-Box	1
12	Double Sided Tape	2

INSTALLATION

Refer to Figures 1 through 5 on the following pages as you perform these steps.

- On Models manufactured before March 15, 2001, remove the end cap from the push bar and disconnect the battery connector. If manufactured after March 15, 2001, remove both end caps from the push bar. Remove the batteries.
- Remove the cylinder retainer, cover, and cylinder (See Figure 1) and slide the push bar off the unit until the screw terminals on the alarm board are accessible. (See Figures 4 & 5).
- Insert the black and red wiring (item 5) into the flexible steel sleeve cable (item 4). Leave 12 inches of wire exposed at either end of the sleeve cable.
- Remove the existing bolt at the pad base end of the link are closest to the key cylinder hole. Slide the 2.75 inch bolt (item 7) provided through the opening of the cable clamp (item 2), and place one end of the flexible steel sleeve cable in the cable clamp (See Figure 5). Replace the 2.75 inch bolt and assembly into the link arm. Replace the washer and nut and secure.



5. Connect the wiring (item 5) to the screw terminals on the alarm board. The locations are marked either AC/BATT (see figure 3) or AC (models manufactured after March 15, 2001, (See Figure 4). Attach the red wire to either screw terminal and the black wire to the other. Place the wiring under the wire sticker (item 6). (See Figure 2).
6. On models manufactured before March 15, 2001, place the blue jumper (shunt) (item 8) on the two pins marked "AC/BATT" on the PC board. Recommended installation is with the 3M logo on top. (See Figure 3).

NOTE: On models manufactured after March 15, 2001, flip the dipswitch #5 to the ON position. (See Figure 5).

7. To secure the sleeve cable to the unit, use 2 cable clips (item 3) and 2 double sided tape (item 12). Wrap the double sided tape around flexible cable approximately 8 inches apart. Secure cable clips around double sided tape and secure. Attach to the top side of the 1 1/2" square tube. Position these so the route of the flexible steel sleeve cable does not interfere with the opening and closing of the unit and will not be pinched
8. Slide push bar back onto pad base and reinstall cylinder, cylinder retainer, and cylinder cover.
9. Route the wiring and sleeving across the hinge and up the door jamb, using the cable clips (item 1) provided. Leave a service loop for flexing when the door is opened and closed.

NOTE: A certified electrician must make all connections at this point. The electrician will follow all local codes.

10. Connect the other end of the wiring to the AC adapter (transformer) at the screw terminals.
11. Attach the other end of the AC adapter (transformer) to the power supply.
12. Attach the AC adapter (transformer) to the J-Box.
13. Mount the J-Box.

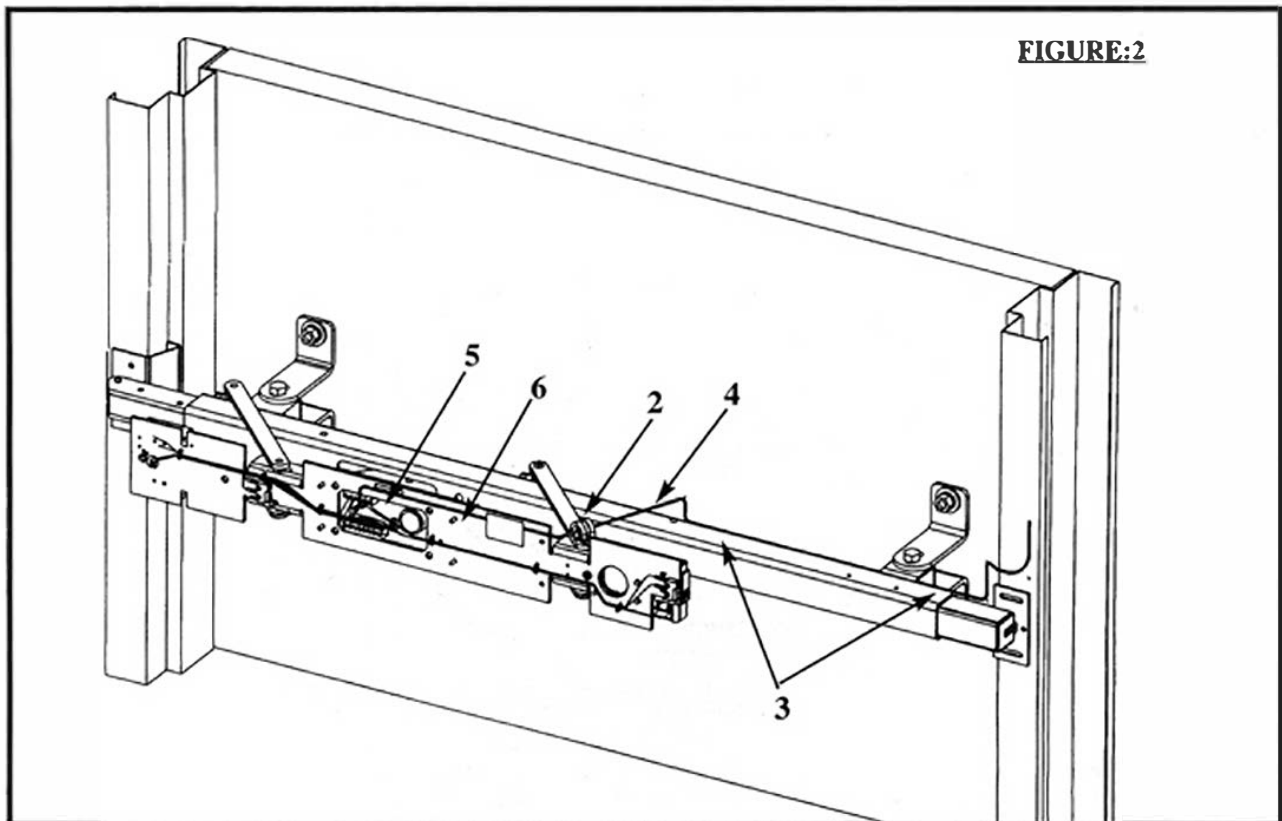
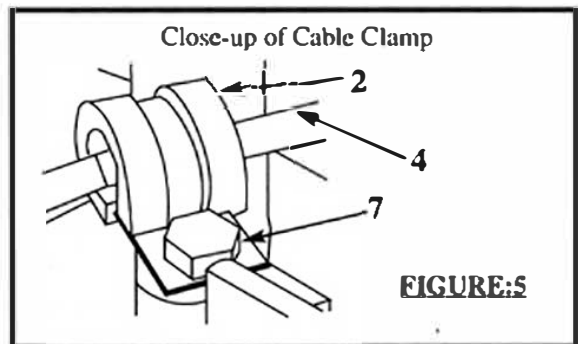
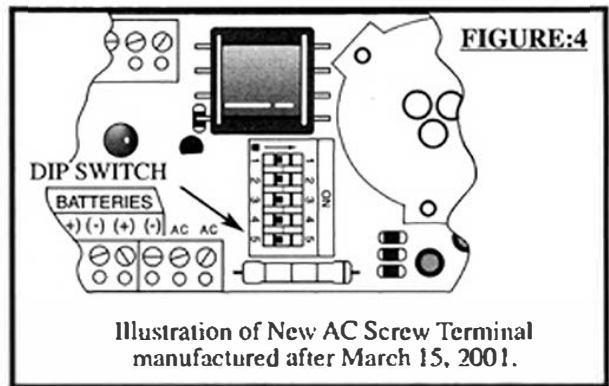
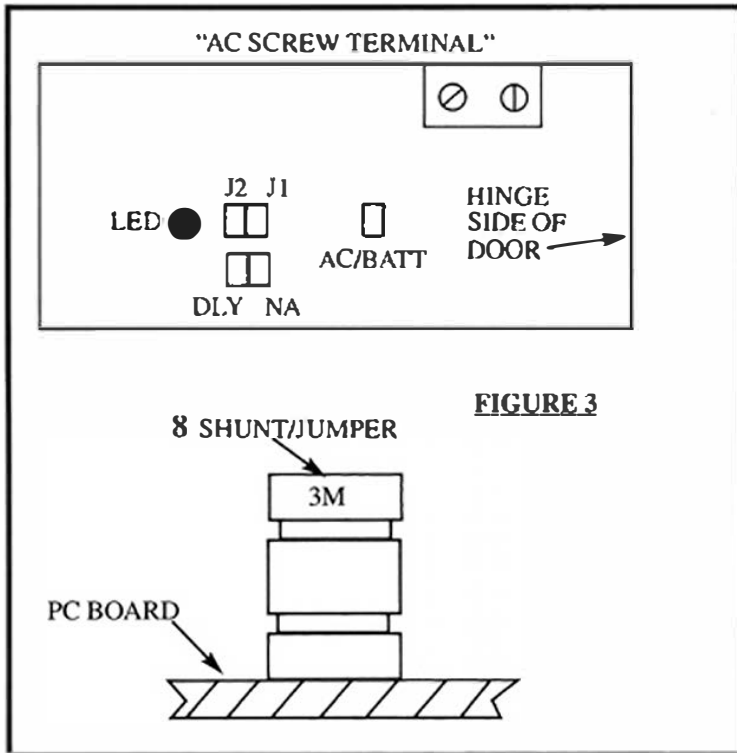


FIGURE:2



TEST

1. Turn on the power to the AC adapter (transformer) from a 120VAC, 60Hz source. The alarm will beep 5 times.
2. On models manufactured before March 15, 2001, reconnect the battery connector and reinstall the end cap with the four screws. On models manufactured after March 15, 2001, reinstall the batteries on the back of the push pad, then install the end caps with four screws in each end cap.
3. To activate the alarm, turn the key to the armed position as indicated on the label and listen for four beeps. The LED located in the middle of the push bar will start to blink red once every 10 seconds. This indicates your alarm is armed and will sound when the door is opened.

NOTE: On models manufactured prior to March 15th, 2001, after the key is turned to the armed position, for approximately 20 seconds, the LED light will flash fast, then it will blink once every 10 seconds, indicating it is armed.

Power Failure Indication: If the AC (transformer) power fails, the alarm gives a power failure indication (two beeps then pause, two beeps then pause) and continues to operate via the battery power. Therefore, check the batteries periodically to ensure they still function properly. Simply unplug or turn off the power to the transformer and listen for the power failure indication. If the batteries are low, the unit will emit a low volume beep every 10 seconds until they are replaced. See the ARM-A-DOR™ Owner's Guide for replacement instructions.

Corporate Headquarters
dormakaba USA Inc.
6161 East 75th Street
Indianapolis, IN 46250