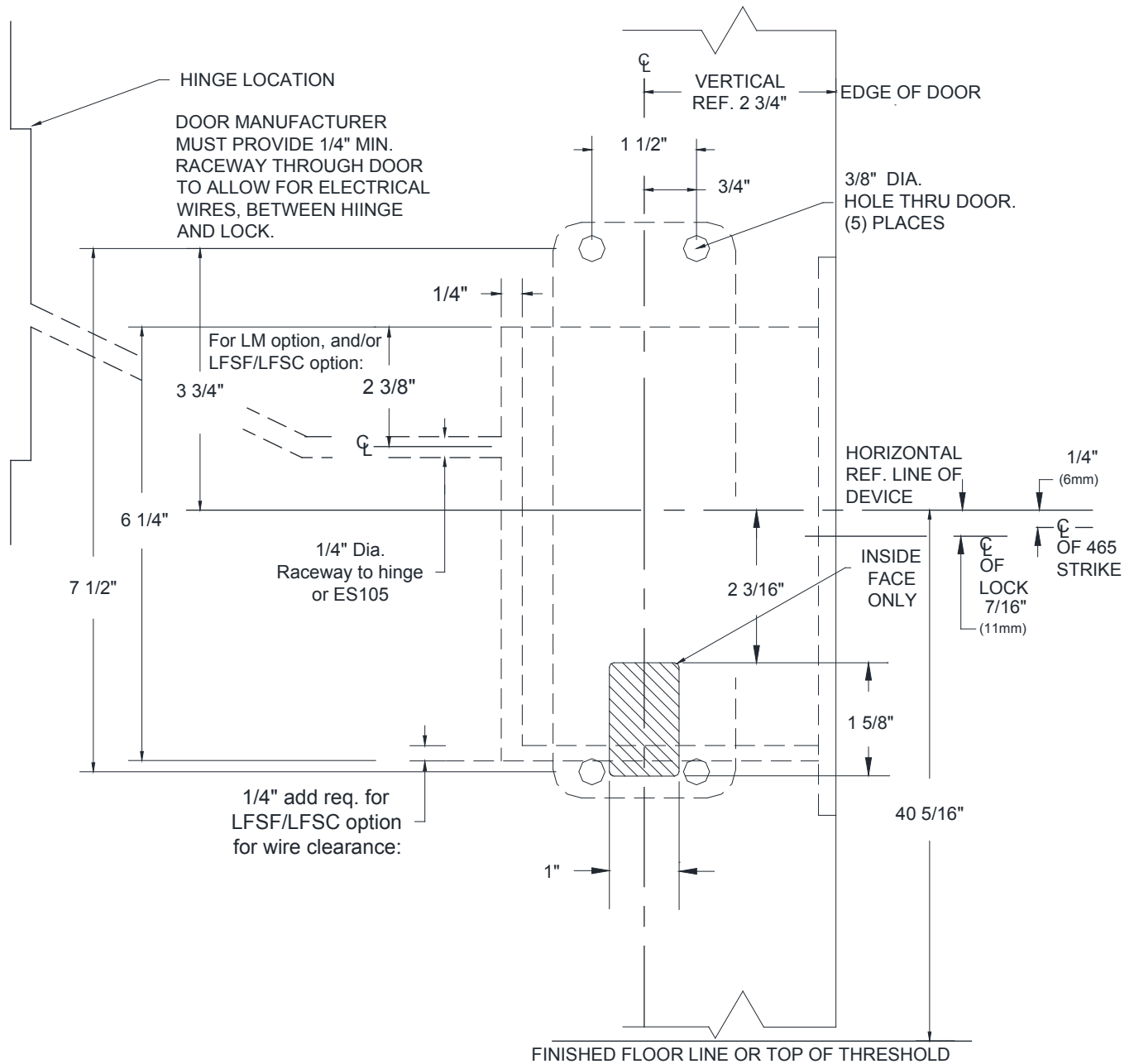


RHR shown
LHR opposite



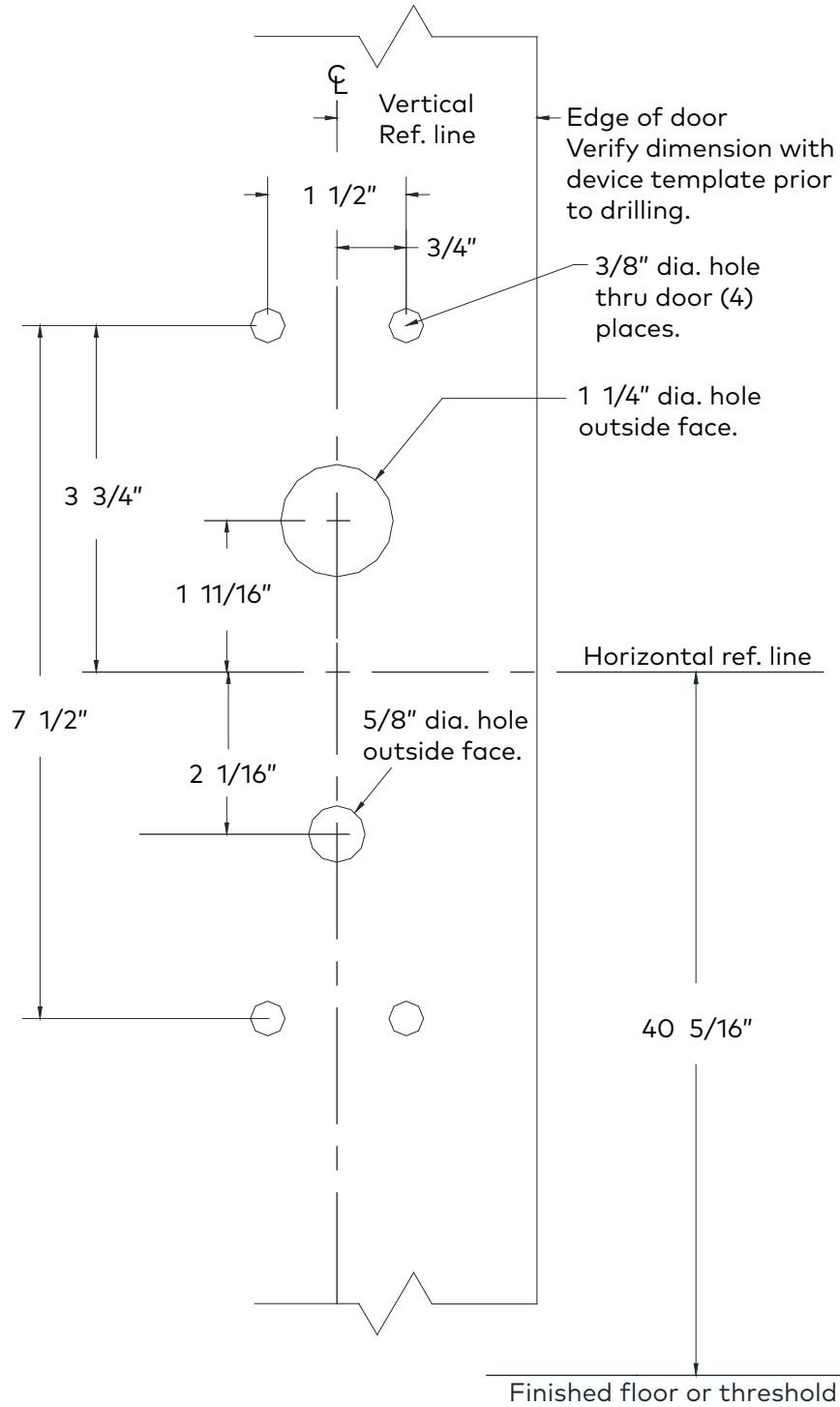
Notes:
See master sheet T-0001 for suggested door reinforcement.
See additional trim template when required.

Do not scale

Rev. No. 5	Revision: New border	Date: 1-1-2020
dormakaba	9500/F9500 Mortise device X LFSF/LFSC function	T-9504 Template Number


Always consult dormakaba website for latest templates at www.dormakaba.com or call 1-800-523-8483 1/20

RHR shown
LHR opposite



Notes:
See master sheet T-0001 for suggested door reinforcement.
See additional device template when required.
Trim will cover standard SDI cutout.

Do not scale

Rev. No. 6	Revision: New border	Date: 1-1-2020
	<p>Y*03MR, Y*08M, Y*08MC or Y003M trim (* Denotes all lever designs)</p>	<p>T-9012 Template Number</p>

Always consult dormakaba website for latest templates at www.dormakaba.com or call 1-800-523-8483 1/20