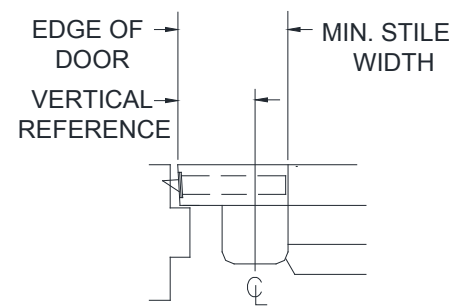
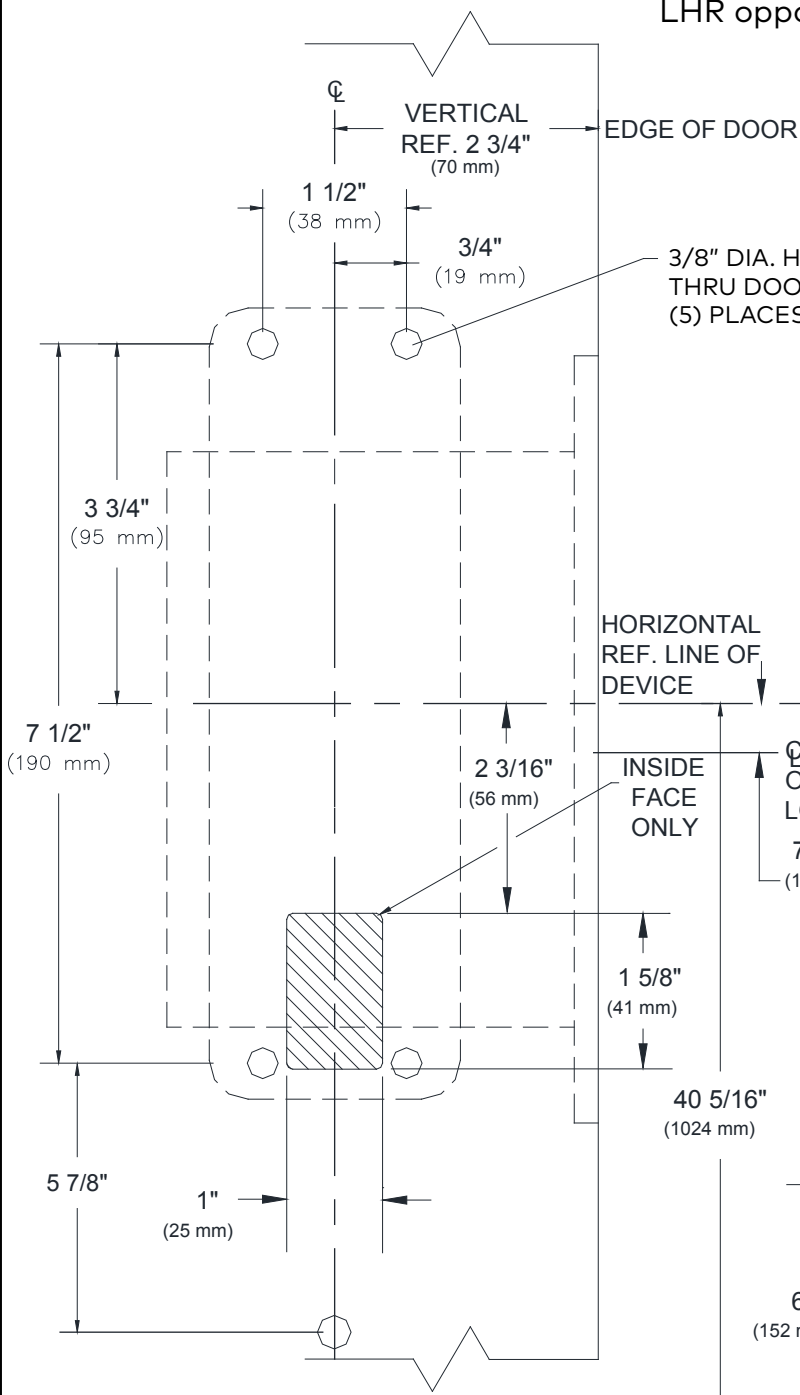
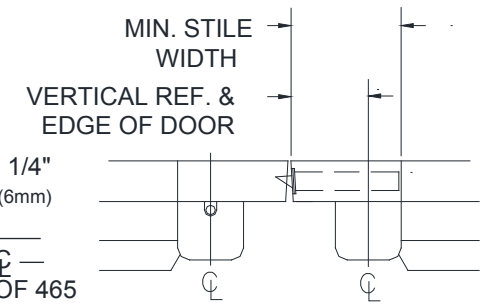


RHR shown
LHR opposite

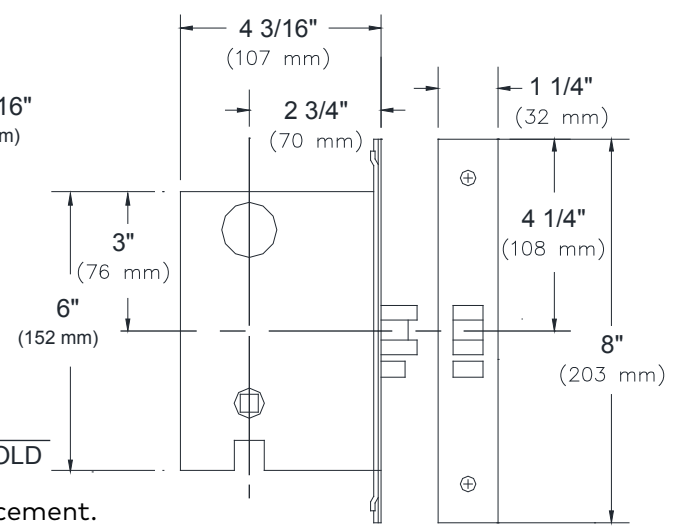


VERTICAL REFERENCE	MINIMUM STILE WIDTH
2 3/4" (70 mm)	4 3/16" (106 mm)



VERTICAL REFERENCE	MINIMUM STILE WIDTH
2 3/4" (70 mm)	4 3/16" (106 mm)

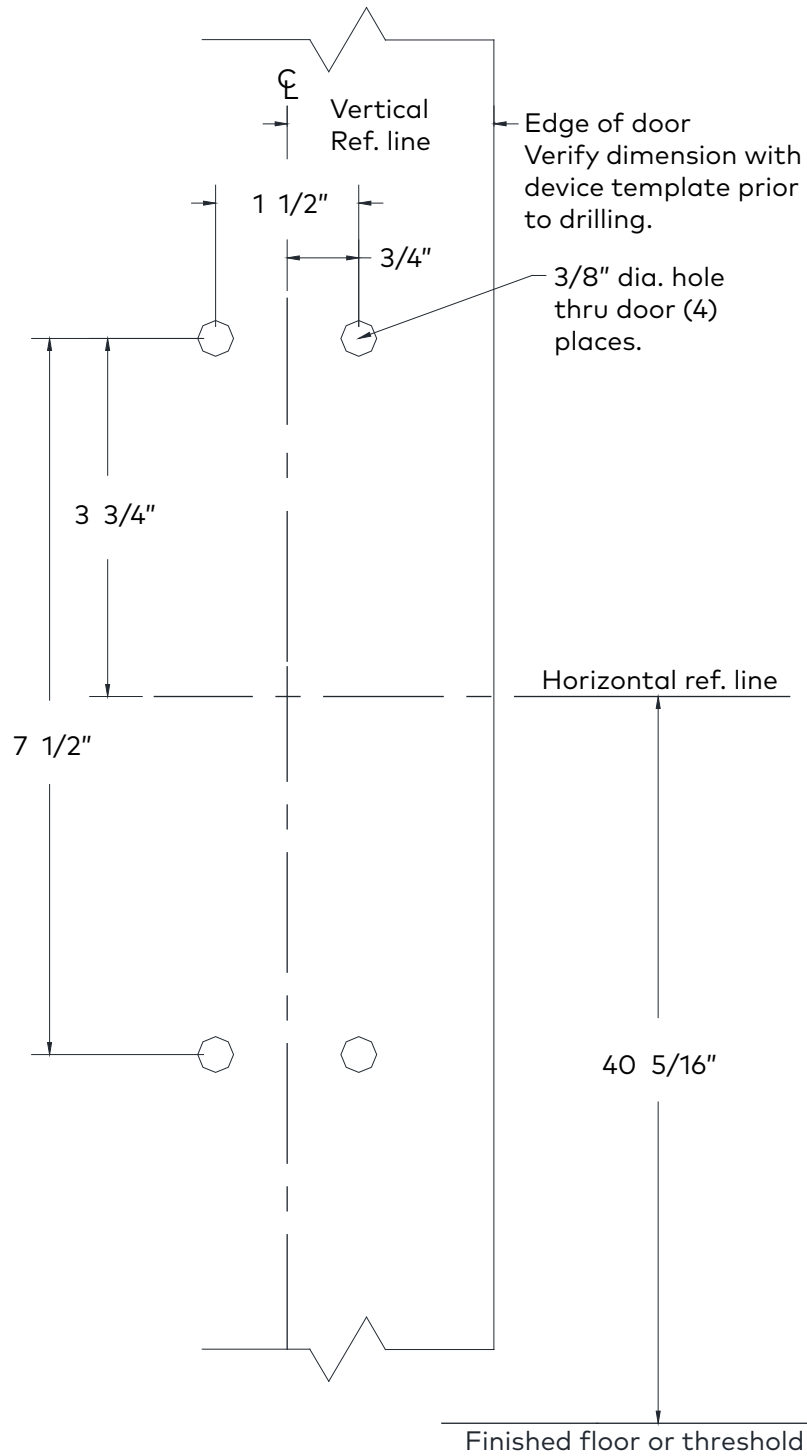
Notes:
See master sheet T-0001 for suggested door reinforcement.
See additional trim template when required.
Device will cover standard SDI cutout.
For sex bolts use 3/8" dia. drill.



Do not scale

Rev. No. 7	Revision: New border	Date: 1-1-2020
	9500/F9500 Mortise device x VODT, NPTDT, HTT22M, HRT22M, HTT05M, HRT05M, V102, V302, PTT02, PRT02, V103M, V303M, PTT03M & PRT03M	T-9502 Template Number

RHR shown
LHR opposite



Notes:

See master sheet T-0001 for suggested door reinforcement.

See additional device template when required.

Trim will cover standard SDI cutout.

Do not scale

Rev. No. 4

Revision: New border

Date: 1-1-2020

dormakaba

YODT & Y*02R
(* Denotes all lever designs)

T-9000

Template Number

Always consult dormakaba website for latest templates at www.dormakaba.com or call 1-800-523-8483 1/20