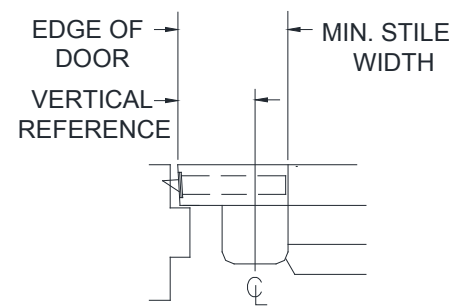
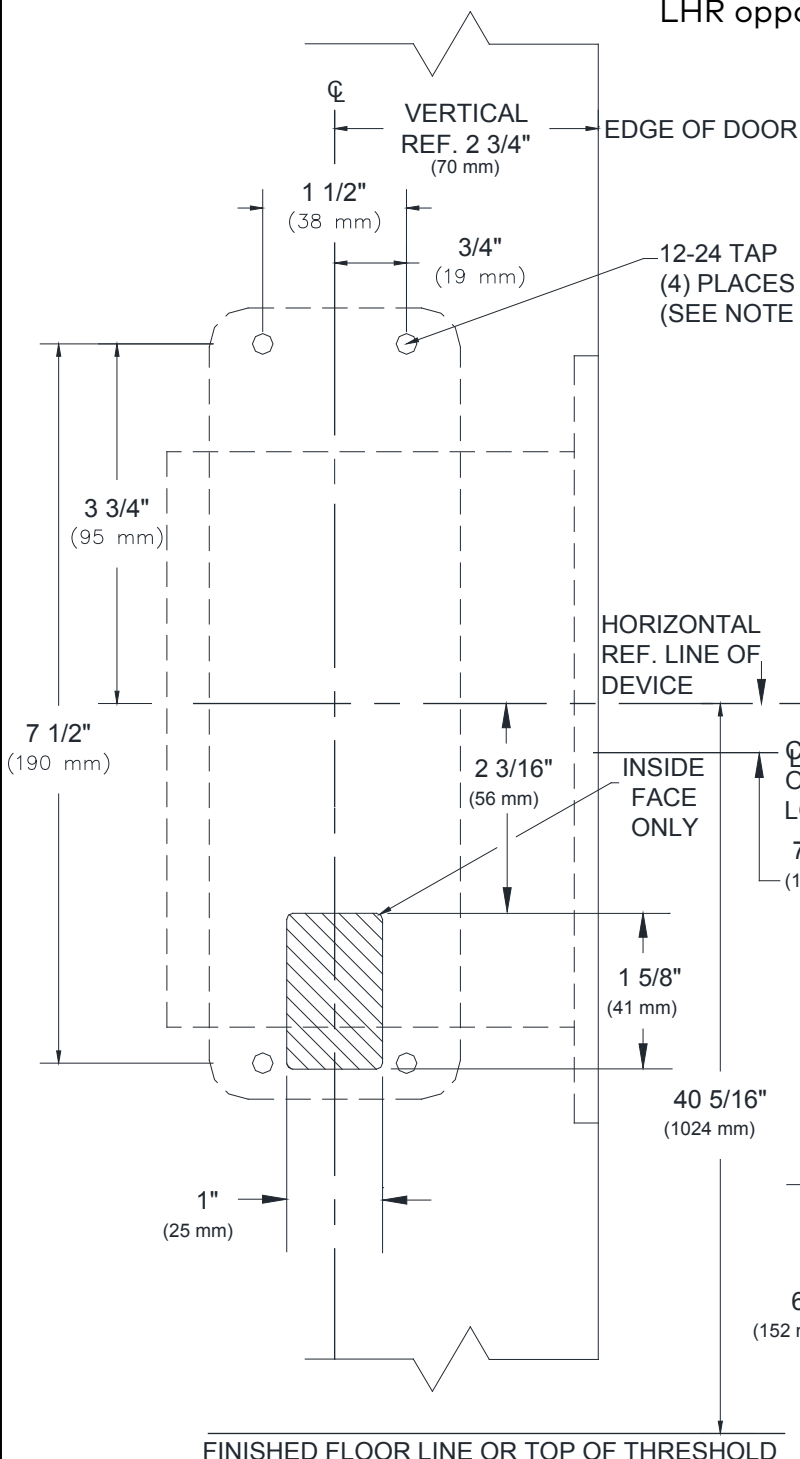
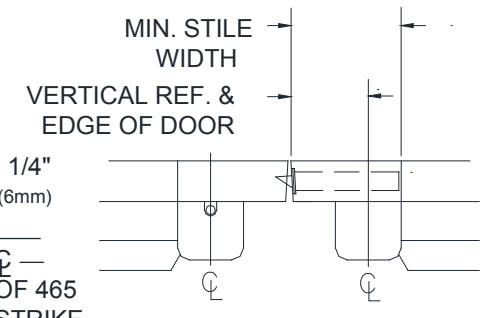


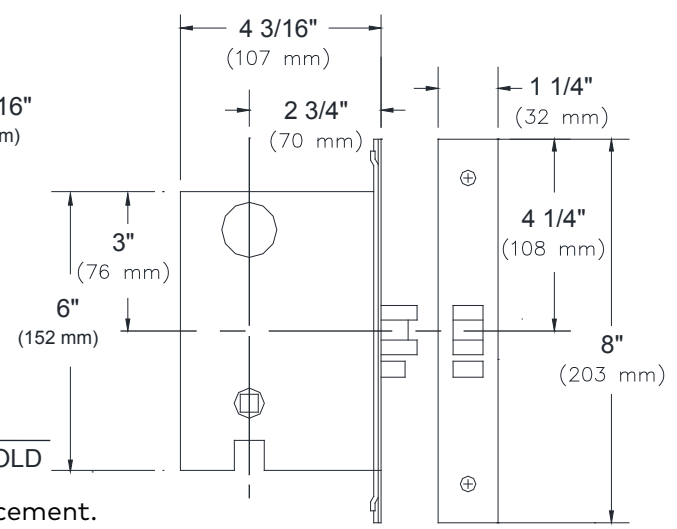
RHR shown
LHR opposite



VERTICAL REFERENCE	MINIMUM STILE WIDTH
2 3/4" (70 mm)	4 3/16" (106 mm)




VERTICAL REFERENCE	MINIMUM STILE WIDTH
2 3/4" (70 mm)	4 3/16" (106 mm)



Notes:
See master sheet T-0001 for suggested door reinforcement.
See additional trim template when required.
Device will cover standard SDI cutout.
For sex bolts use 3/8" dia. drill.

Do not scale

Rev. No. 5	Revision: New border	Date: 1-1-2020
		T-9500 Template Number
9500/F9500 Mortise device		