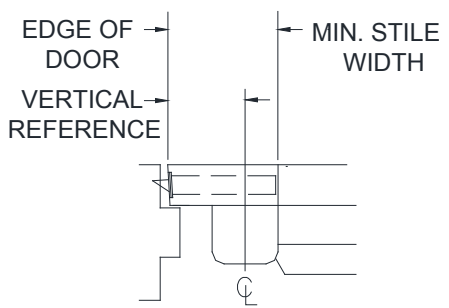
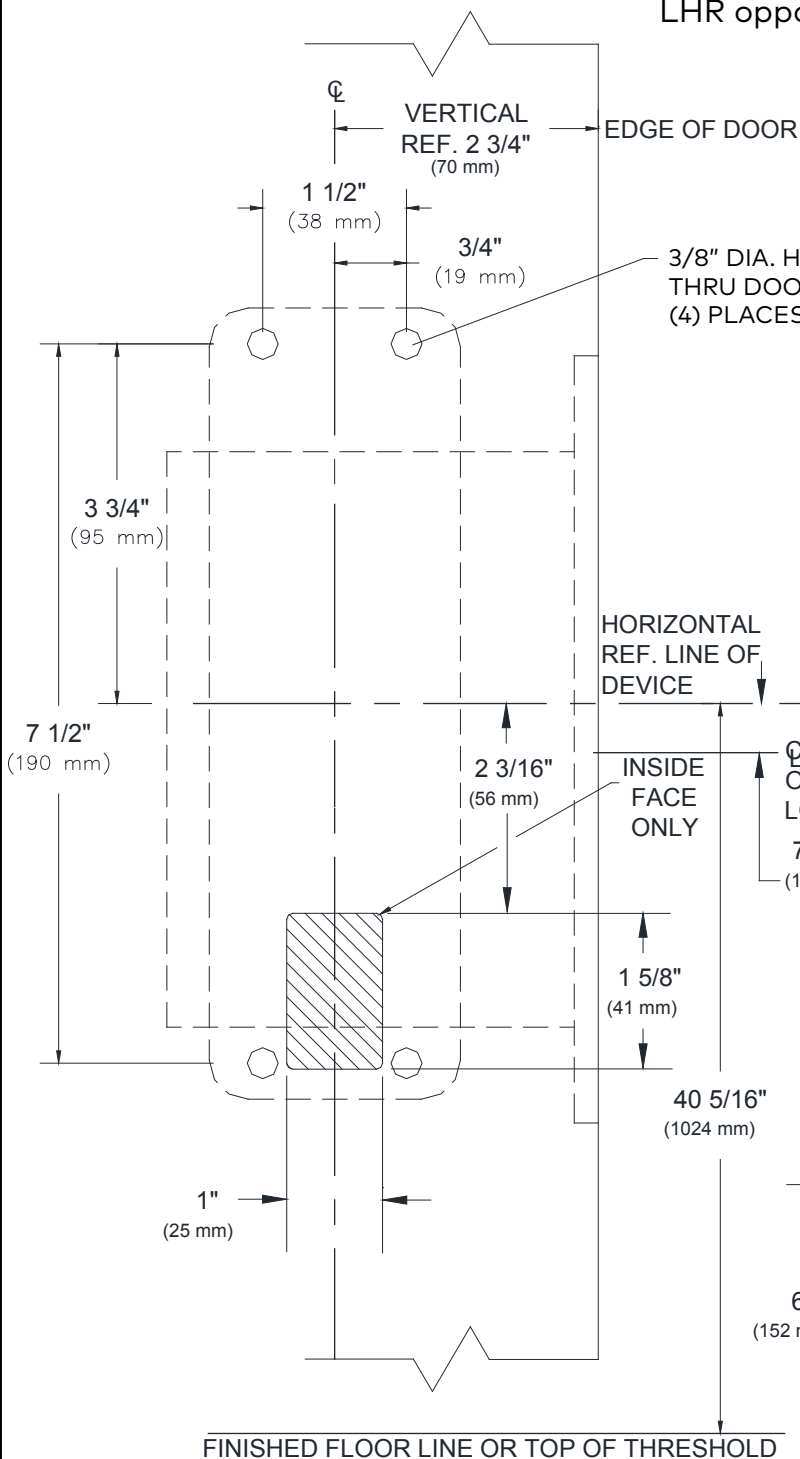
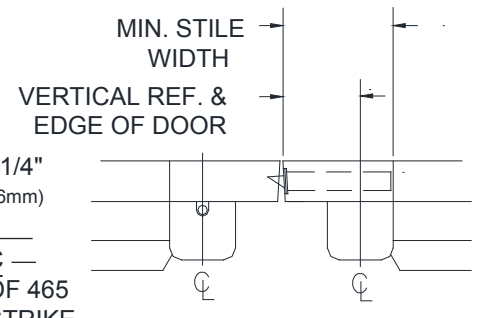


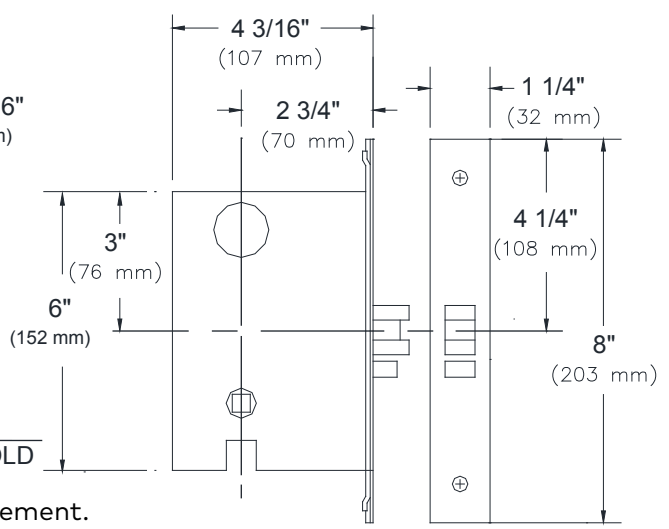
RHR shown
LHR opposite



VERTICAL REFERENCE	MINIMUM STILE WIDTH
2 3/4" (70 mm)	4 3/16" (106 mm)



VERTICAL REFERENCE	MINIMUM STILE WIDTH
2 3/4" (70 mm)	4 3/16" (106 mm)

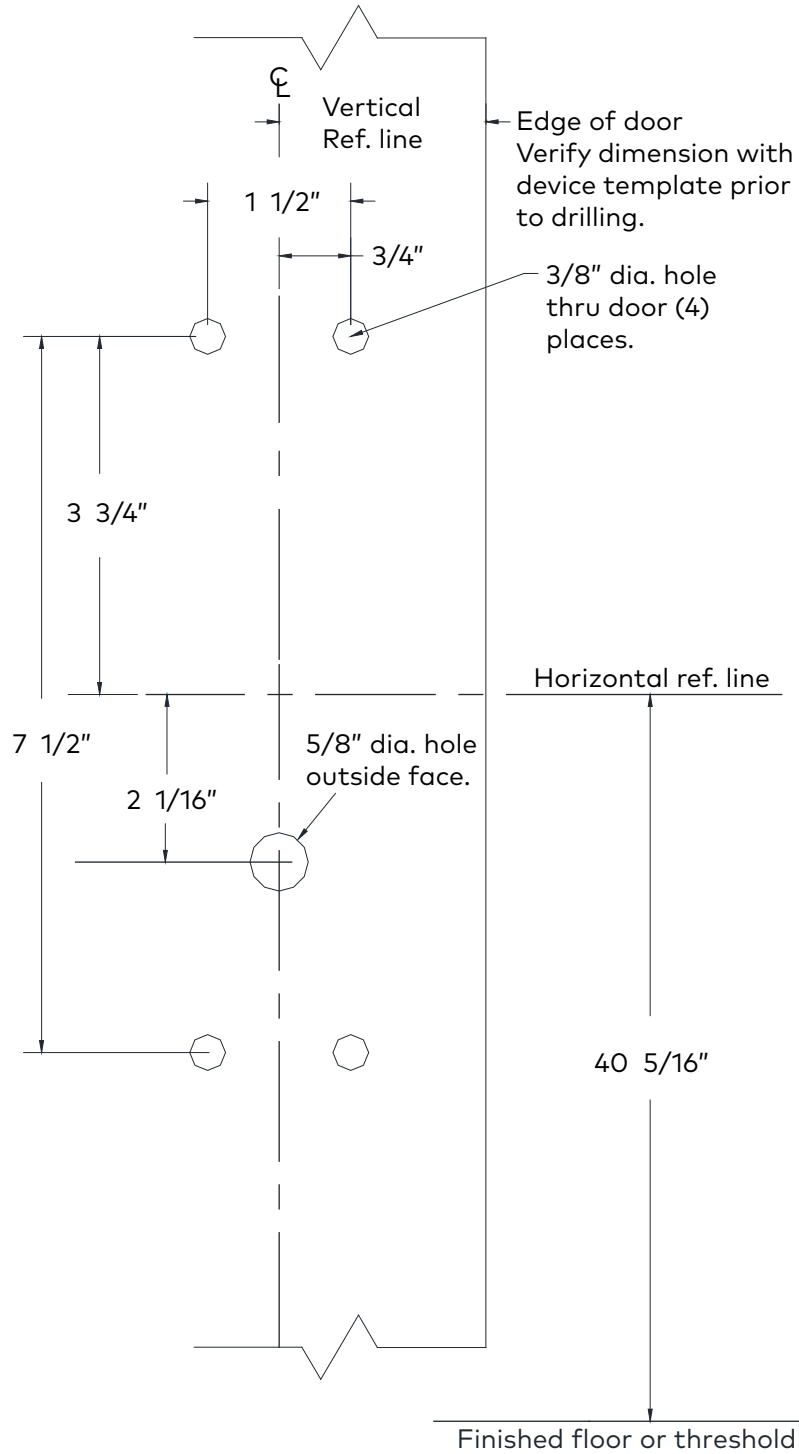


Notes:
See master sheet T-0001 for suggested door reinforcement.
See additional trim template when required.
Device will cover standard SDI cutout.
For sex bolts use 3/8" dia. drill.

Do not scale

Rev. No. 6	Revision: New border	Date: 1-1-2020
dormakaba	9500/F9500 Mortise device x YODT, Y*02MR, Y*03MR, Y*23M, Y*08M trim (* Denotes all lever designs)	T-9501 Template Number

RHR shown
LHR opposite




Edge of door
Verify dimension with
device template prior
to drilling.

3/8" dia. hole
thru door (4)
places.

Notes:
See master sheet T-0001 for suggested door reinforcement.
See additional device template when required.
Trim will cover standard SDI cutout.

Do not scale

Rev. No. 4	Revision: New border	Date: 1-1-2020
dormakaba 	Y*23M trim (* Denotes all lever designs)	T-9011 Template Number

Always consult dormakaba website for latest templates at www.dormakaba.com or call 1-800-523-8483 1/20