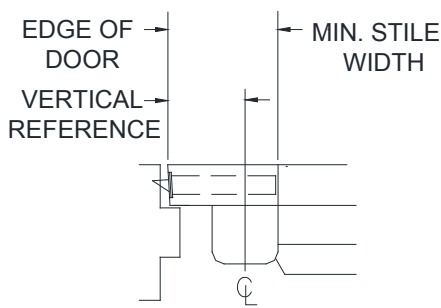
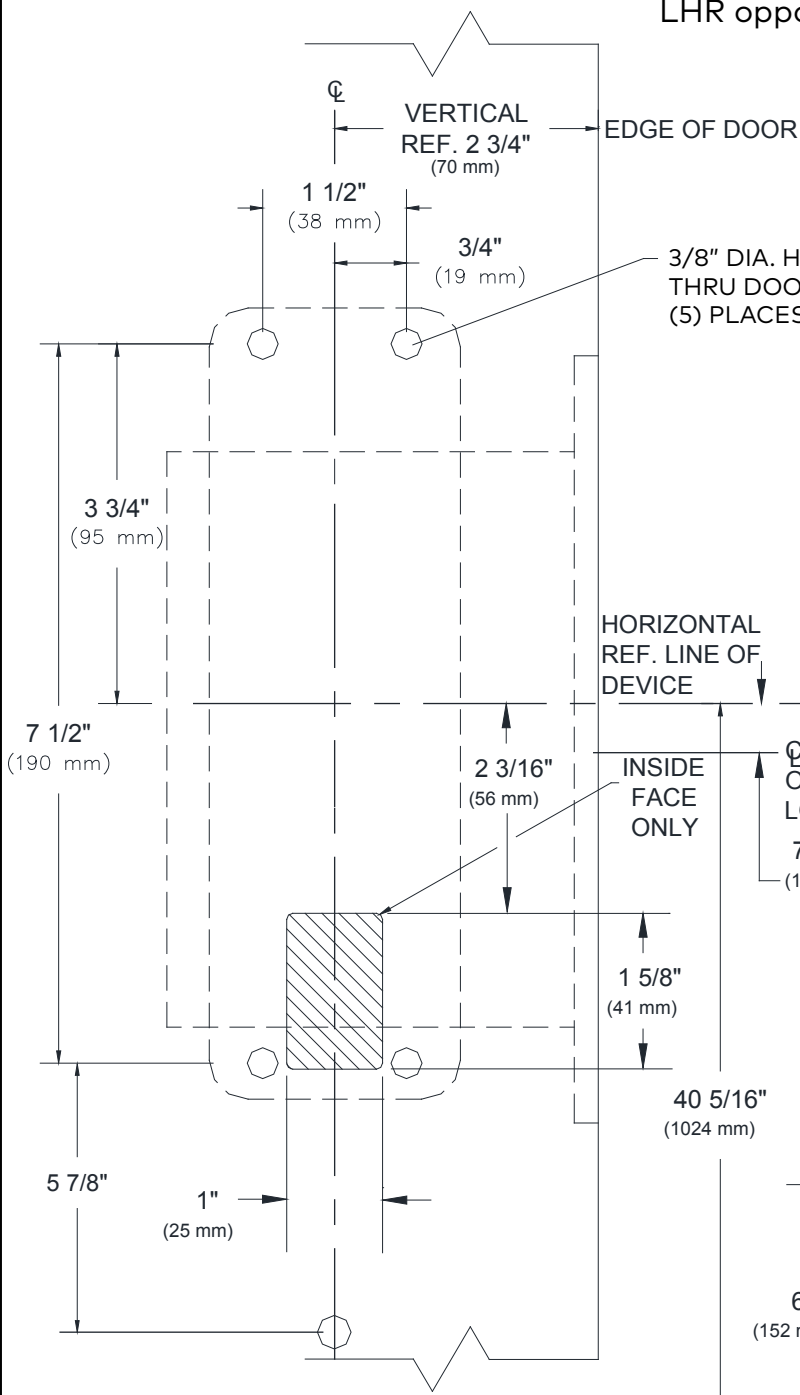
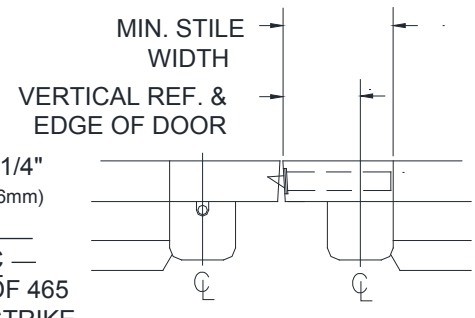


RHR shown  
LHR opposite

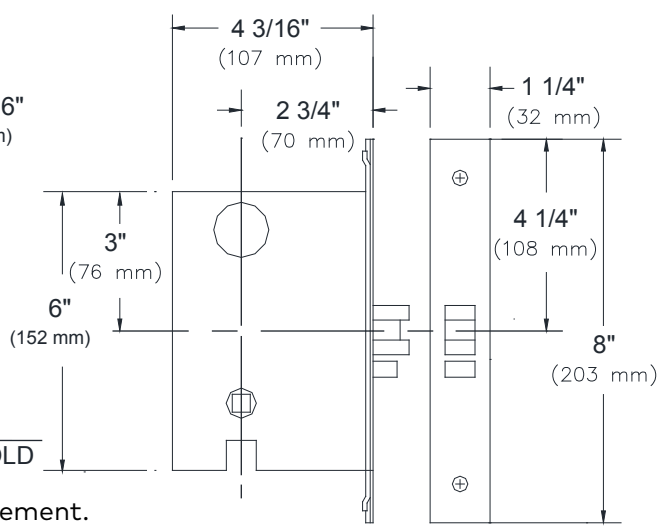


VERTICAL REFERENCE	MINIMUM STILE WIDTH
2 3/4" (70 mm)	4 3/16" (106 mm)



VERTICAL REFERENCE	MINIMUM STILE WIDTH
2 3/4" (70 mm)	4 3/16" (106 mm)

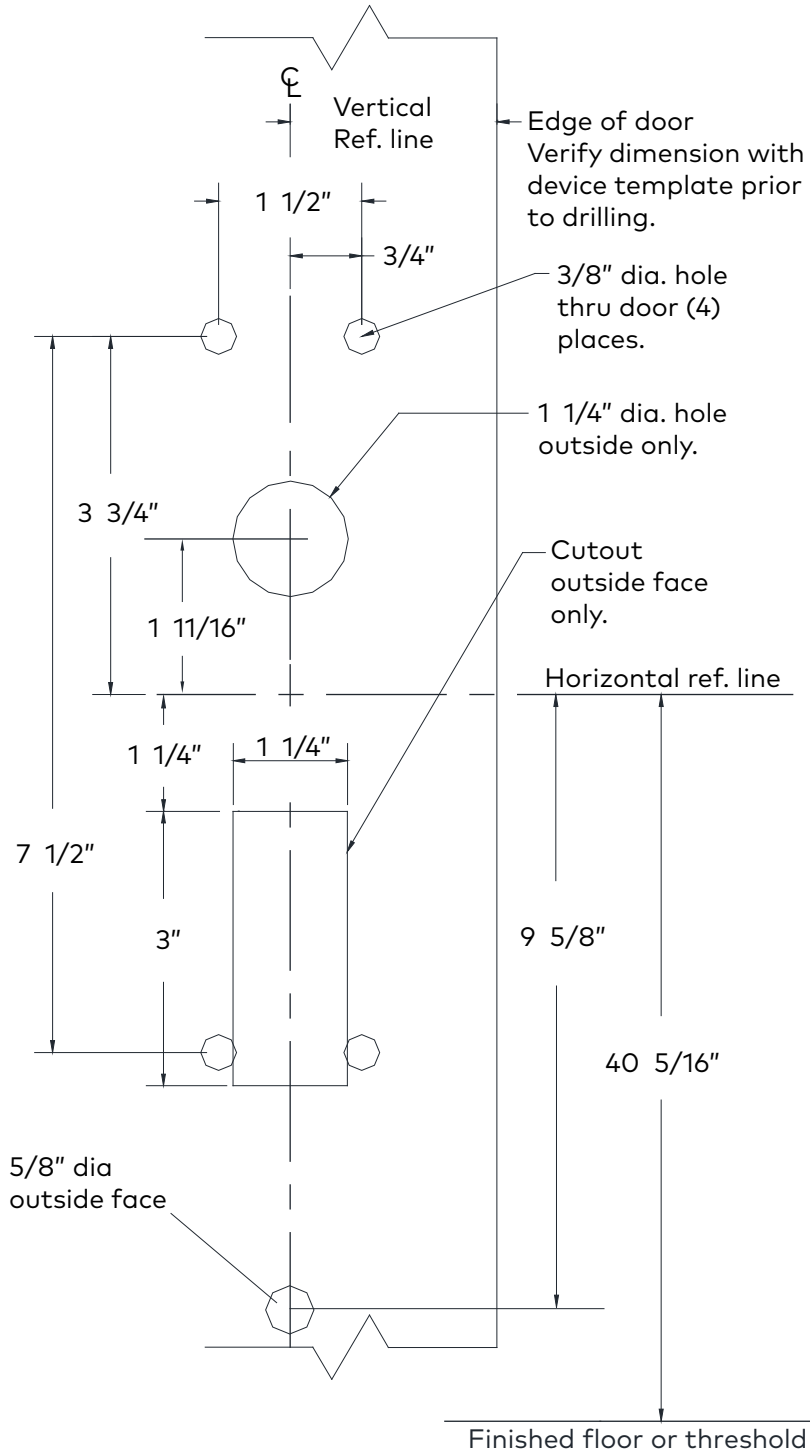
Notes:  
See master sheet T-0001 for suggested door reinforcement.  
See additional trim template when required.  
Device will cover standard SDI cutout.  
For sex bolts use 3/8" dia. drill.



Do not scale

Rev. No. 7	Revision: New border	Date: 1-1-2020
	9500/F9500 Mortise device x VODT, NPTDT, HTT22M, HRT22M, HTT05M, HRT05M, V102, V302, PTT02, PRT02, V103M, V303M, PTT03M & PRT03M	<b>T-9502</b> Template Number

RHR shown  
LHR opposite



Notes:

See master sheet T-0001 for suggested door reinforcement.

See additional device template when required.

Trim will cover standard SDI cutout.

Do not scale

Rev. No. 5

Revision: New border

Date: 1-1-2020

**dormakaba**

HTT05M or HRT05M trim

**T-9010**

Template Number

Always consult dormakaba website for latest templates at [www.dormakaba.com](http://www.dormakaba.com) or call 1-800-523-8483 1/20