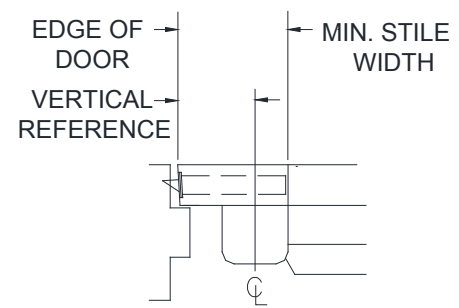
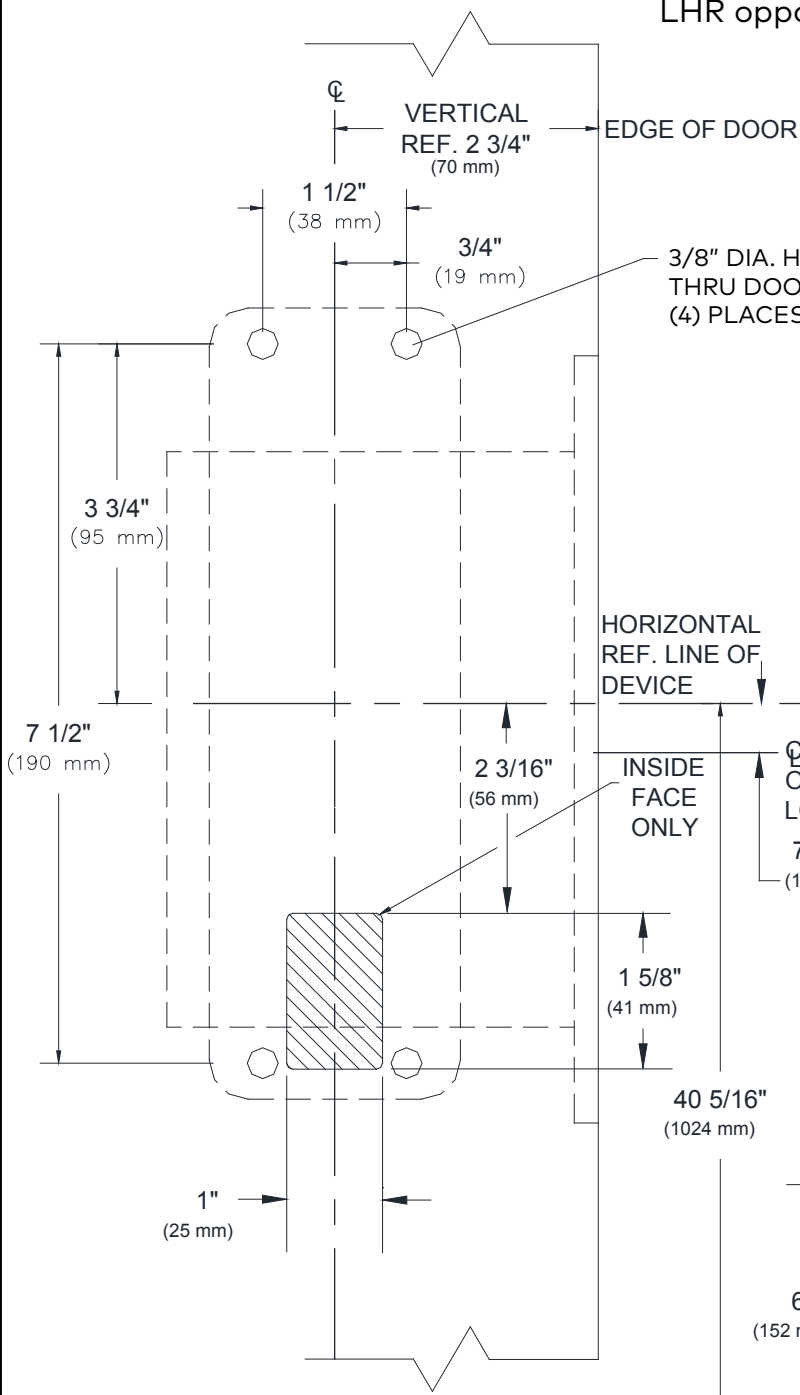
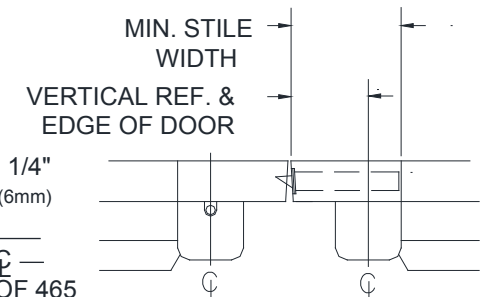


RHR shown  
LHR opposite

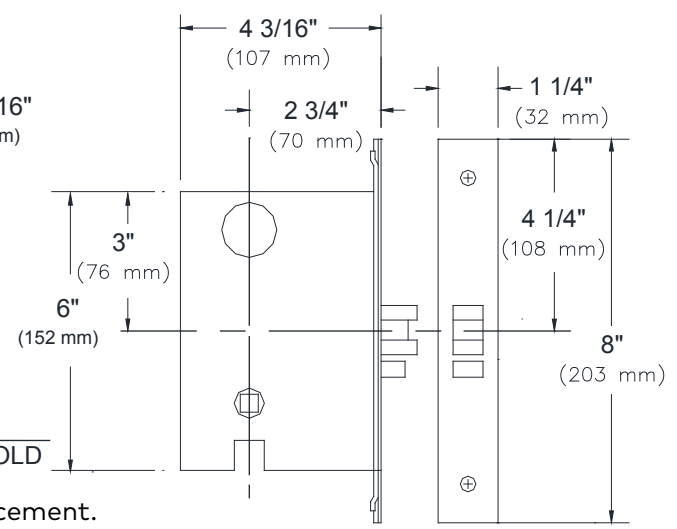


VERTICAL REFERENCE	MINIMUM STILE WIDTH
2 3/4" (70 mm)	4 3/16" (106 mm)



VERTICAL REFERENCE	MINIMUM STILE WIDTH
2 3/4" (70 mm)	4 3/16" (106 mm)

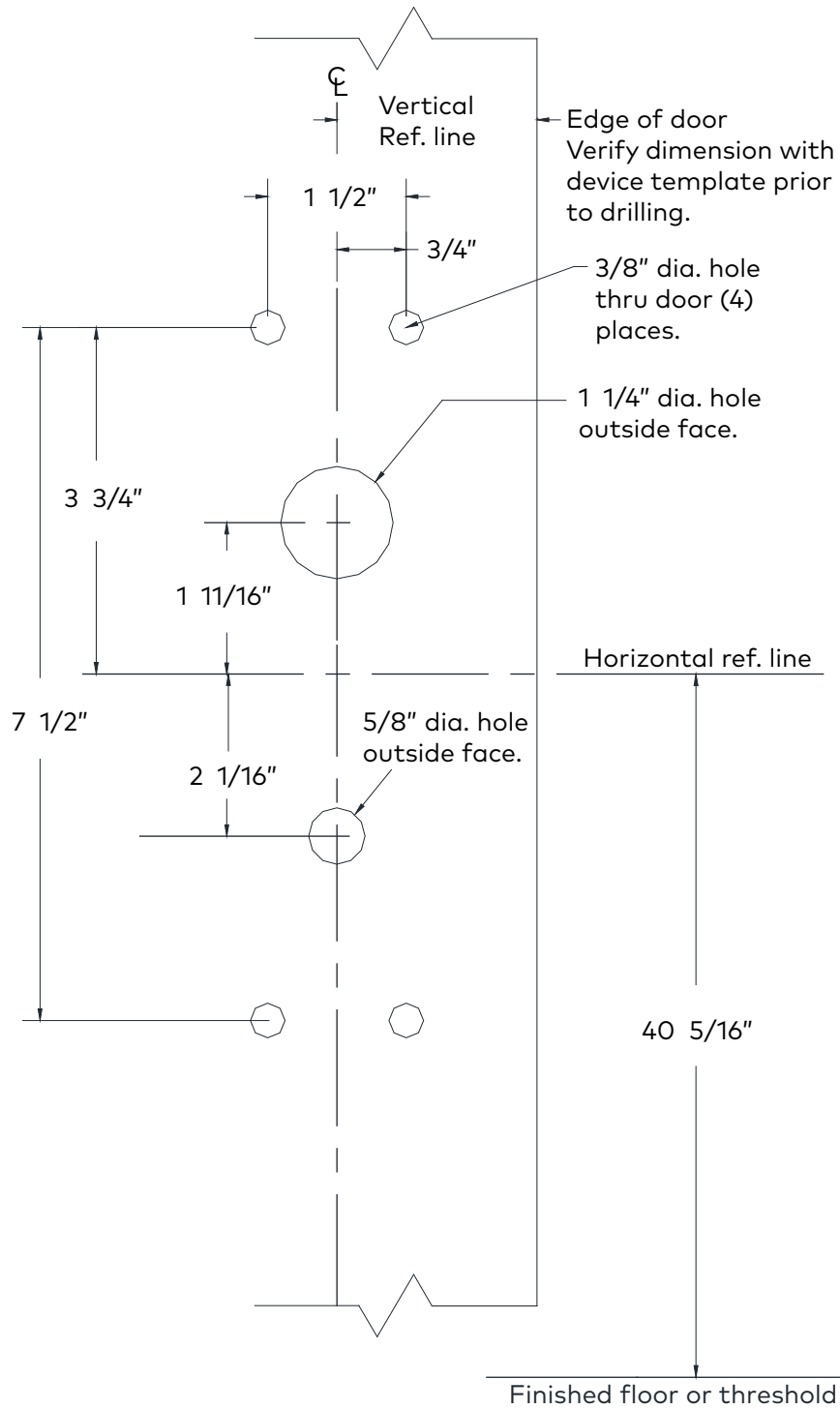
Notes:  
See master sheet T-0001 for suggested door reinforcement.  
See additional trim template when required.  
Device will cover standard SDI cutout.  
For sex bolts use 3/8" dia. drill.



Do not scale

Rev. No. 6	Revision: New border	Date: 1-1-2020
	9500/F9500 Mortise device x YODT, Y*02MR, Y*03MR, Y*23M, Y*08M trim (*) Denotes all lever designs	<b>T-9501</b> Template Number


RHR shown  
LHR opposite



Notes:

See master sheet T-0001 for suggested door reinforcement.  
See additional device template when required.  
Trim will cover standard SDI cutout.

Do not scale

Rev. No. 6	Revision: New border	Date: 1-1-2020
	<p>Y*03MR, Y*08M, Y*08MC or Y003M trim (* Denotes all lever designs)</p>	<p>T-9012 Template Number</p>

Always consult dormakaba website for latest templates at [www.dormakaba.com](http://www.dormakaba.com) or call 1-800-523-8483 1/20