

Conversion Instructions for Cylindrical (9KZ) and Mortise (45HZ) Electronic Inside Escutcheons

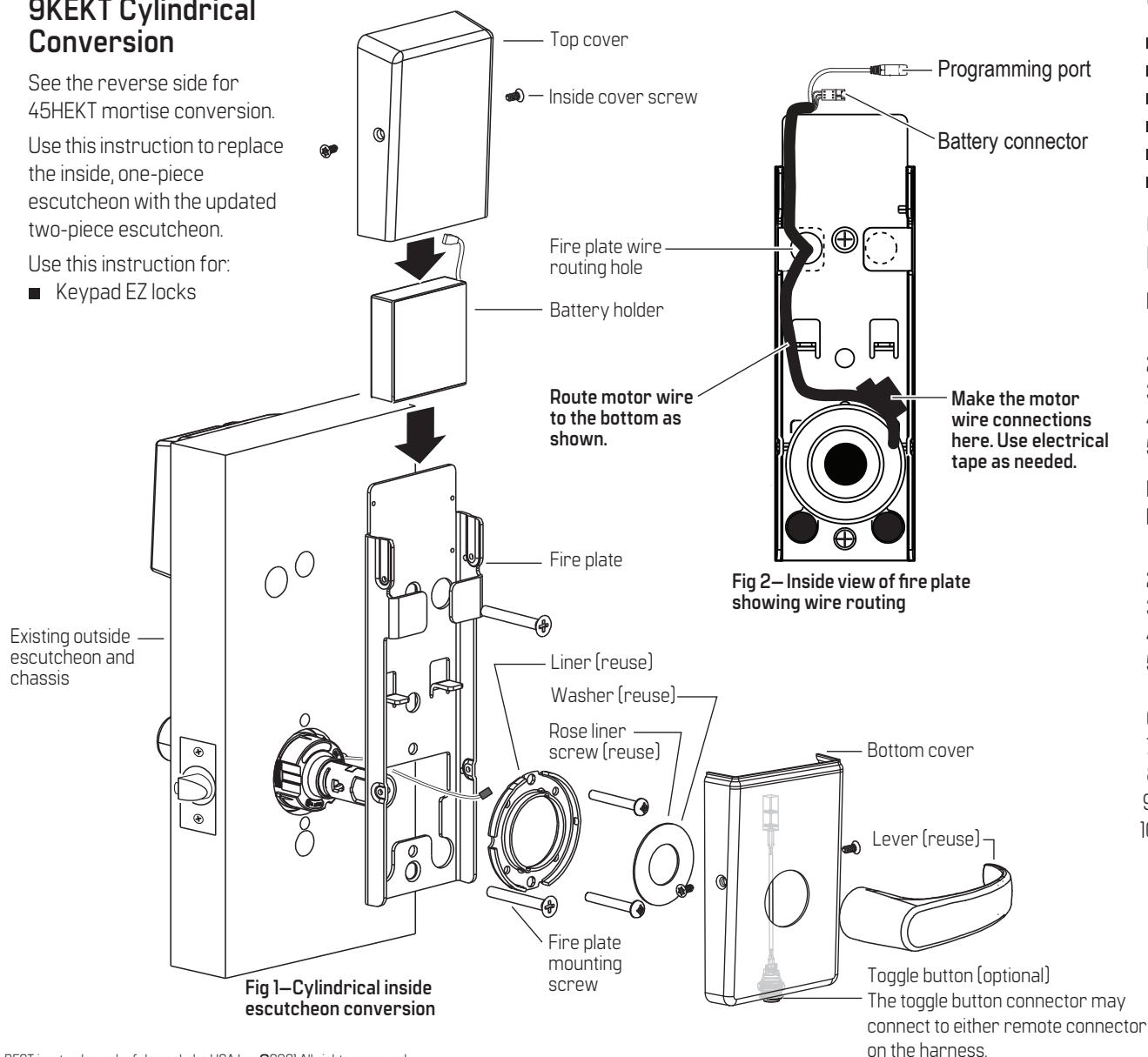
9KEKT Cylindrical Conversion

See the reverse side for 45HEKT mortise conversion.

Use this instruction to replace the inside, one-piece escutcheon with the updated two-piece escutcheon.

Use this instruction for:

- Keypad EZ locks



Components in the Box

- Top cover
- Bottom cover
- Fire plate with mounting screws (qty. 2)
- Battery holder with batteries
- Inside cover screws (qty. 4)
- Self wrapping sleeving

Conversion Instructions for Cylindrical Electronic Inside Escutcheons

Remove old inside escutcheon.

- 1 Remove the inside lever. Save and reuse.
- 2 Remove the battery door.
- 3 Remove the inside escutcheon.
- 4 Disconnect the wires.
- 5 Remove the liner and washer. Save and reuse.

Install new inside two-piece escutcheon. (top cover and bottom cover)

- 1 Route wires through the fire plate hole. See Figure 2.
- 2 Mount the fire plate.
- 3 Reinstall the liner and washer.
- 4 Connect the motor wire. See Figure 2.
- 5 Route wires on fire plate. See Figure 2 for the proper routing of the wires.
- 6 Install the bottom cover.
- 7 Install inside lever.
- 8 Install the battery holder from the top of the fire plate.
- 9 Connect the battery wire.
- 10 Install the top cover.

45HEKT Mortise Conversion

See the reverse side for 9KEKT cylindrical conversion.

Use this instruction to replace the inside, one-piece escutcheon with the updated two-piece escutcheon.

Use this instruction for:

- Keypad EZ locks

Fig 1—Mortise inside escutcheon conversion

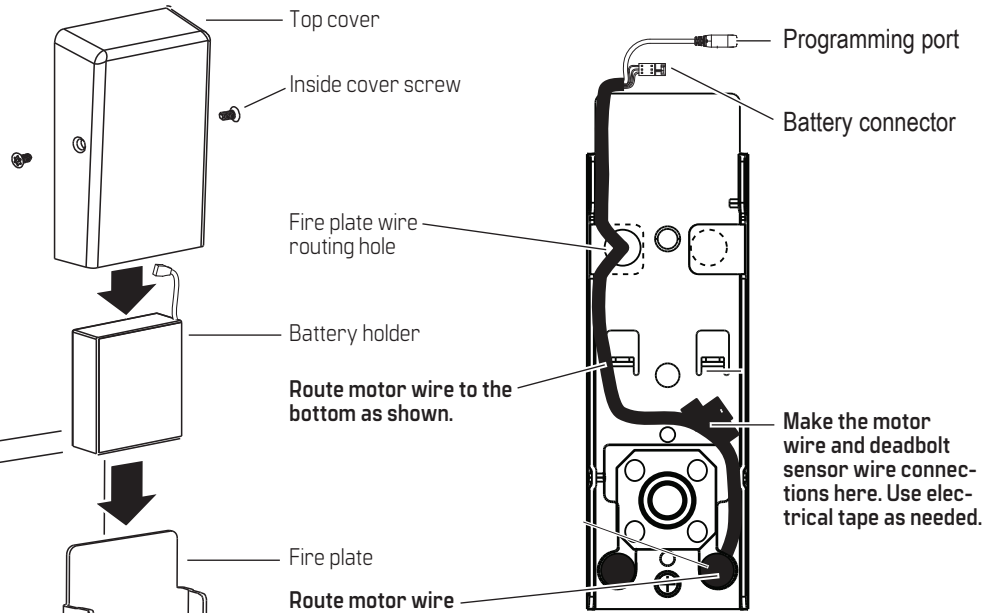
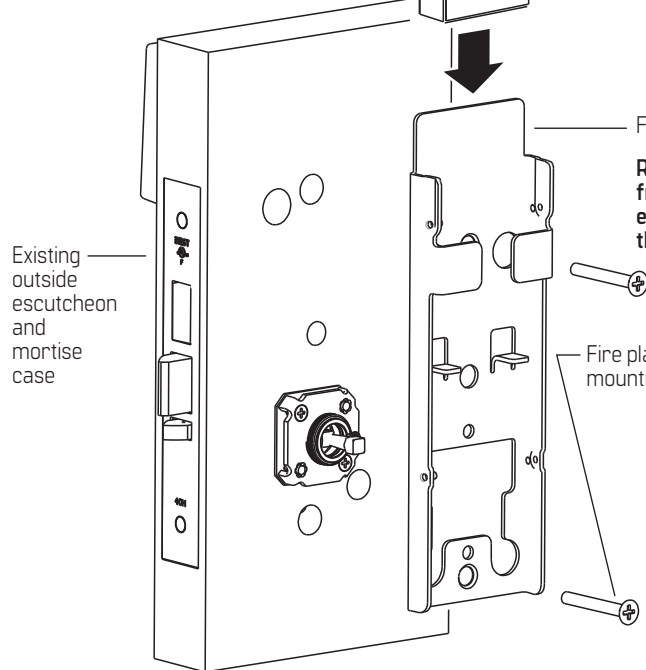
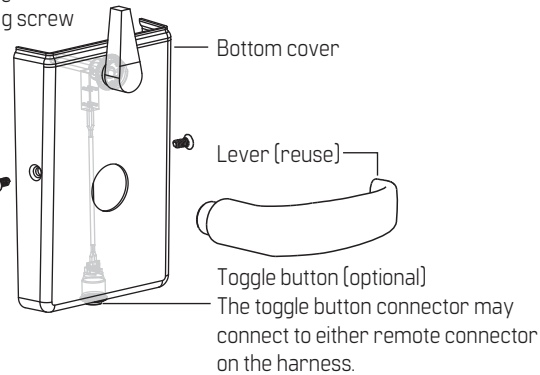


Fig 2—Inside view of fire plate showing wire routing



Components in the Box

- Top cover
- Bottom cover
- Fire plate with mounting screws (qty. 2)
- Battery holder with batteries
- Inside cover screws (qty. 4)
- Self wrapping sleeving

Conversion Instructions for Mortise Electronic Inside Escutcheons

Remove old inside escutcheon.

- 1 Remove the inside lever. Save and reuse.
- 2 Remove the battery door.
- 3 Remove the inside escutcheon.
- 4 Disconnect the wires.

Install new inside two-piece escutcheon. (top cover and bottom cover)

- 1 Route wires through the fire plate hole. See Figure 2.
- 2 Mount the fire plate.
- 3 Connect the motor and deadbolt sensing wire.
- 4 Route wires on fire plate. See Figure 2 for the proper routing of the wires.
- 5 Install the bottom cover.
- 6 Install inside lever.
- 7 Install the battery holder from the top of the fire plate.
- 8 Connect the battery wire.
- 9 Install the top cover.



For Online Instructions Visit:
<https://dhwsupport.dormakaba.com/hc/en-us>
 For Assistance or Warranty Information:
 Call 1-800-392-5209



Para obtener instrucciones línea, visite:
<https://dhwsupport.dormakaba.com/hc/en-us>
 Para obtener asistencia o información de la garantía:
 Llame al 1-800-392-5209



Pour obtenir des directives en ligne, consultez le site :
<https://dhwsupport.dormakaba.com/hc/en-us>
 Pour obtenir de l'aide ou des renseignements sur la garantie :
 Appelez au 1-800-392-5209 ou consultez le site

⚠ Warning: This Manufacturer advises that no lock can provide complete security by itself. This lock may be defeated by forcible or technical means, or evaded by entry elsewhere on the property. No lock can substitute for caution, awareness of your environment, and common sense. Builder's hardware is available in multiple performance grades to suit the application. In order to enhance security and reduce risk, you should consult a qualified locksmith or other security professional.

⚠ Advertencia: Este fabricante hace saber que no hay cerraduras que puedan proporcionar seguridad completa por sí misma. Esta cerradura puede fallar forzandola o utilizando medios técnicos o entrando por otra parte del edificio. No hay cerraduras que puedan sustituir precaución, estar al tanto de su entorno y sentido común. Este fabricante también ofrece cerraduras de diferentes grados y rendimientos para ajustarse a su aplicación. Para mejorar la seguridad y reducir riesgos, usted debe consultar con un cerrajero especializado u otro profesional de seguridad.

⚠ Avertissement: Le fabricant tient à vous aviser qu'aucun verrou ne peut à lui seul offrir une sécurité complète. Ce verrou peut être mis hors d'état par la force ou des moyens techniques ou être évité par l'utilisation d'une autre entrée sur la propriété. Aucun verrou ne peut remplacer la surveillance de votre environnement et le bon sens. La quincaillerie pour le constructeur est offerte selon différents grades de performance pour différentes applications. Afin d'augmenter la sécurité et de réduire le risque, vous devez consulter un serrurier qualifié ou un autre professionnel de la sécurité.