

Installation Instructions

PS-501 Power Supply

Specifications

The PS-501 is a continuous duty 36 VDC power supply. The standard unit can operate (2) 9000 Series exit devices. An optional second card can be added in the field to allow an additional (2) exit devices. Built in delay time adjustable from zero (0) to five (5) minutes.

***NOTE: "ES" 9000 SERIES EXIT DEVICES MUST USE PS-501 SUPPLY ONLY.**

Input: 110/120 VAC @ 60 Hz - 1 Amp circuit breaker
 One dry contact input and one wet contact (12-24VDC input) for each output.

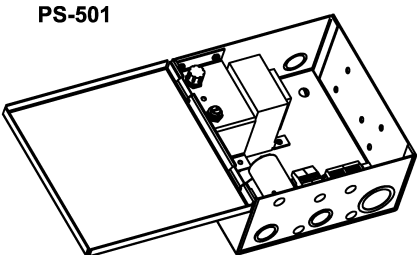
Output: 36 VDC - 4 Amp/250V Slow Blow Fuse
 Solenoid inrush current: 14-18 amps for .20 seconds then 1 amp holding current.

Minimum recommended wire size is 18# GA. Terminals will handle up to 12# GA. **Maximum** wire run distance recommended is 100 feet between device and PS-501 power supply.

Two output modes selectable:

Mode 1: Outputs "A" & "B" operate from Input "A" or "B". Second exit device will release within .5 seconds of first device.

Mode 2: Output "A" operates from Input "A". Output "B" operates from Input "B".



OPTIONAL: ES2 CARD

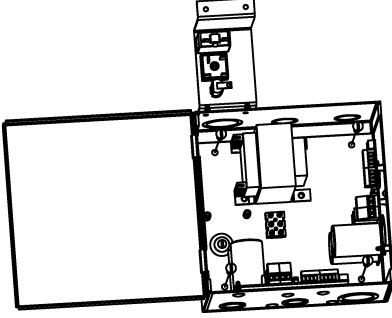


Maximum Wire Length From Power Supply To Device In Feet x Wire Gage/Size				
WIRE	18GA	16GA	14GA	12GA
FEET	25	50	75	100

Installation

Step 1: Mounting Power Supply

Remove screws from the fuse bracket and flip bracket toward top as shown, to access left top mounting hole.
 Install power supply with (4) four screw (supplied).
 Re-install fuse bracket. Be sure to check all wire connections on fuse bracket assembly.



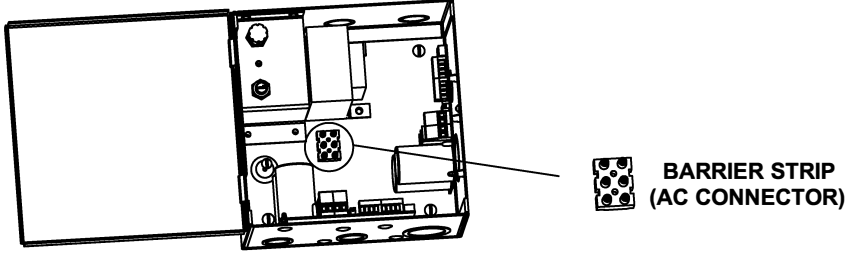
Installation Instructions

PS-501 Power Supply (continued)

Step 2: AC POWER CONNECTION

Always insure that power is off, prior to making any electrical connections!
Ensure breaker is open.
Use wire suitable for at least 90 C temperature.

Connect AC power to barrier strip as shown below.
***NOTE:** Maintain 1/4" spacing between all wiring.

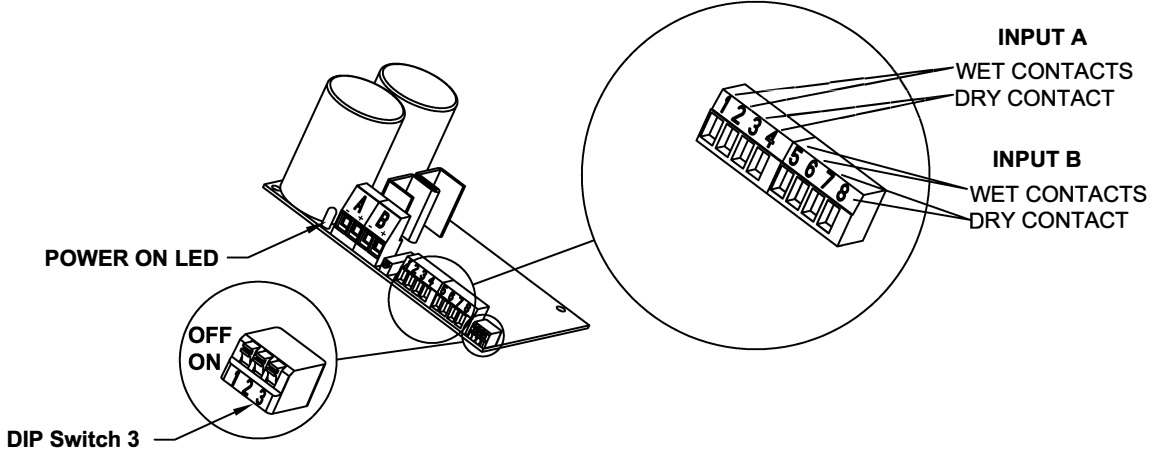


Step 3: SETTING INPUT MODE

Mode 1: Outputs "A" and "B" operate from Input "A" or "B".
Mode 2: Output "A" operates from Input "A". Output "B" operates from Input "B".

To set as Mode 1, place DIP Switch 3 in the off position. For Mode 2 operation set DIP Switch 3 in the on position, (See below).

Each output has two inputs: one dry contact that actuates output and one wet contact (12-24VDC Input) that actuates output.

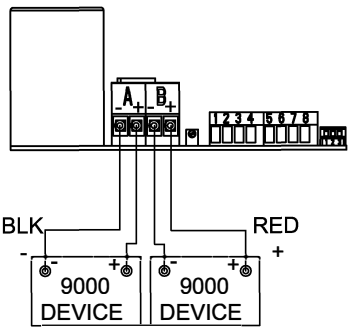
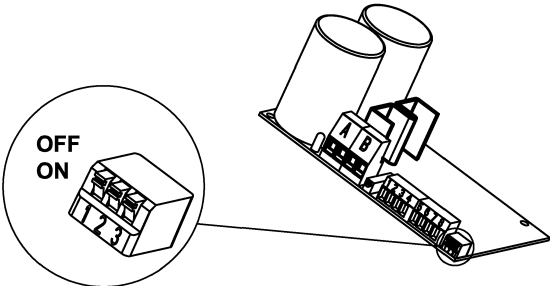


Installation Instructions

PS-501 Power Supply (continued)

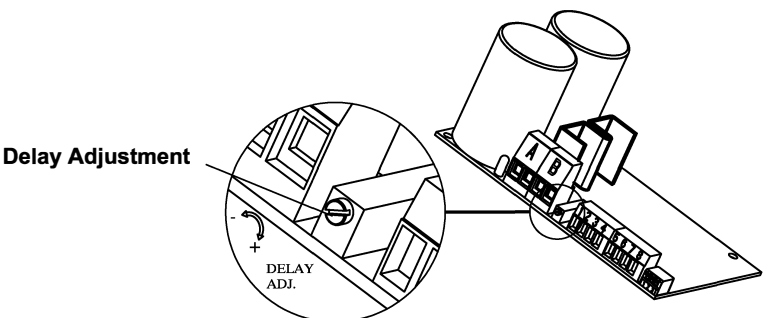
Step 4: SELECTING OUTPUT MODE

DIP SWITCH NO.	OFF	
1	Output "A": "ES" Device	
2	Output "B": "ES" Device	



Step 5: SETTING DELAY FOR RE-LOCKING TIME

Re-locking time can be set from "0" seconds to "5" minutes. Adjust potentiometer as shown below. Clock-wise to increase delay time, and counter clock-wise to decrease delay time.



Installation Instructions

PS-501 Power Supply (continued)

Step 6: CHECKING FUNCTION

Close AC breaker and check "ES" device operation. (See device instructions if adjustment to device is required.)

Installation of second card

Disconnect power prior to making any connections.

Open power supply cover.

Locate (2) unused wires coming from the diode and connect them properly to the second ES card. Red to positive terminal and black to negative terminal. Slide second ES2 card along the right side of the box and attach it to the side with the plastic rivets in the holes provided. Start with the lower rivets first.

