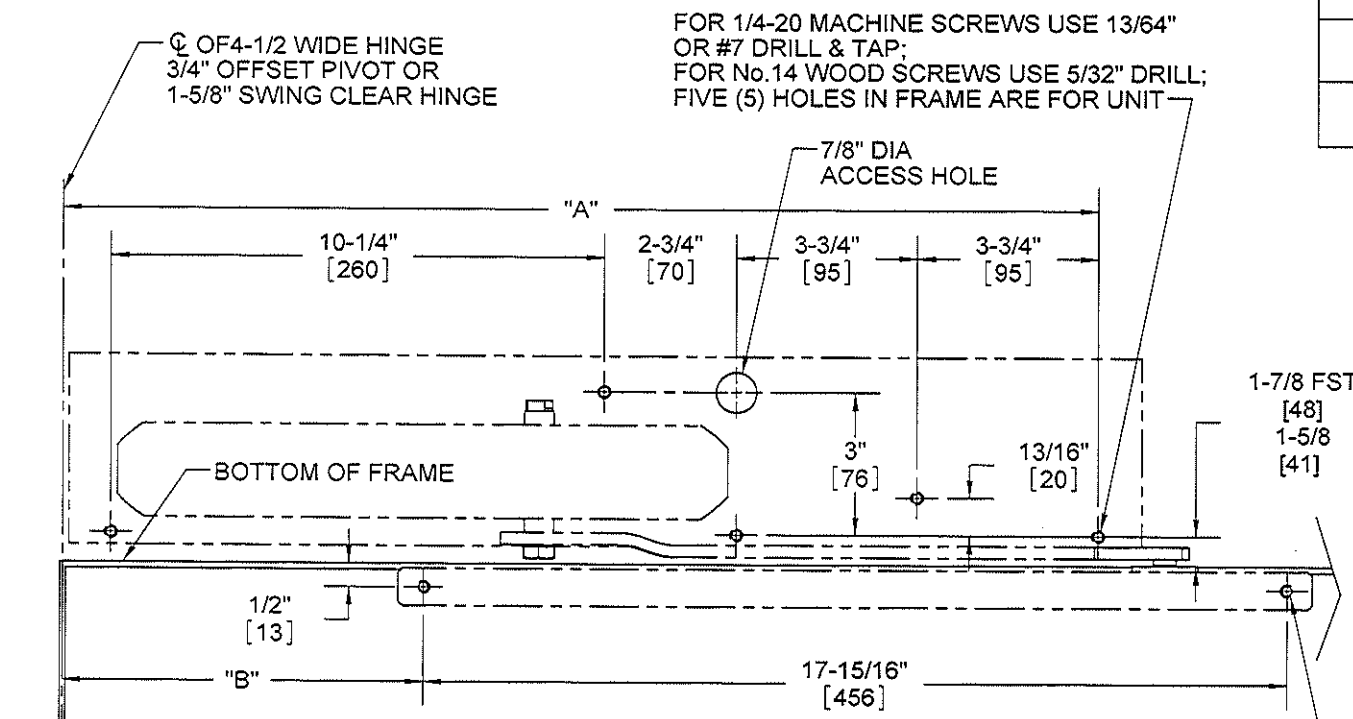


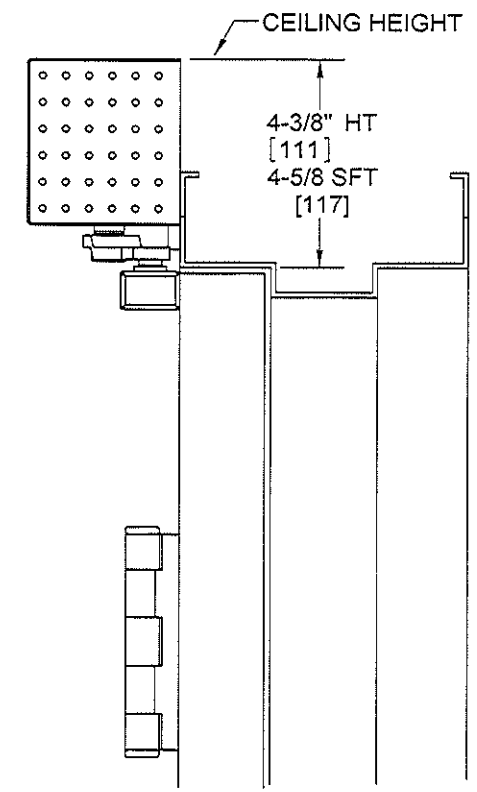
ANGLE OF OPENING	DIM "A" (UNIT)	DIM "B" (TRACK)	HOLD OPEN RANGE
85°	21-1/2 [546]	8-5/8" [219]	30-83°
90°	21-1/2" [546]	7-1/2" [190]	30-88°
110°	20" [508]	6-7/8" [175]	30-108°
180°	19" [483]	4" [102]	30-160°



FOR 1/4-20 MACHINE SCREWS USE 13/64"
 OR #7 DRILL & TAP;
 FOR No.14 WOOD SCREWS USE 5/32" DRILL;
 FIVE (5) HOLES IN FRAME ARE FOR UNIT

FOR 1/4-20 MACHINE SCREWS USE 13/64"
 OR #7 DRILL & TAP;
 FOR No.14 WOOD SCREWS, USE 5/32" DRILL;
 FOR SEX NUTS, USE 3/8" DRILL;
 TWO (2) HOLES IN DOOR ARE FOR TRACK

- NOTES:
- 1) DO NOT SCALE THIS DRAWING
 - 2) DIMENSIONS ARE IN INCHES / [MM]
 - 3) RIGHT HAND DOOR IS SHOWN
 - 4) CAUTION: SEX NUTS ARE REQUIRED FOR ATTACHMENT OF COMPONENTS TO UNREINFORCED DOORS AND TO WOOD OR PLASTIC FACE COMPOSITE TYPE FIRE DOORS, UNLESS AN ALTERNATIVE METHOD IS IDENTIFIED IN THE INDIVIDUAL DOOR MANUFACTURER'S LISTINGS.
 - 5) MAX. OPENING IS 180 DEGREES WITHOUT RUBBER STOP (150 WITH STOP).



Always consult DORMA's web site for latest template at www.dorma-usa.com or call 1-800-523-8483.

DOOR CLOSER MODELS: 8656 HT, 1856 SFT Less than 2" frame face
 1856 HT SD, 1856 SFT SD Less than 2" frame face
 TRACK INSTALLATION (PULL SIDE MOUNT - RIGHT HAND DOOR)



DORMA Architectural Hardware
 Reamstown, PA 17567