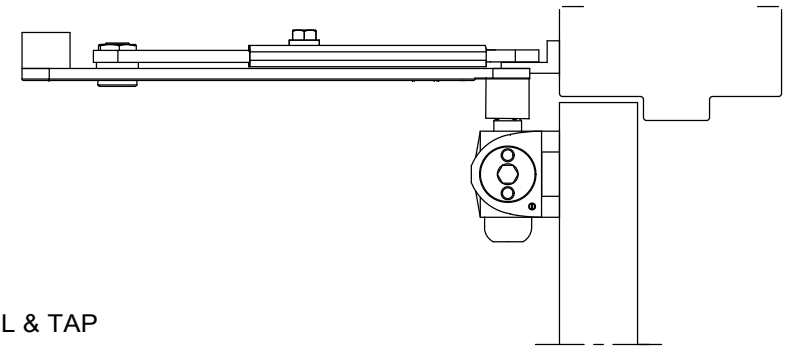
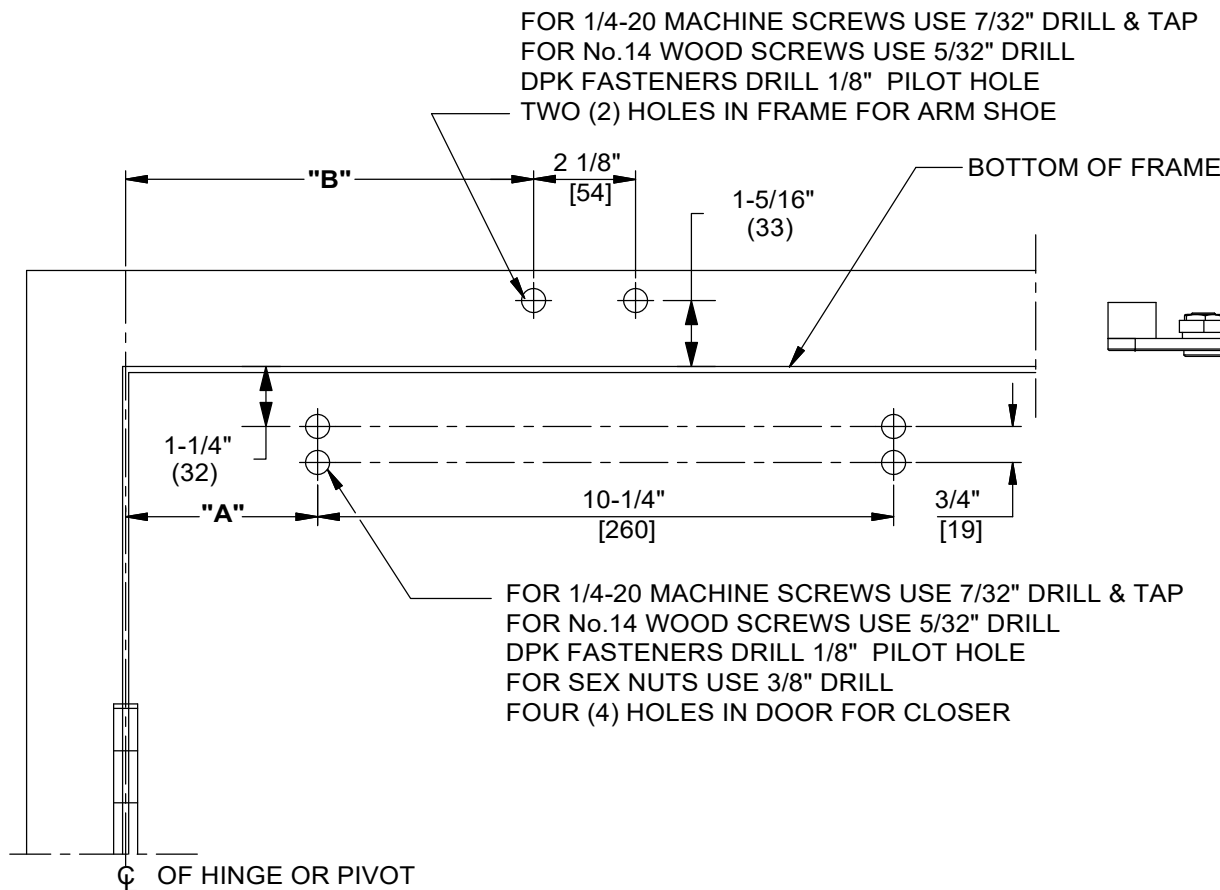


NOTES:

1. DO NOT SCALE DRAWING.
2. DIMENSIONS ARE IN INCHES/(MM).
3. RIGHT HAND DOOR SHOWN.
4. CAUTION: SEX NUTS ARE REQUIRED FOR ATTACHMENT OF COMPONENTS TO UNREINFORCED DOORS AND TO WOOD OR PLASTIC FACED COMPOSITE TYPE FIRE DOORS, UNLESS AN ALTERNATIVE METHOD IS IDENTIFIED IN THE INDIVIDUAL DOOR MANUFACTURER'S LISTINGS.
5. OPTIONAL DPK FASTENERS (DPK86) FOR STEEL DOOR & FRAME ONLY.

DEGREE OF DEAD STOP	DIM. "A" CLOSER	DIM. "B" ARM SHOE
85°	8-1/8 (206)	13-7/8 (352)
90°	7-1/2 (191)	13-1/2 (343)
95°	6-11/16 (170)	13-1/4 (337)
100°	6-5/8 (168)	12-5/8 (321)
105°	6-1/8 (156)	12-1/4 (311)
110°	5-3/4 (146)	11-7/8 (302)



DOOR CLOSER MODELS: 7400 IS, ISH
 REGULAR INSTALLATION (PULL SIDE MOUNT)
 INTEGRA STOP ARM