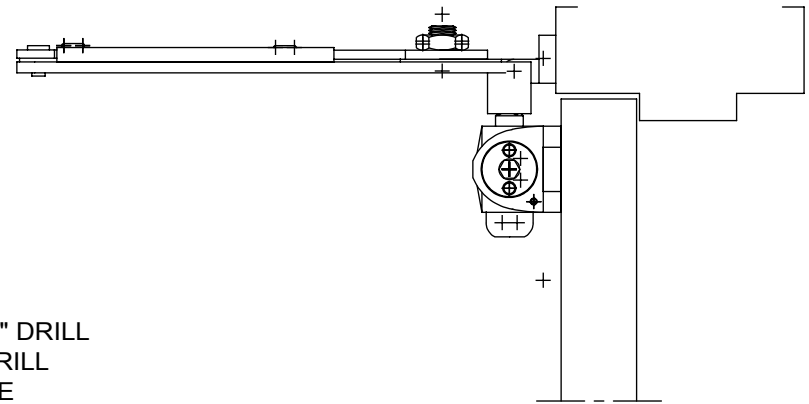
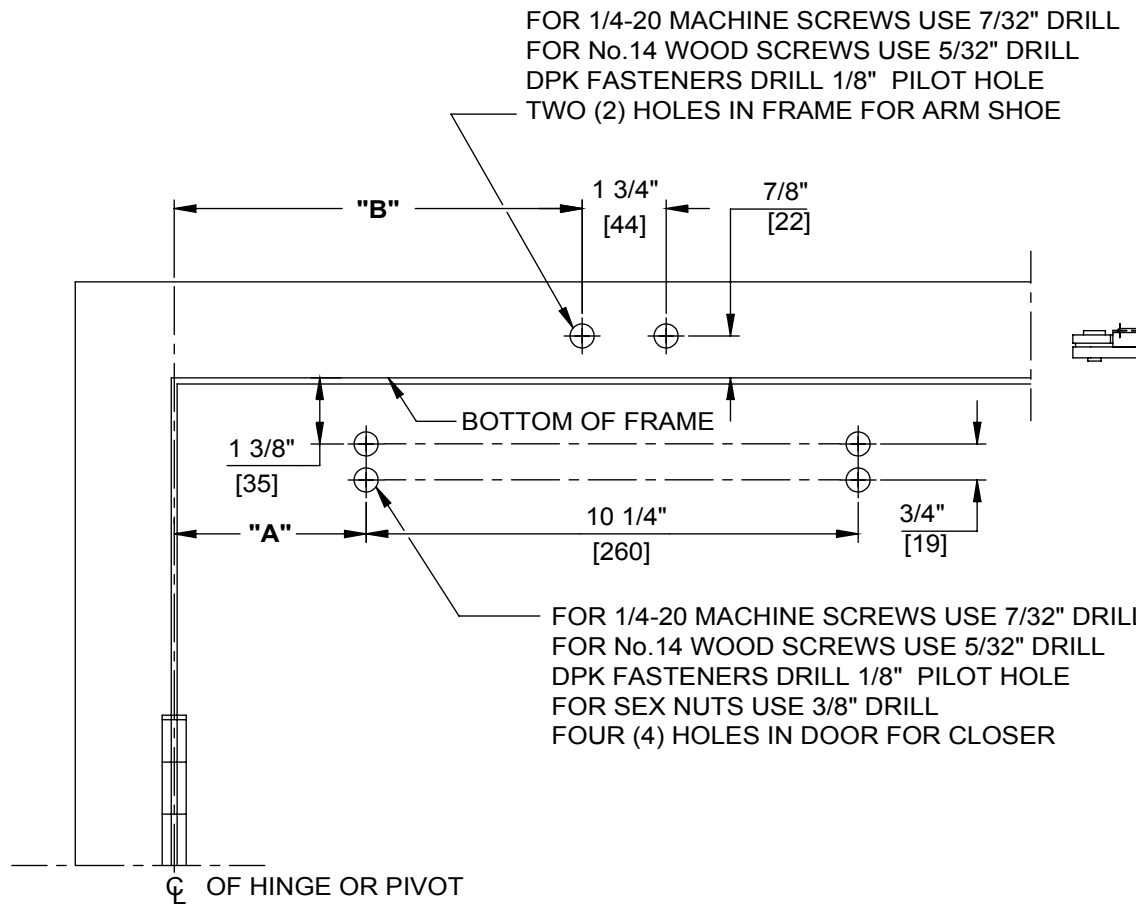


ANGLE OF OPENING	DIM. "A" CLOSER	DIM. "B" ARM SHOE
TO 100°	$\frac{7-1/2}{(191)}$	$\frac{13}{(330)}$
100° TO 120°	$\frac{6-1/2}{(165)}$	$\frac{12}{(305)}$
OVER 120°	$\frac{4}{(102)}$	$\frac{9-1/2}{(241)}$



NOTES:

1. DO NOT SCALE DRAWING.
2. DIMENSIONS ARE IN INCHES/(MM).
3. RIGHT HAND DOOR SHOWN.
4. CAUTION: SEX NUTS ARE REQUIRED FOR ATTACHMENT OF COMPONENTS TO UNREINFORCED DOORS AND TO WOOD OR PLASTIC FACED COMPOSITE TYPE FIRE DOORS, UNLESS AN ALTERNATIVE METHOD IS IDENTIFIED IN THE INDIVIDUAL DOOR MANUFACTURER'S LISTINGS.
5. MAX. OPENING IS 180°.
6. OPTIONAL DPK FASTENERS (DPK86) FOR STEEL DOOR & FRAME ONLY.

DOOR CLOSER MODELS: 7414, 7436 FH
 REGULAR INSTALLATION (PULL SIDE MOUNT)