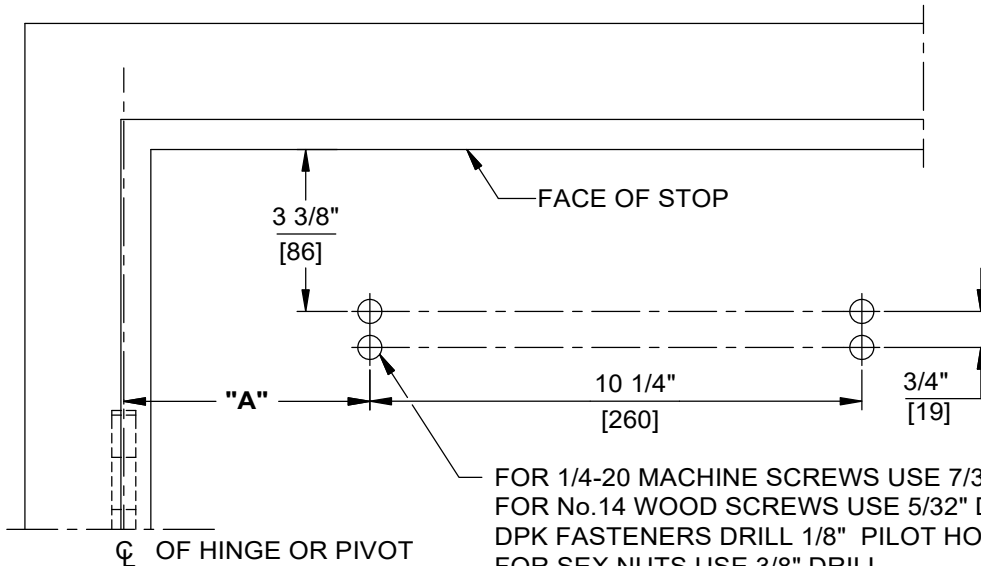


FOR 1/4-20 MACHINE SCREWS USE 7/32" DRILL  
 FOR No.14 WOOD SCREWS USE 5/32" DRILL  
 DPK FASTENERS DRILL 1/8" PILOT HOLE  
 FOUR (4) HOLES IN FRAME FOR PA BRACKET

NOTES:

1. DO NOT SCALE DRAWING.
2. DIMENSIONS ARE IN INCHES/(MM).
3. LEFT HAND DOOR SHOWN.
4. CAUTION: SEX NUTS ARE REQUIRED FOR ATTACHMENT OF COMPONENTS TO UNREINFORCED DOORS AND TO WOOD OR PLASTIC FACED COMPOSITE TYPE FIRE DOORS, UNLESS AN ALTERNATIVE METHOD IS IDENTIFIED IN THE INDIVIDUAL DOOR MANUFACTURER'S LISTINGS.
5. MAX. OPENING IS 180°.
6. OPTIONAL DPK FASTENERS (DPK86) FOR STEEL DOOR & FRAME ONLY.

ANGLE OF OPENING	DIM. "A" CLOSER	DIM."B" BRACKET
0° TO 100°	5-7/8 (149)	9-1/4 (335)
100° TO 120°	4-3/8 (111)	7-3/4 (197)
OVER 120°	3-3/8 (86)	6-3/4 (171)



FOR 1/4-20 MACHINE SCREWS USE 7/32" DRILL  
 FOR No.14 WOOD SCREWS USE 5/32" DRILL  
 DPK FASTENERS DRILL 1/8" PILOT HOLE  
 FOR SEX NUTS USE 3/8" DRILL  
 FOUR (4) HOLES IN DOOR FOR CLOSER

