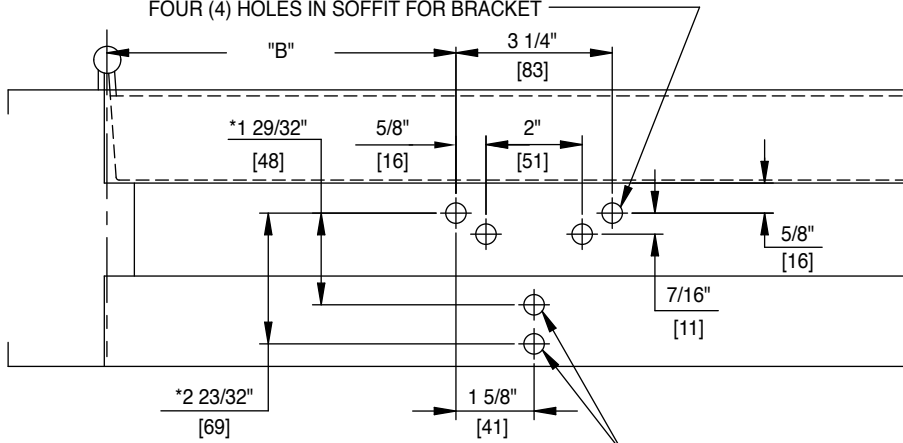


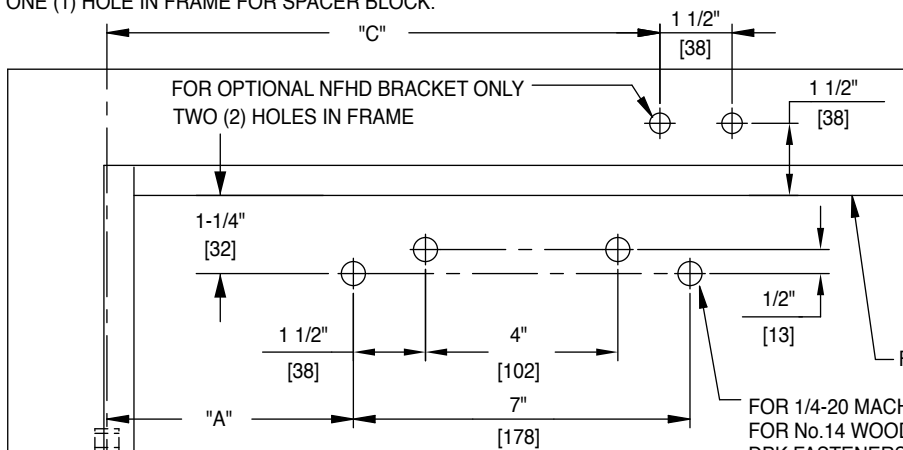
**Door Closer Models: SL6014 and SL6036 DS, DST, S-DS, S-DST**  
**Door Saver Parallel Arm (Push Side Mount)**  
**with Plates DP60 and Standard Spacer Block**  
**Optional NFHD Bracket and BSHD Blade Stop Spacer Block**  
**Template/Drilling Instructions**

Always consult BEST's website for the latest template at  
<https://dhwsupport.dormakaba.com/hc/en-us> or call 1-800-392-5209.

FOR 1/4-20 MACHINE SCREWS USE 7/32" DRILL & TAP  
 FOR No.14 WOOD SCREWS USE 5/32" DRILL  
 DPK FASTENERS DRILL 1/8" PILOT HOLE  
 FOUR (4) HOLES IN SOFFIT FOR BRACKET



\*IMPORTANT: CHOOSE APPROPRIATE HOLE LOCATION  
 FOR SPACER BLOCK, IN ACCORDANCE WITH FRAME WIDTH.  
 ONE (1) HOLE IN FRAME FOR SPACER BLOCK.



FOR 1/4-20 MACHINE SCREWS USE 7/32" DRILL & TAP  
 FOR No.14 WOOD SCREWS USE 5/32" DRILL  
 DPK FASTENERS DRILL 1/8" PILOT HOLE  
 FOR SEX NUTS USE 3/8" DRILL  
 FOUR (4) HOLES IN DOOR FOR PLATE

ANGLE OF DOOR OPENING DEADSTOP	DIM. "A" PLATE	DIM. "B" SOFFIT PLATE	DIM. "C" (NFHD) BRACKET OPTIONAL
85°	9-5/8 (244)	11 (279)	11-7/8 (302)
90°	8-7/8 (225)	10-1/4 (260)	11-1/8 (283)
100°	7-5/8 (200)	9 (229)	9-7/8 (251)
110°	6-1/2 (165)	7-7/8 (200)	8-3/4 (222)

- NOTES:
- DO NOT SCALE DRAWING.
  - DIMENSIONS ARE IN INCHES/(MM).
  - LEFT HAND DOOR SHOWN.
  - CAUTION: SEX NUTS ARE REQUIRED FOR ATTACHMENT OF COMPONENTS TO UNREINFORCED DOORS AND TO WOOD OR PLASTIC FACED COMPOSITE TYPE FIRE DOORS, UNLESS AN ALTERNATIVE METHOD IS IDENTIFIED IN THE INDIVIDUAL DOOR MANUFACTURER'S LISTINGS.
  - FOR FRAME WIDTHS 4-1/2" AND LESS USE OPTIONAL (NFHD) BRACKET.
  - MINIMUM DOOR WIDTH 26".
  - TEMPLATE BASED ON 4-1/2" x 4-1/2" BUTT HINGES.
  - HOLD OPEN APPROX. 2 DEG LESS THAN DEAD STOP.
  - OPTIONAL DPK FASTENERS (FOR STEEL DOOR & FRAME ONLY.)

