

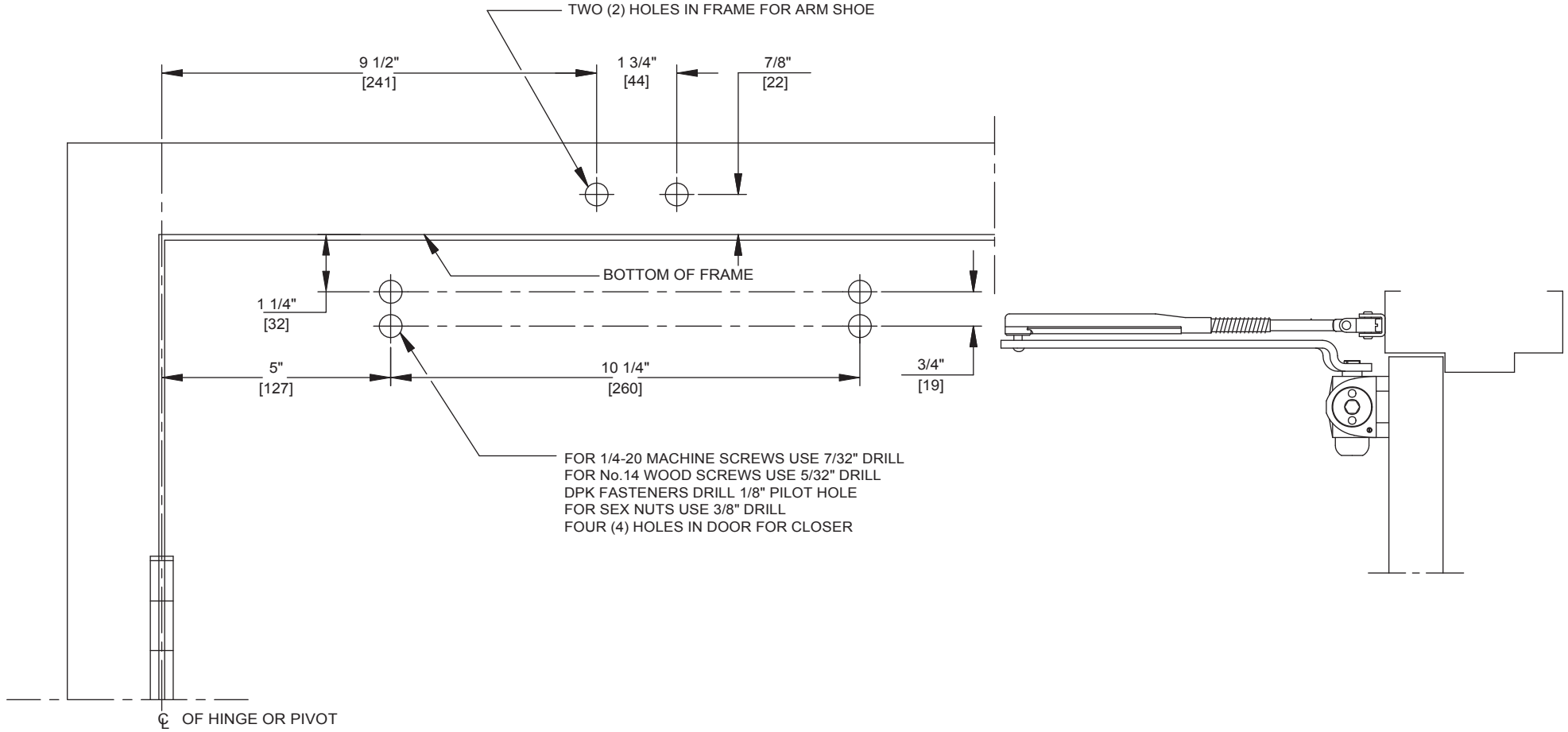
**Door Closer Models: SL6014 and SL6036**  
**AR, A08 Regular (Pull Side Mount)**  
**Template/Drilling Instructions**

Always consult BEST's website for the latest template at  
<https://dhwsupport.dormakaba.com/hc/en-us> or call 1-800-392-5209.

- NOTES:
1. DO NOT SCALE DRAWING.
  2. DIMENSIONS ARE IN INCHES/(MM).
  3. RIGHT HAND DOOR SHOWN.
  4. CAUTION: SEX NUTS ARE REQUIRED FOR ATTACHMENT OF COMPONENTS TO UNREINFORCED DOORS AND TO WOOD OR PLASTIC FACED COMPOSITE TYPE FIRE DOORS, UNLESS AN ALTERNATIVE METHOD IS IDENTIFIED IN THE INDIVIDUAL DOOR MANUFACTURER'S LISTINGS.
  5. MAX. OPENING IS 180°.
  6. DPK SELF-DRILLING FASTENERS FOR STEEL DOOR & FRAME ONLY (INCLUDED WITH EVERY CLOSER).

FOR 1/4-20 MACHINE SCREWS USE 7/32" DRILL  
 FOR No.14 WOOD SCREWS USE 5/32" DRILL  
 DPK FASTENERS DRILL 1/8" PILOT HOLE  
 TWO (2) HOLES IN FRAME FOR ARM SHOE

FOR 1/4-20 MACHINE SCREWS USE 7/32" DRILL  
 FOR No.14 WOOD SCREWS USE 5/32" DRILL  
 DPK FASTENERS DRILL 1/8" PILOT HOLE  
 FOR SEX NUTS USE 3/8" DRILL  
 FOUR (4) HOLES IN DOOR FOR CLOSER



**Door Closer Models: SL6014 and SL6036**  
**AR, A08 Regular (Pull Side Mount)**  
**with Plate BP60**  
**Template/Drilling Instructions**

Always consult BEST's website for the latest template at  
<https://dhwsupport.dormakaba.com/hc/en-us> or call 1-800-392-5209.

- NOTES:
1. DO NOT SCALE DRAWING.
  2. DIMENSIONS ARE IN INCHES/(MM).
  3. RIGHT HAND DOOR SHOWN.
  4. CAUTION: SEX NUTS ARE REQUIRED FOR ATTACHMENT OF COMPONENTS TO UNREINFORCED DOORS AND TO WOOD OR PLASTIC FACED COMPOSITE TYPE FIRE DOORS, UNLESS AN ALTERNATIVE METHOD IS IDENTIFIED IN THE INDIVIDUAL DOOR MANUFACTURER'S LISTINGS.
  5. MAX. OPENING IS 180°.
  6. DPK SELF-DRILLING FASTENERS FOR STEEL DOOR & FRAME ONLY (INCLUDED WITH EVERY CLOSER).

