

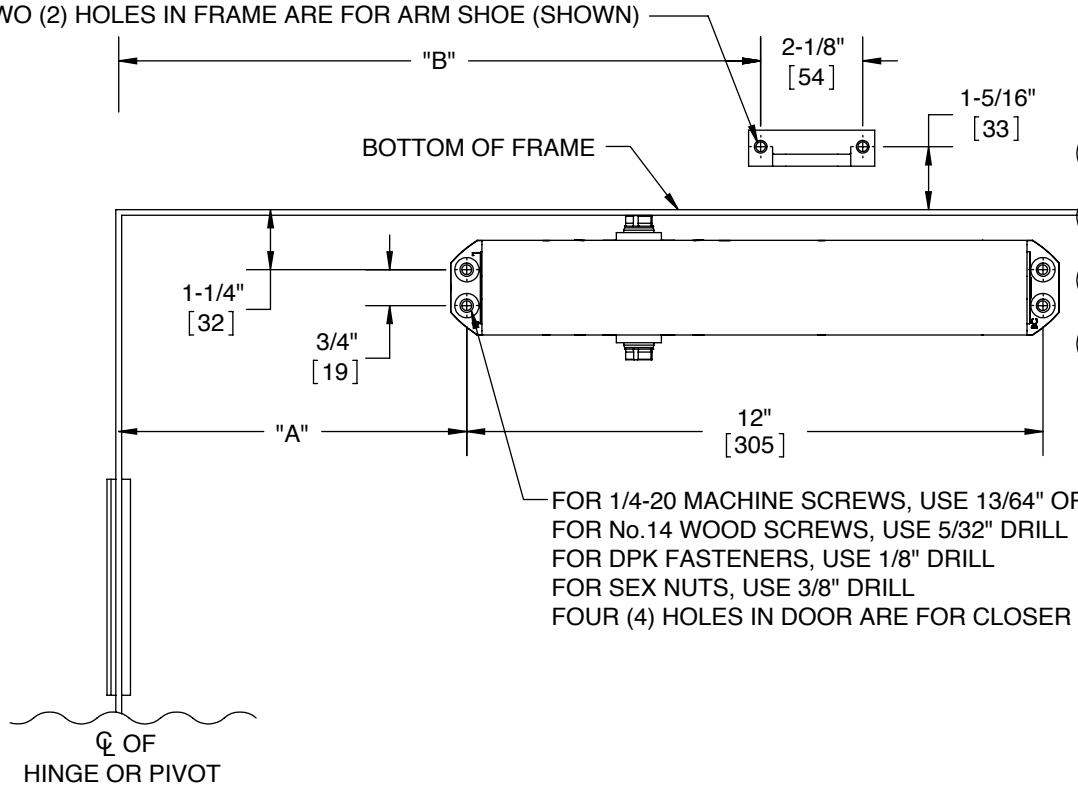
**Door Closer Models: HD7016 ISH  
Regular (Pull Side Mount)  
Integra Cushion Arm  
Template/Drilling Instructions**

Always consult BEST's website for the latest template  
at <https://dhwsupport.dormakaba.com/hc/en-us> or call 1-800-392-5209.

**NOTES:**

- 1) DO NOT SCALE THIS DRAWING
- 2) DIMENSIONS ARE IN INCHES / [MM]
- 3) RIGHT HAND DOOR IS SHOWN
- 4) CAUTION: SEX NUTS ARE REQUIRED FOR ATTACHMENT OF COMPONENTS TO UNREINFORCED DOORS AND TO WOOD OR PLASTIC FACE COMPOSITE TYPE FIRE DOORS, UNLESS AN ALTERNATIVE METHOD IS IDENTIFIED IN THE INDIVIDUAL DOOR MANUFACTURER'S LISTINGS.
- 5) DPK FASTENERS FOR STEEL DOOR & FRAME ONLY.

FOR 1/4-20 MACHINE SCREWS, USE 13/64" OR #7 DRILL & TAP  
FOR No.14 WOOD SCREWS, USE 5/32" DRILL  
FOR DPK FASTENERS, USE 1/8" DRILL  
TWO (2) HOLES IN FRAME ARE FOR ARM SHOE (SHOWN)



FOR 1/4-20 MACHINE SCREWS, USE 13/64" OR #7 DRILL & TAP  
FOR No.14 WOOD SCREWS, USE 5/32" DRILL  
FOR DPK FASTENERS, USE 1/8" DRILL  
FOR SEX NUTS, USE 3/8" DRILL  
FOUR (4) HOLES IN DOOR ARE FOR CLOSER (SHOWN)

ANGLE OF HOLD OPEN	ANGLE OF CUSHION	DIMENSION "A" (CLOSER)	DIMENSION "B" (ARM SHOE)
85°	86° - 88°	$\frac{7-1/4"}{[184]}$	$\frac{13-3/8"}{[340]}$
90°	91° - 93°	$\frac{6-5/8"}{[168]}$	$\frac{12-3/4"}{[324]}$
95°	96° - 98°	$\frac{6-1/8"}{[156]}$	$\frac{12-3/8"}{[314]}$
100°	101° - 103°	$\frac{5-3/4"}{[146]}$	$\frac{11-7/8"}{[302]}$
105°	106° - 108°	$\frac{5-3/8"}{[137]}$	$\frac{11-1/2"}{[292]}$
110°	111° - 113°	$\frac{5"}{[127]}$	$\frac{11-1/8"}{[383]}$

